

# Parts Catalogue

Petrol Cassette Mower

FT430 / FT510 /  
FT610



# TABLE OF CONTENTS

1. MAIN CHASSIS . . . . .	4	17. VERTICUTTER CASSETTE . . . . .	36
2. CHASSIS - LH SIDE PLATE . . . . .	6	18. SCARIFIER CASSETTE . . . . .	38
3. CHASSIS - RH SIDE PLATE . . . . .	8	19. SLITTER CASSETTE . . . . .	40
4. CUTTER ENGAGEMENT . . . . .	10	20. BRUSH CASSETTE . . . . .	42
5. FRONT ROLLER - MAIN ASSEMBLY . . . . .	12	21. SORREL ROLLER CASSETTE . . . . .	44
6. GRASSBOX . . . . .	14		
7. GUARDS . . . . .	16		
8. HANDLEBARS - MAIN ASSEMBLY . . . . .	18		
9. ENGINE AND DRIVE COMPONENTS . . . . .	20		
10. CENTRIFUGAL CLUTCH (>06/2013) . . . . .	22		
11. REAR ROLLER - MAIN ASSEMBLY . . . . .	24		
12. REAR ROLLER - ROLLER ASSEMBLY . . . . .	26		
13. REAR ROLLER - OUTER ROLLER ASSEMBLY . . . . .	28		
14. REAR ROLLER - LH DIFFERENTIAL . . . . .	30		
15. REAR ROLLER - RH DIFFERENTIAL . . . . .	32		
16. CUTTER CASSETTE . . . . .	34		

Copyright © 2004-2025 by Howardson Group Ltd. All Rights Reserved.

This document and all content within it, is protected by copyright and is the property of Howardson Group Ltd. You may not distribute, modify, transmit, copy or use the content of this document in any way, electronic or otherwise, whether in whole or in part, for commercial purposes or for personal gain. Any storage, reproduction or redistribution of the content by any means is prohibited without prior written consent from Howardson Group Ltd. You may store extracts from this document for your personal use only.

While every effort has been made to ensure the accuracy and completeness of the information contained in this document, we assume no responsibility or liability for errors or omissions. The information provided is on an "as is" basis without any warranties of any kind, either expressed or implied. We reserve the right to make changes to the product and its documentation at any time without prior notice. This includes, but is not limited to, modifications to the design, specifications, and functionality of the product. The latest version of the document will be available on our website or through our customer service department. Some imagery may not reflect the actual product you have.

### Using this document

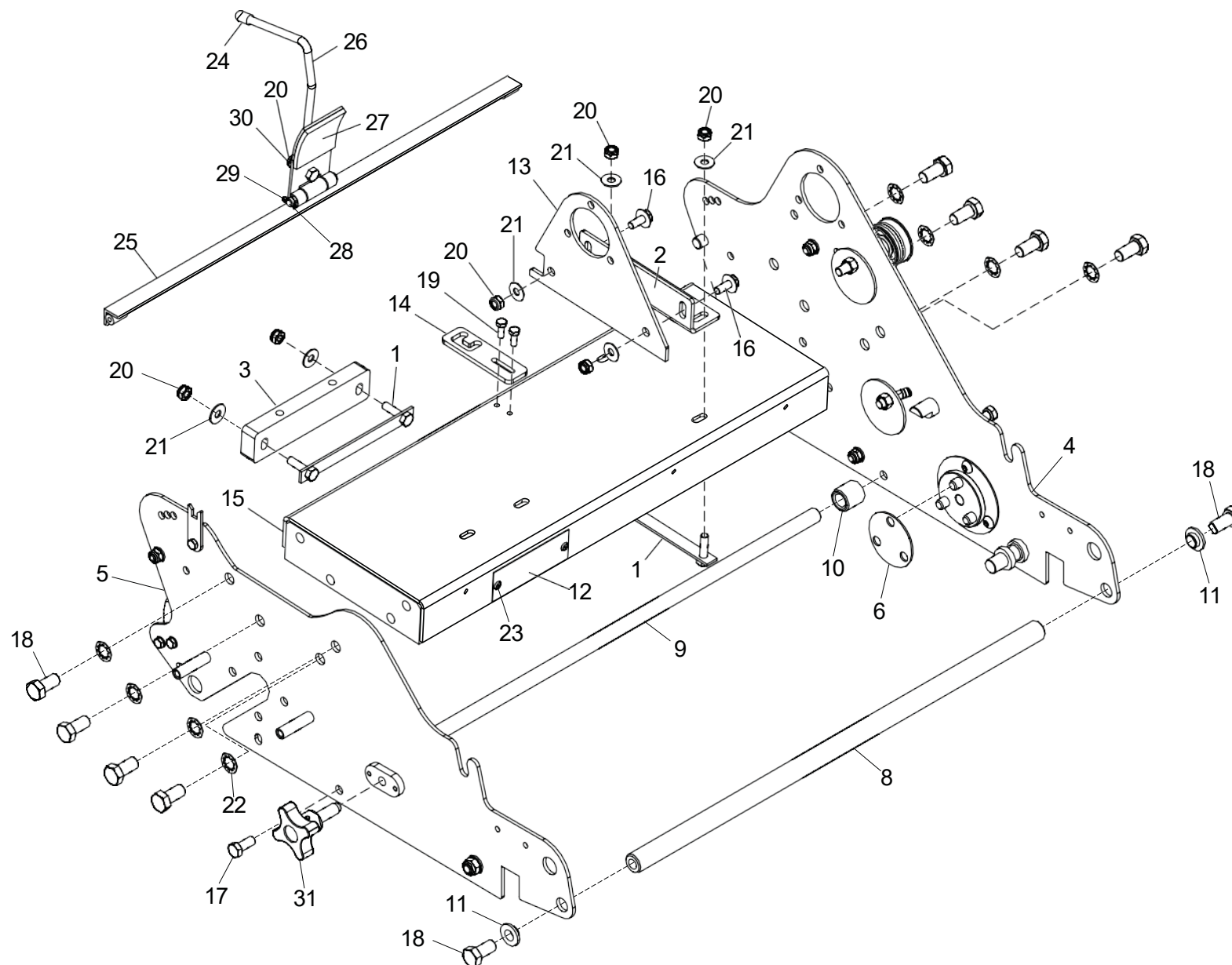
Parts are identified with a callout which corresponds to 'Item no.' on the parts table. This table may be on a subsequent page. Most parts are applicable to all three models, however where they are not, this is noted.

Parts marked with an asterisk (\*) are shown in further detail later in this document and are noted as such.

To order replacement parts, please quote your serial number, the part number and the quantity required.

Revision Number	Date	Description of Changes	Author
0.0	12/DEC/2025	New	C.B.

# 1. MAIN CHASSIS

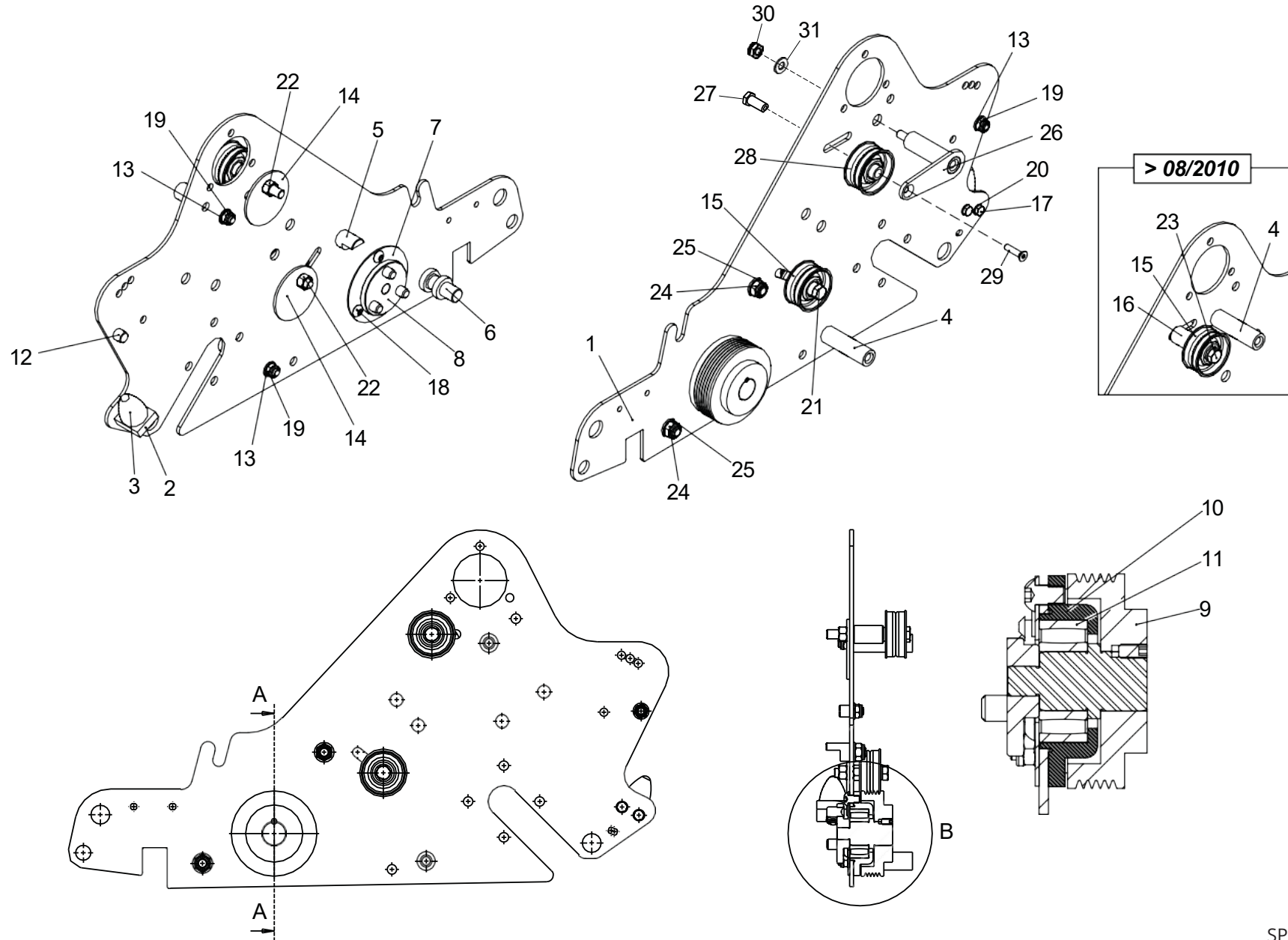


# 1. MAIN CHASSIS

Item No.	Part No.	Description	Quantity
1	229492	Retaining Plate Assy	2
2	230004	Support Bracket	1
3	230006	Support Plate Engine	1
4	See page 6	FT L.H. Side Plate Assembly	1
5	See page 8	FT R.H. Side Plate Assy	1
6	J20222	Cork Buffer	1
7	800104	Stop Pin Assy	1
8	J17235	Front Cross Bar (17")	1
8	J20235	Front Cross Bar (20")	1
8	J24235	Front Cross Bar (24")	1
9	J17236	Lower Unit Tie Bar (17")	1
9	J20236	Lower Unit Tie Bar (20")	1
9	J24236	Lower Unit Tie Bar (24")	1
10	J20263	Front Stud Spacer	1
11	J20292	Collar Front Tie Bar	2
12	J20297	Serial Number Plate	1
13	J209053	Support Plate	1
14	J209059	Gate	1
15	J179215	Engine Bed (17")	1
15	J209215	Engine Bed (20")	1
15	J249215	Engine Bed (24")	1
16	SP01009	Hex Set Screw M8 x 20	2
17	SP01011	Hex Set Screw 3/8" UNF x 3/4"	2
18	SP01053	Hex Set Screw 1/2" UNF x 1"	10
19	SP01055	Hex Taptite Screw M6 x 16	2
20	SP02006	Nut M8 Nyloc	7
21	SP03015	Washer M8 Form C	8
22	SP03023	Washer 1/2" Toothed	8
23	SP05001	Rivet 4.8 x 10	2
24	228094	End Tip 5/16"	1
25	J17251	Rear Scraper Bar Assy (17")	1
25	J20251	Rear Scraper Bar Assy (20")	1
25	J24251	Rear Scraper Bar Assy (24")	1
26	J209056	Hand Brake Lever	1
27	J209057	Brake	1
28	SP05014	Clevis Pin 3/8" x 2 1/2"	1
29	SP05010	Split Pin 1/8" x 1"	1
30	SP03008	Washer M8 Form A	1
31	800104	Cassette Retaining Screw	1

# 2. CHASSIS - LH SIDE PLATE

FT430 / FT510 / FT610  
PARTS CATALOGUE



# 2. CHASSIS - LH SIDE PLATE

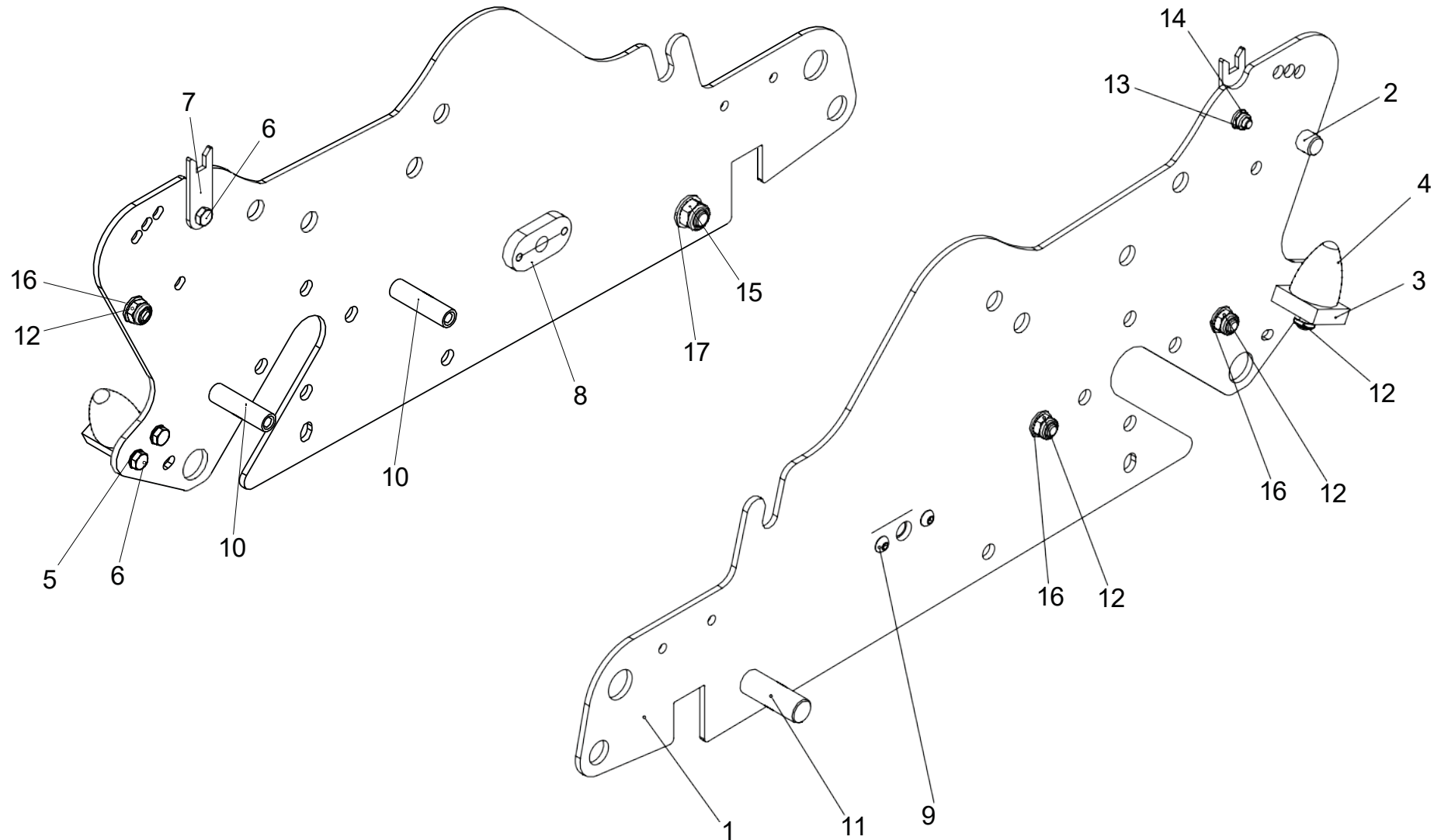
Item No.	Part No.	Description	Quantity	Not Shown		
1	J209253	Side Plate LH (FT)	1	-	J209003	3 Groove Drive Belt (Rear Roller) (> 08/2010) 1
1	J209218	Side Plate LH (Super Six)	1	-	J209005	5 Groove Drive Belt (Cylinder) 1
2	229741	Buffer Block	1	-	SP11023	3 Groove Drive Belt (Cylinder) (08/2010 >) 1
3	229742	Buffer	1			
4	J209072	Chain Case Stud (> 08/2010)	2			
5	J20216	Unit Limiting Stud	1			
6	J20238	Shoulded Bearing Stud (FT)	1			
6	J209110	Unit Bearing Stud (Super Six)	1			
7	J20008	Back Plate With Hole	1			
8	J20221	Male Coupling	1			
9	J209203	Cassette Driven Pulley / Shaft	1			
10	J209206	Cassette Drive Bearing Housing	1			
11	J20255	Bearing 5205 - 3205 2RS	1			
12	J20023	Unit Limiting Stud	1			
13	SP03008	Washer M8 Form A	3			
14	J209043	Tensioner Back Plate	2			
15	J209047	Tensioner Pulley (> 08/2010)	2			
16	J209049	Spacer Roller Tensioner (> 08/2010)	1			
17	SP01008	Hex Set Screw M6 x 16	2			
18	SP01012	Button Head M8 x 12	3			
19	SP02006	Nut M8 Nyloc	4			
20	SP03003	Washer M6 Toothed	2			
21	SP01013	Hex Set Screw 3/8" UNF x 2"	1			
22	SP02015	Nut 3/8" UNF	3			
23	SP01057	Screw 3/8" UNF x 3 1/4" (> 08/2010)	1			
24	SP02008	Nut M10 Nyloc	2			
25	SP03011	Washer M10 Form A	2			
26	230490	Belt Tensioner (< 08/2010)	1			
27	230493	Pulley Retainer (< 08/2010)	1			
28	J209047	Tensioner Pulley (< 08/2010)	1			
29	SP01056	CSK Cap Head M6 x 25 (< 08/2010)	1			
30	SP02006	Nut M8 Nyloc (< 08/2010)	1			
31	SP03008	Washer M8 Form A (< 08/2010)	1			
32	800222	Belt Tensioner Assembly (< 08/2010) (Includes Items 26, 27, 28, 29, 30, 31)	1			

### Note

SP11023 must be used with Item 26

# 3. CHASSIS - RH SIDE PLATE

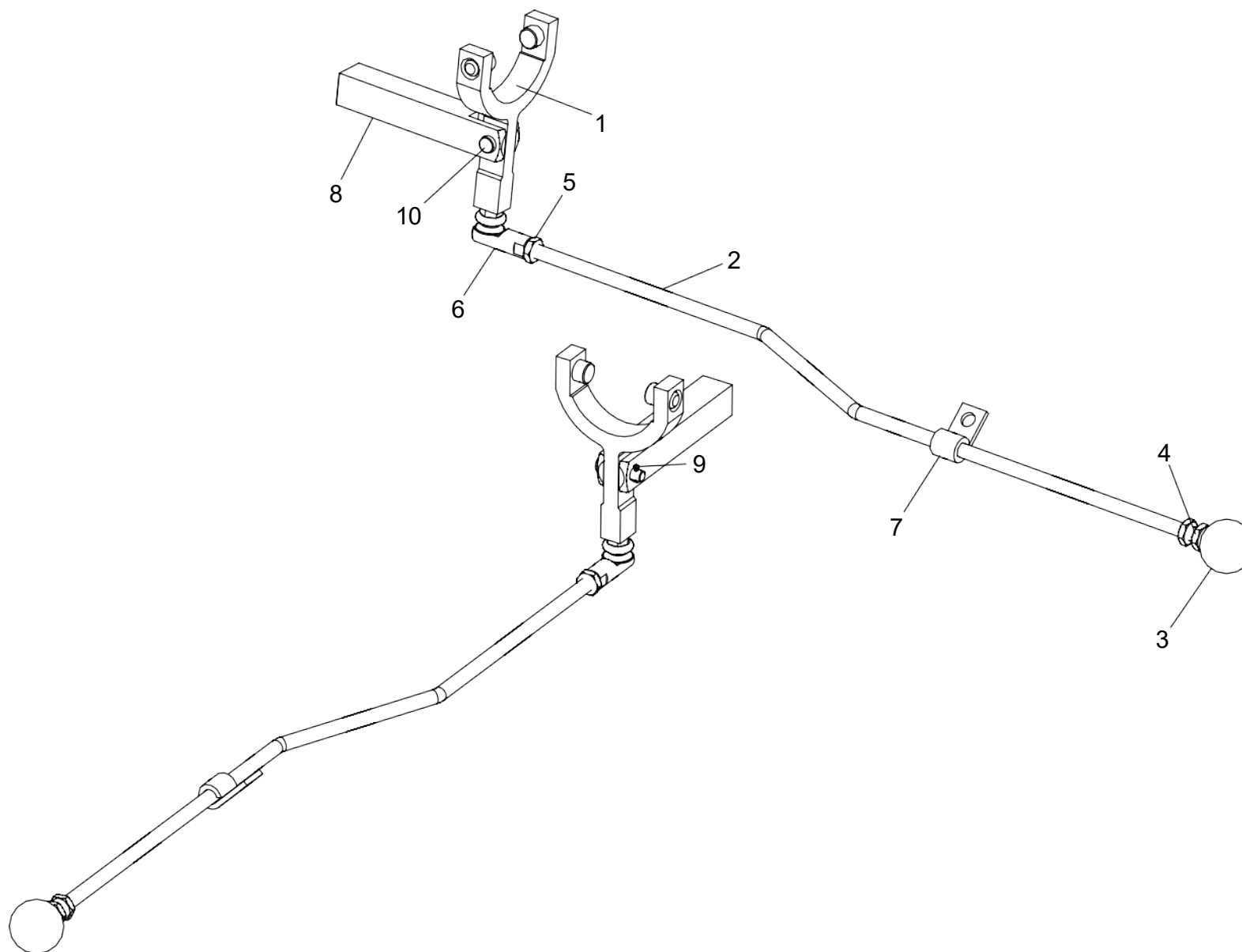
FT430 / FT510 / FT610  
PARTS CATALOGUE



# 3. CHASSIS - RH SIDE PLATE

<b>Item No.</b>	<b>Part No.</b>	<b>Description</b>	<b>Quantity</b>
1	J209254	Side Plate RH (FT)	1
1	209219	Side Plate RH (Super Six)	1
2	J20023	Unit Limiting Stud	1
3	229741	Buffer Block	1
4	229742	Buffer	1
5	SP03003	Washer M6 Toothed	2
6	SP01008	Hex Set Screw M6 x 16	3
7	J209229	Clutch Rod Stop	1
8	J209078	Retaining Screw Plate	1
9	SP01016	Button Head M6 x 12	2
10	J20207	Stud Brake Band Cover	2
11	J20237	Unit Bearing Stud (FT)	1
11	J209110	Unit Bearing Stud (Super Six)	1
12	SP02006	Nut M8 Nyloc	4
13	SP02004	Nut M6 Nyloc	1
14	SP03010	Washer M6 Form A	1
15	SP02008	Nut M10 Nyloc	1
16	SP03008	Washer M8 Form A	3
17	SP03011	Washer M10 Form A	1

# 4. CUTTER ENGAGEMENT

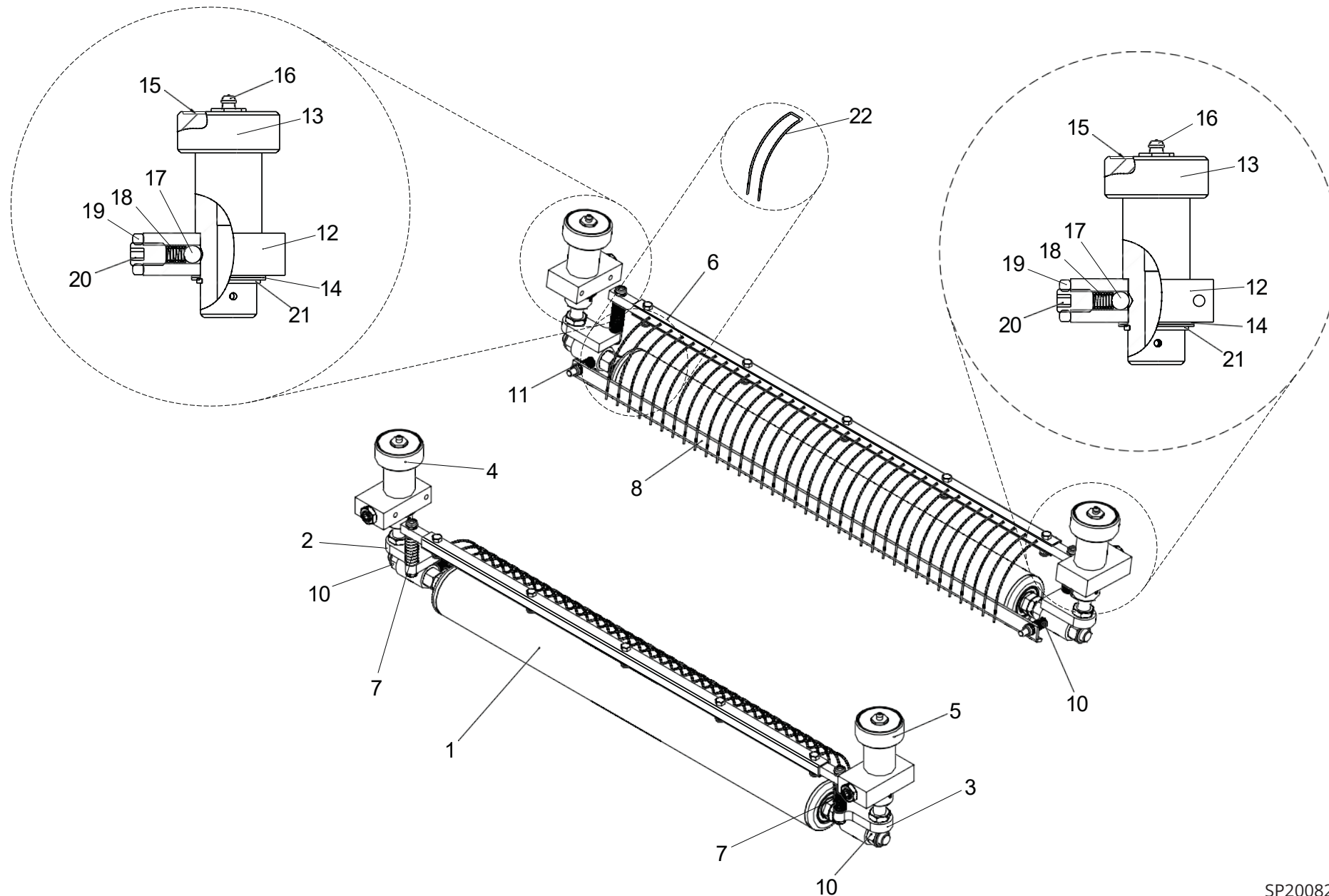


# 4. CUTTER ENGAGEMENT

<b>Item No.</b>	<b>Part Number</b>	<b>Description</b>	<b>Quantity</b>
1	J209230	<i>Dog Clutch Fork Assy.</i>	1
2	J179231	<i>17" Clutch Control Rod</i>	1
2	J209231	<i>20" Clutch Control Rod</i>	1
2	J249231	<i>24" Clutch Control Rod</i>	1
3	J20017	<i>Knob - Red</i>	1
4	J209024	<i>Nut 5/16 BSF Lock (Thin)</i>	2
5	J209026	<i>Nut 5/16 UNF Lock (Thin)</i>	1
6	J209019	<i>Rod End</i>	1
7	J209232	<i>Bracket Control Rod</i>	1
8	J209226	<i>Clutch Fork Pivot Mounting</i>	1
9	J209021	<i>Split Pin 1/16" x 1/2"</i>	1
10	J209020	<i>Pin Clevis</i>	1

# 5. FRONT ROLLER - MAIN ASSEMBLY

FT430 / FT510 / FT610  
PARTS CATALOGUE



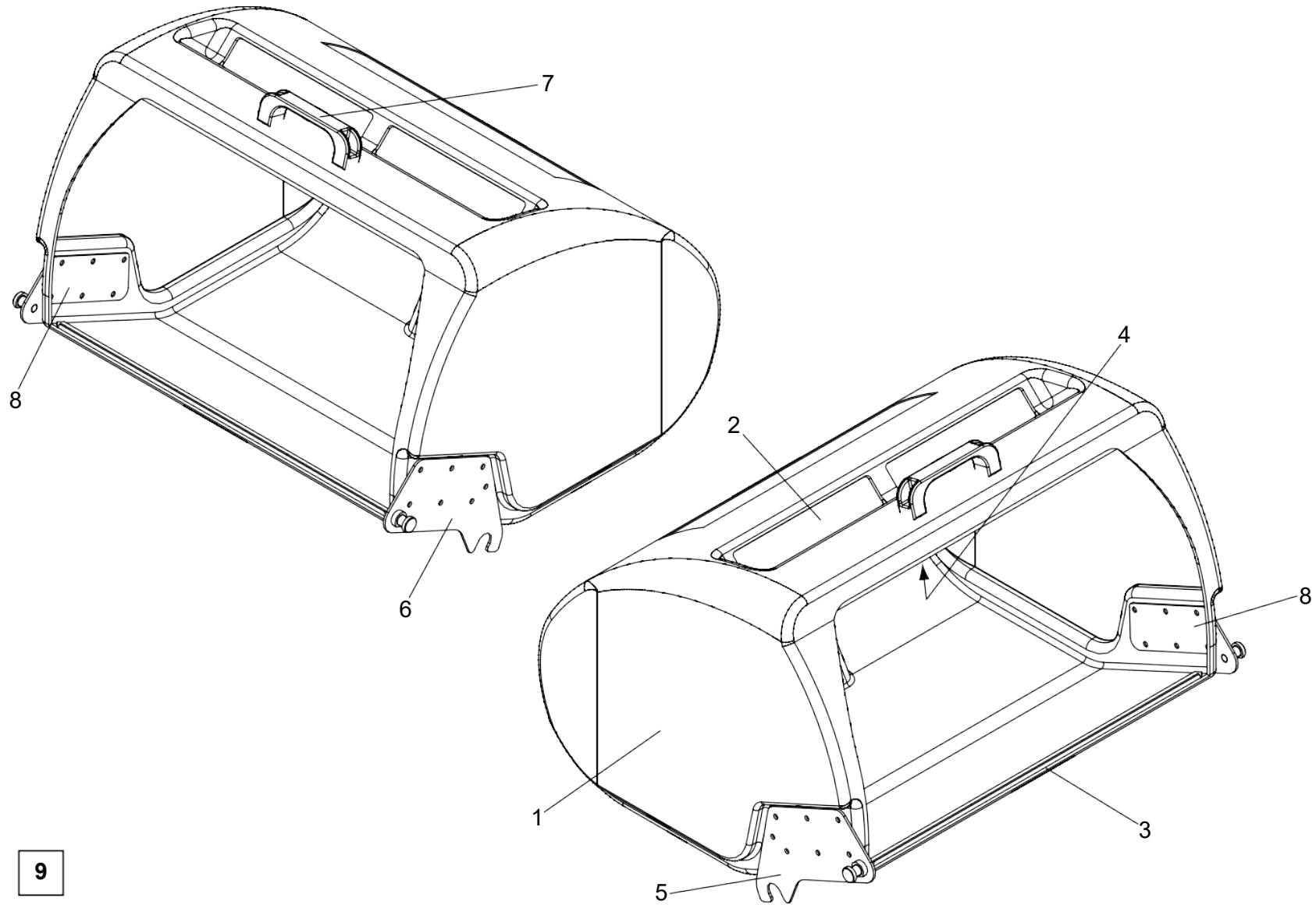
# 5. FRONT ROLLER - MAIN ASSEMBLY

FT430 / FT510 / FT610  
PARTS CATALOGUE

Item No.	Part No.	Description	Quantity	Not Shown		
1	800002	Front Roller Assy 17"	1	-	J17502	Front Roller Shaft 17" 1
1	800502	Front Roller Assy 20"	1	-	J20502	Front Roller Shaft 20" 1
1	800503	Front Roller Assy 24"	1	-	J24502	Front Roller Shaft 24" 1
2	J20522	End Block RH	1			
3	J20521	End Block LH	1			
4	800149	Click Height Adjuster RH	1			
5	800148	Click Height Adjuster LH	1			
6	800182	Comb Bar Sub Assy 17"	1			
6	800180	Comb Bar Sub Assy 20"	1			
6	800181	Comb Bar Sub Assy 24"	1			
7	J20510	Spring Comb Bar	2			
8	J17250	Front Roller Scraper Bar 17"	1			
8	J20250	Front Roller Scraper Bar 20"	1			
8	J24250	Front Roller Scraper Bar 24"	1			
9	J20505	Spring Scraper	2			
10	SP02010	Nut M12 Nyloc	2			
11	SP02004	Nut M6 Nyloc	4			
12	J20517	Ht. Adjuster Block	1			
13	J20518	Height Adjuster Knob	1			
14	228092	Shim Id 25.8 x 1 Thk	2			
15	J20519	Decal Height Of Cut ( > 12/2012)	1			
15	230516	Decal Height Of Cut (01/2013 > )	1			
16	J20528	Grease Nipple 1/4" Bsp	1			
17	J20525	Steel Ball 8mm	1			
18	J20526	Spring	1			
19	SP02013	Nut M10 Lock (Thin)	1			
20	SP01018	Grub Screw M10 x 16	1			
21	SP07007	Circlip D1460 - 25	1			
22	J20509	Comb Tine	AR			
<b>Not Shown</b>						
-	SP01016	Button Head Screw M6 x 12	4			
-	J209105	Front Roller Bearings	2			
-	J209073	Front Roller Oil Seal	2			

# 6. GRASSBOX

FT430 / FT510 / FT610  
PARTS CATALOGUE



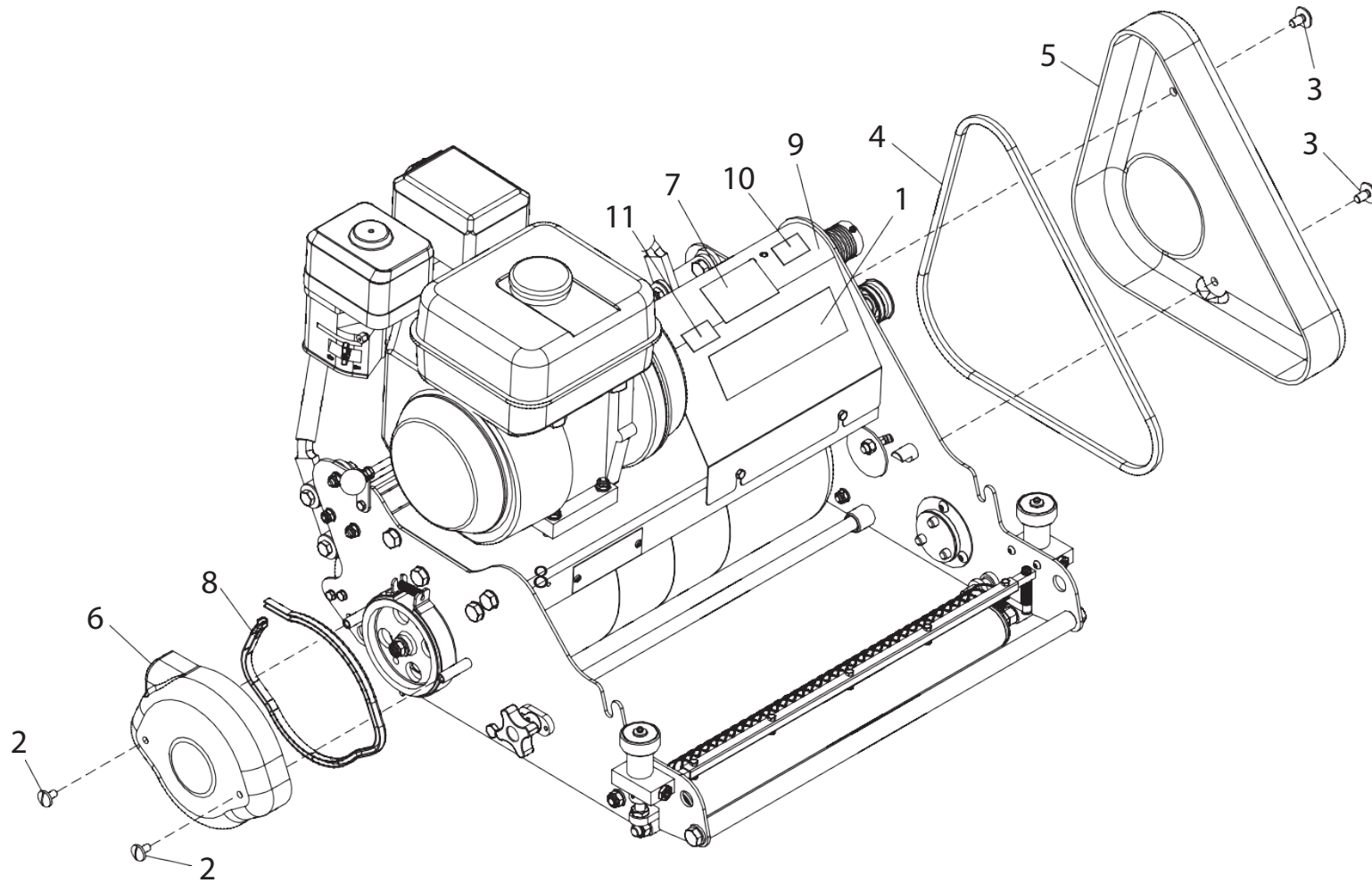
Item No.	Part No.	Description	Quantity
1	J179237	FT430 Grassbox Moulding	1
1	J209237	FT510 Grassbox Moulding	1
1	J249237	FT610 Grassbox Moulding	1
2	J209062	Mesh (FT510)	1
2	J249062	Mesh (FT610)	1
3	J17257	17" Grassbox Edging Strip	1
3	J209063	20" Grassbox Edging Strip	1
3	J249063	24" Grassbox Edging Strip	1
4	J209064	Handle Plate Grass Box	1
5	J209222	LH Grassbox Wing	1
6	J209224	RH Grassbox Wing	1
7	J209243	Handle Grassbox	1
8	J209060	Grassbox Support Plate	2
9	800008	17" Grassbox Complete	1
9	800017	20" Grassbox Complete	1
9	800042	24" Grassbox Complete	1

**Not Shown**

SP04002	Screw M6 x 16 Slotted (To it Item 5 & 6)	8
SP02004	Nut M6 Nyloc (To it Item 5 & 6)	8
SP01008	Hex Set Screw M6 x 16 (To it Item 7)	2
SP03007	Washer M6 x 20 (To it Item 7)	2

# 7. GUARDS

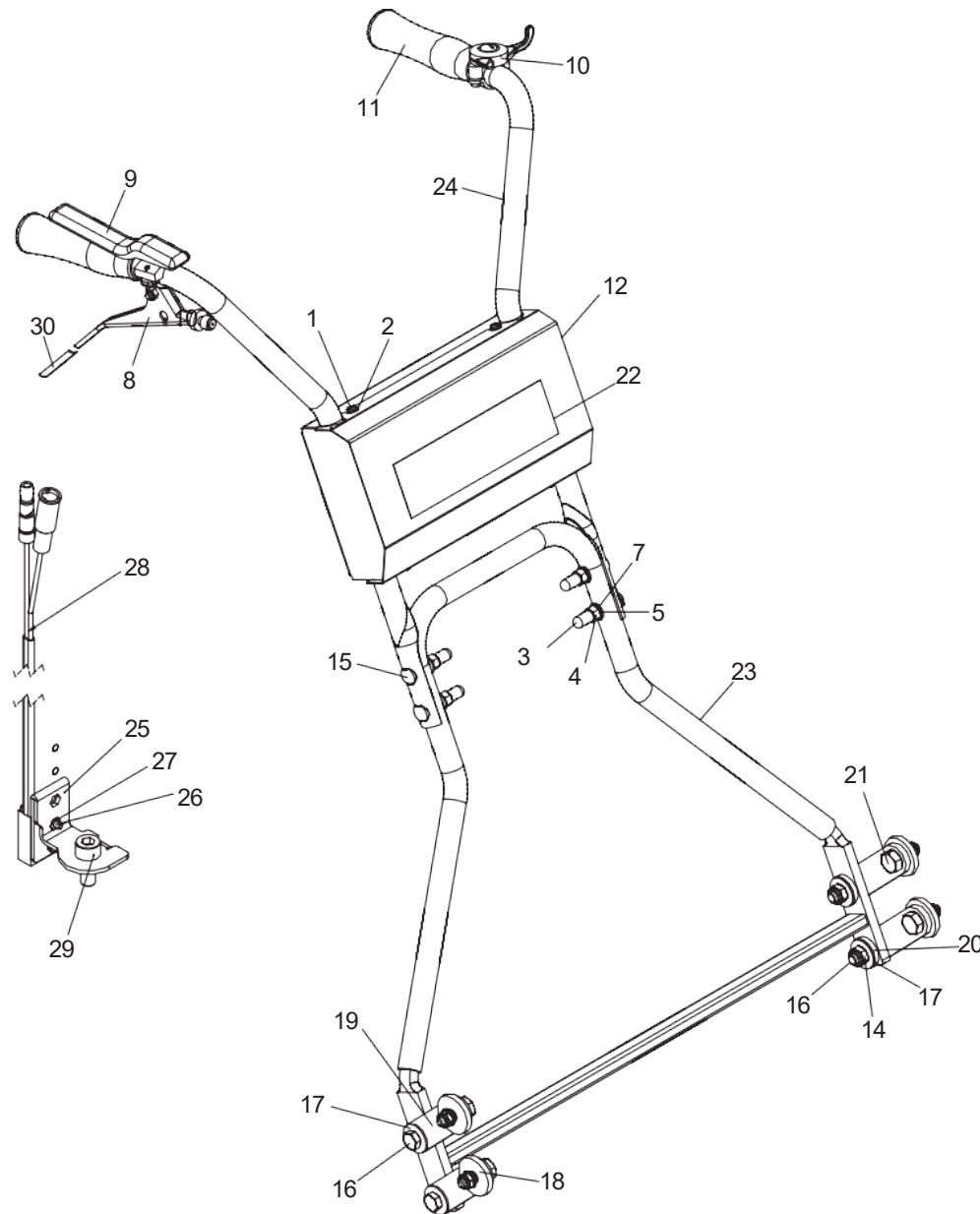
FT430 / FT510 / FT610  
PARTS CATALOGUE



<b>Item No.</b>	<b>Part No.</b>	<b>Description</b>	<b>Quantity</b>
1	B32902	<i>Decal Dennis</i>	2
2	J209074	<i>Brake Band Cover Screw</i>	2
3	194946	<i>Chain Case Screw</i>	2
4	228031	<i>Belt Guard Seal</i>	1.23m
5	J20712	<i>Belt Guard</i>	1
6	J20206	<i>Brake Band Cover</i>	1
7	B32903	<i>Decal Union Jack</i>	1
8	228031	<i>Brake Band Seal</i>	0.62m
9	J179221	<i>Transmission Cover 17"</i>	1
9	J209221	<i>Transmission Cover 20"</i>	1
9	J249221	<i>Transmission Cover 24"</i>	1
10	B32904	<i>Oil Daily Decal</i>	1
11	229605	<i>98dB Decal</i>	1

# 8. HANDLEBARS - MAIN ASSEMBLY

FT430 / FT510 / FT610  
PARTS CATALOGUE



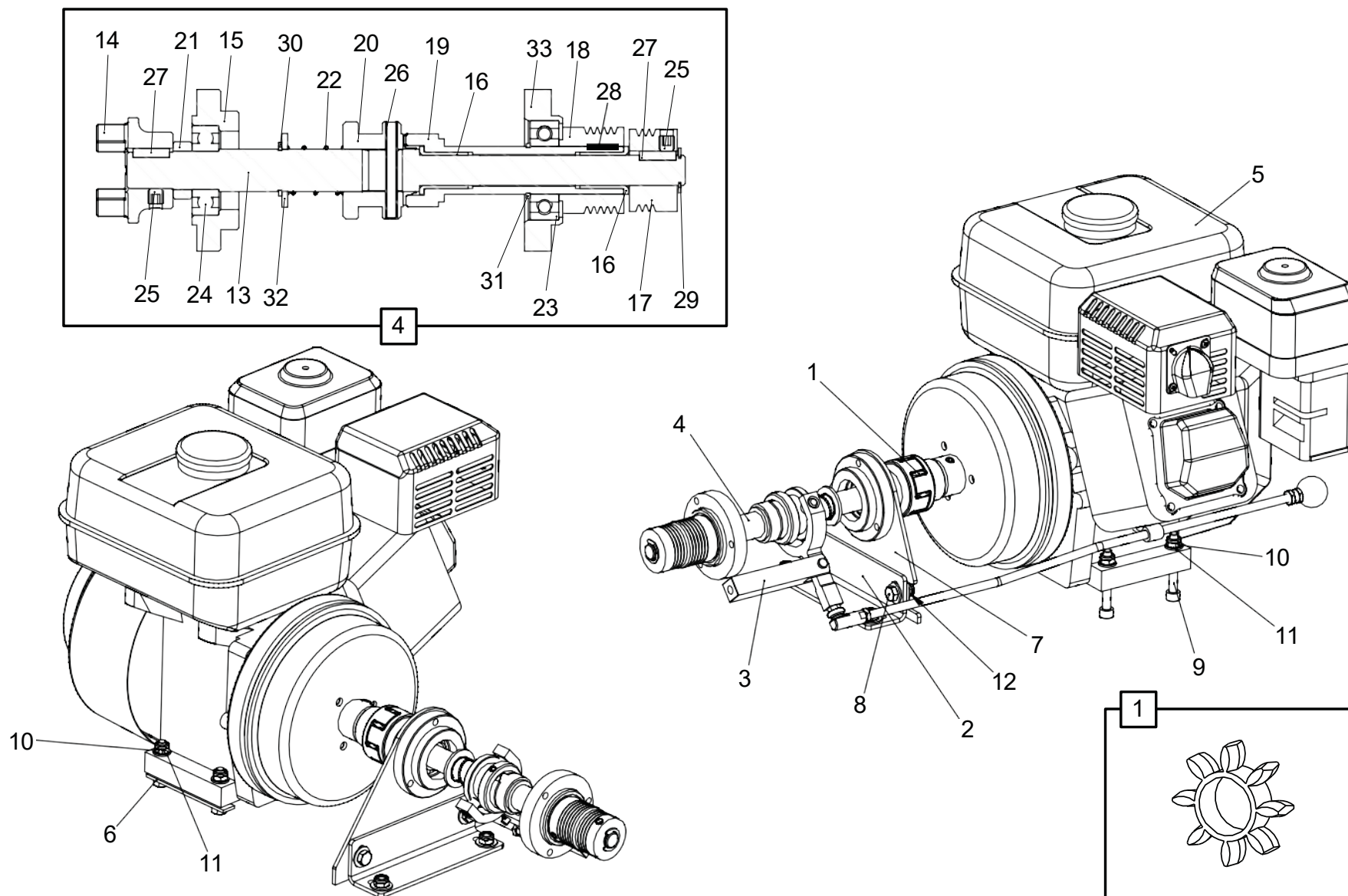
# 8. HANDLEBARS - MAIN ASSEMBLY

FT430 / FT510 / FT610  
PARTS CATALOGUE

Item No.	Part No.	Description	Quantity	Not Shown		
1	SP04001	Screw M5 x 16 Slotted	4	-	J20112	Throttle Cable (Honds MKII & Kubota MKI) 1
2	SP03009	Washer M5 Form A	4	-	J20113	Brake Band Cable 1
3	228094	End Tip 5/16"	4	-	J20123	Electric Loom (Deadmans) (> 02/2012) 1
4	SP02005	Nut M8 STD	4	-	SP12021	Electric Loom (Deadmans) (< 03/2012) 1
5	SP03004	Washer M8 Toothed	3	-	J20110	Brake Band Lever Grip 1
6	SP03004	Washer M8 Toothed	1			
7	SP03008	Washer M8 Form A	8			
8	J20109	Brake Band Lever	1			
9	800514	Deadmans Handle Kit (> 02/2012)	1			
9	SP12010	Deadmans Lever (< 03/2012)	1			
10	J20108	Throttle Control Lever	1			
11	J20107	Handle Grip Rubber	2			
12	230013	Console Cover (No Switch)	1			
13	SP02006	Nut M8 Nyloc	4			
14	SP02008	Nut M10 Nyloc	4			
15	228093	Bolt Saddle M8 x 43	4			
16	SP01020	Hex Set Screw M10 x 40	4			
17	SP03018	Washer M10 Form G	8			
18	229724	Arm Pivot Bush	4			
19	229725	Pivot Arm Lower Handle	4			
20	229726	Bush Handle Pivot	4			
21	229736	Pivot Bolt	4			
22	B32902	Decal Dennis	1			
23	230035	Handle Lower 17" W.A.	1			
23	230020	Handle Lower 20" W.A.	1			
23	230030	Handle Lower 24" W.A.	1			
24	230040	Handle Upper W.A.	1			
25	230487	Micro Switch Bracket	1			
26	SP01070	Cap Head M2 x 12	1			
27	SP02032	Nut M2 STD	1			
28	SP012022	Electrical Loom Micro Switch	1			
29	SP01081	Cap Head M5 x 12	1			
30	J20110	Lever Grip	1			

# 9. ENGINE AND DRIVE COMPONENTS

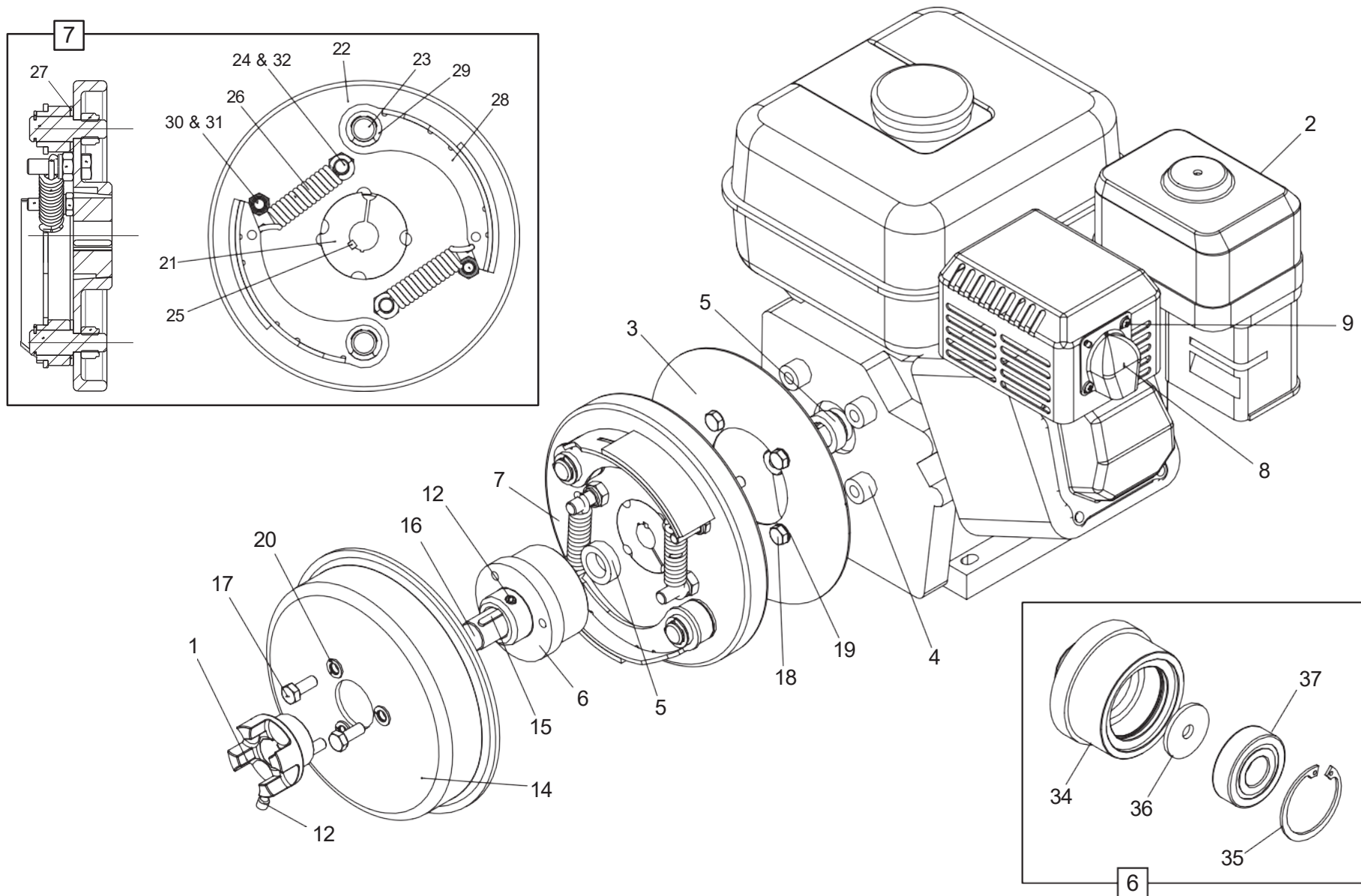
FT430 / FT510 / FT610  
PARTS CATALOGUE





# 10. CENTRIFUGAL CLUTCH (>06/2013)

FT430 / FT510 / FT610  
PARTS CATALOGUE



# 10. CENTRIFUGAL CLUTCH (>06/2013)

FT430 / FT510 / FT610  
PARTS CATALOGUE

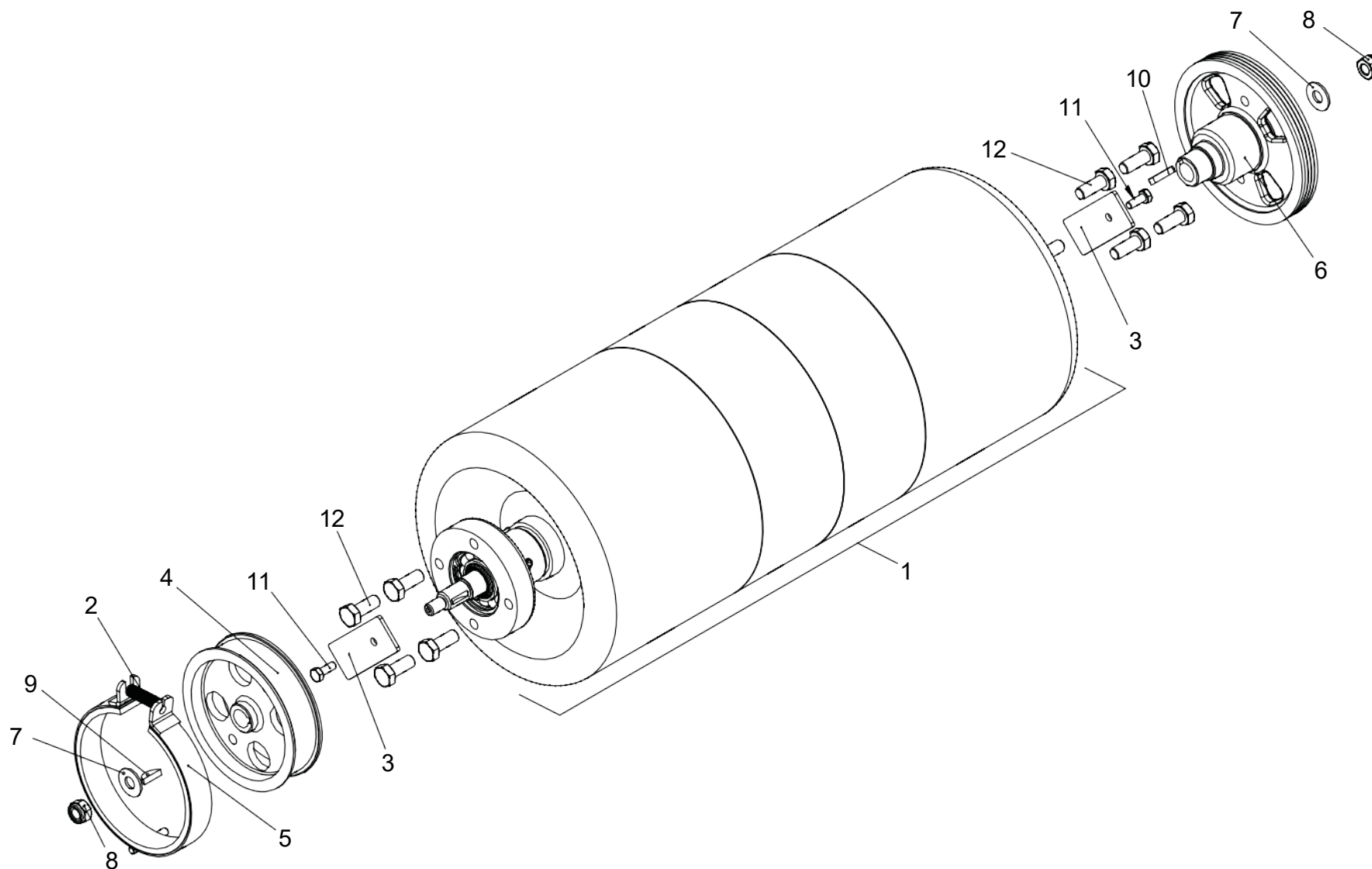
Item No.	Part No.	Description	Quantity	Item No.	Part No.	Description	Quantity
1	228102	Coupling Half (7/8")	1	34	230534	Bearing Hub Clutch	1
2	229901	Engine 5.5 Hp Honda Gx160 Q9	1	35	J209006	Circlip 47 M1308-0470	1
3	230530	Backing Plate Flywheel	1	36	J209249	Washer 9 X 35 X 3	1
4	230531	Spacer Back Plate	4	37	Sp06020	Bearing RLS6-2RS	1
5	230535	Shaft Spacer	2				
6	800026	Clutch Hub Assembly	1				
7	800027	Fly Wheel Assembly	1				
8	J20367	Exhaust Deflector	1				
9	J20368	Screw M4 Exhaust Deflector	2				
10	J20369	E Clip 5Mm	1				
11	J20376	Throttle Clamp	1				
12	J20467	Grub Screw M8 X 8	2				
13	J209007	Cap Head 5/16" X 3/4"	1				
14	J209017	Clutch Drum Machined	1				
15	J209025	Key 3/16" X 3/16" X 1 3/4" Rd End	1				
16	J209233	Stub Shaft	1				
17	Sp01009	Hex Set Screw M8 X 20	3				
18	Sp01093	Hex Set Screw 5/16" Unf X 1"	4				
19	Sp03004	Washer M8 Toothed	4				
20	Sp03029	Washer M8 Spring Lock	3				
21	228001	Tapered Bush 1610 - 3/4"	1				
22	230532	Flywheel	1				
23	230533	Clutch Shoe Pivot	2				
24	E1-1119	Hex Set Screw M10 X 35	2				
25	J20457	Key 3/16" X 3/16" X 1" Rd End	1				
26	J209011	Tension Spring	2				
27	J209012	Washer M16 Form B	2				
28	J209013	Clutch Shoe Assy	2				
29	J209106	E Clip 16Mm	2				
30	Sp01036	Hex Set Screw M8 X 35	2				
31	Sp02006	Nut M8 Nyloc (T)	2				
32	Sp02008	Nut M10 Nyloc (T)	2				
33	Sp02010	Nut M12 Nyloc (T)	2				

## Note

For Throttle Cable, See page 18

# 11. REAR ROLLER - MAIN ASSEMBLY

FT430 / FT510 / FT610  
PARTS CATALOGUE



# 11. REAR ROLLER - MAIN ASSEMBLY

FT430 / FT510 / FT610  
PARTS CATALOGUE

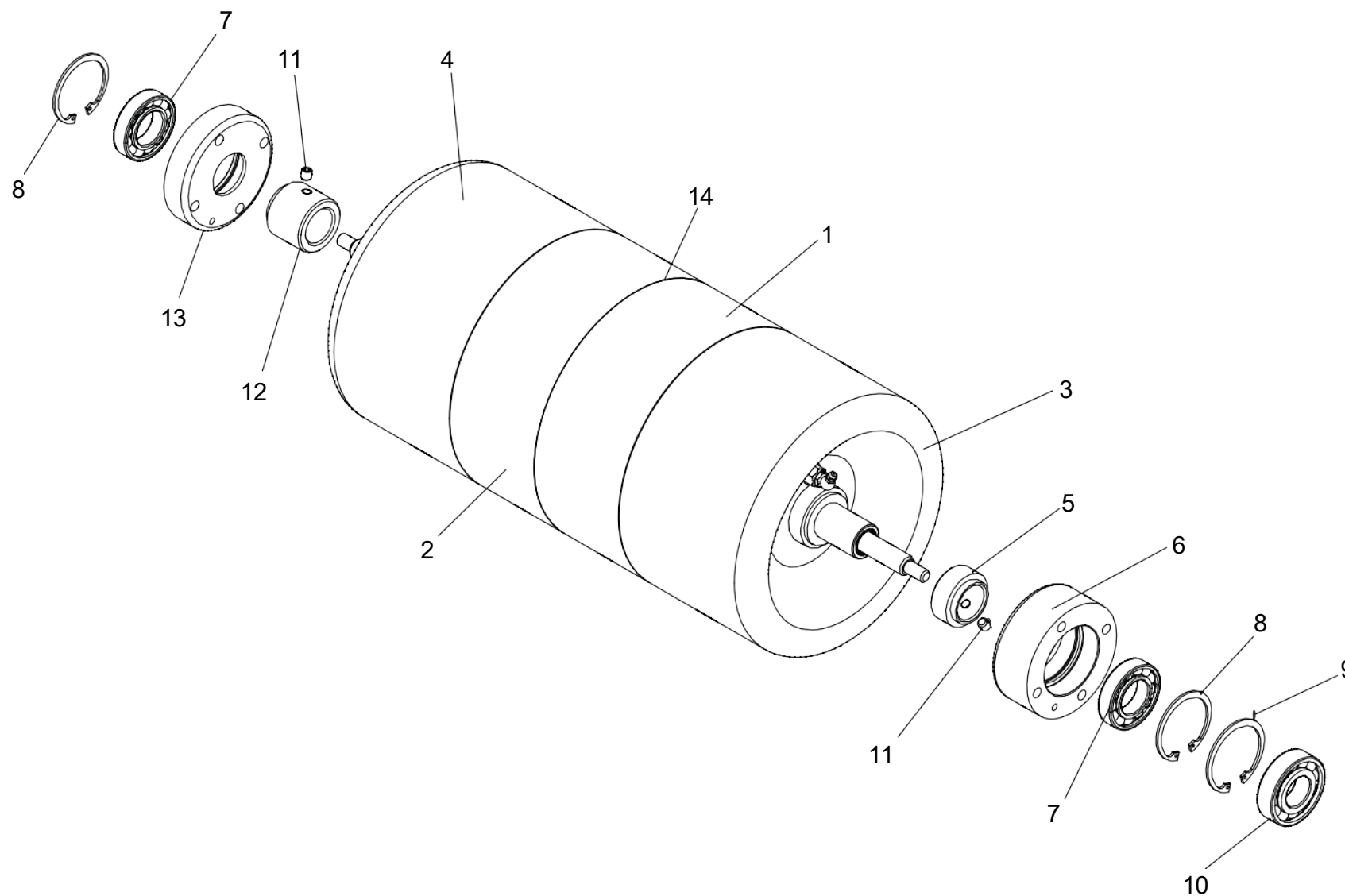
<b>Item No.</b>	<b>Description</b>	<b>Part Number</b>	<b>Quantity</b>
1	See page 26	Rear Roller Assy	1
2	J20119	Spring Scraper Brake Band	1
3	J20256	Roller Slot Cover Plate	2
4	J20461	Brake Drum	1
5	J20463	Brake Band Assy	1
6	J209201	Rear Roller Driven Pulley	1
7	SP03016	Washer M10 Form C	2
8	SP02008	Nut M10 Nyloc	2
9	J20462	Key Woodruff (606) 3/16" x 3/4"	1
10	J20457	Key 3/16" x 3/16" x 1" Rd End	1
11	SP01008	Hex Set Screw M6 x 16	2
12	SP01035	Hex Set Screw M10 x 25	8

**NOTE**

*For Brake Band Cable, see page 18*

# 12. REAR ROLLER - ROLLER ASSEMBLY

FT430 / FT510 / FT610  
PARTS CATALOGUE



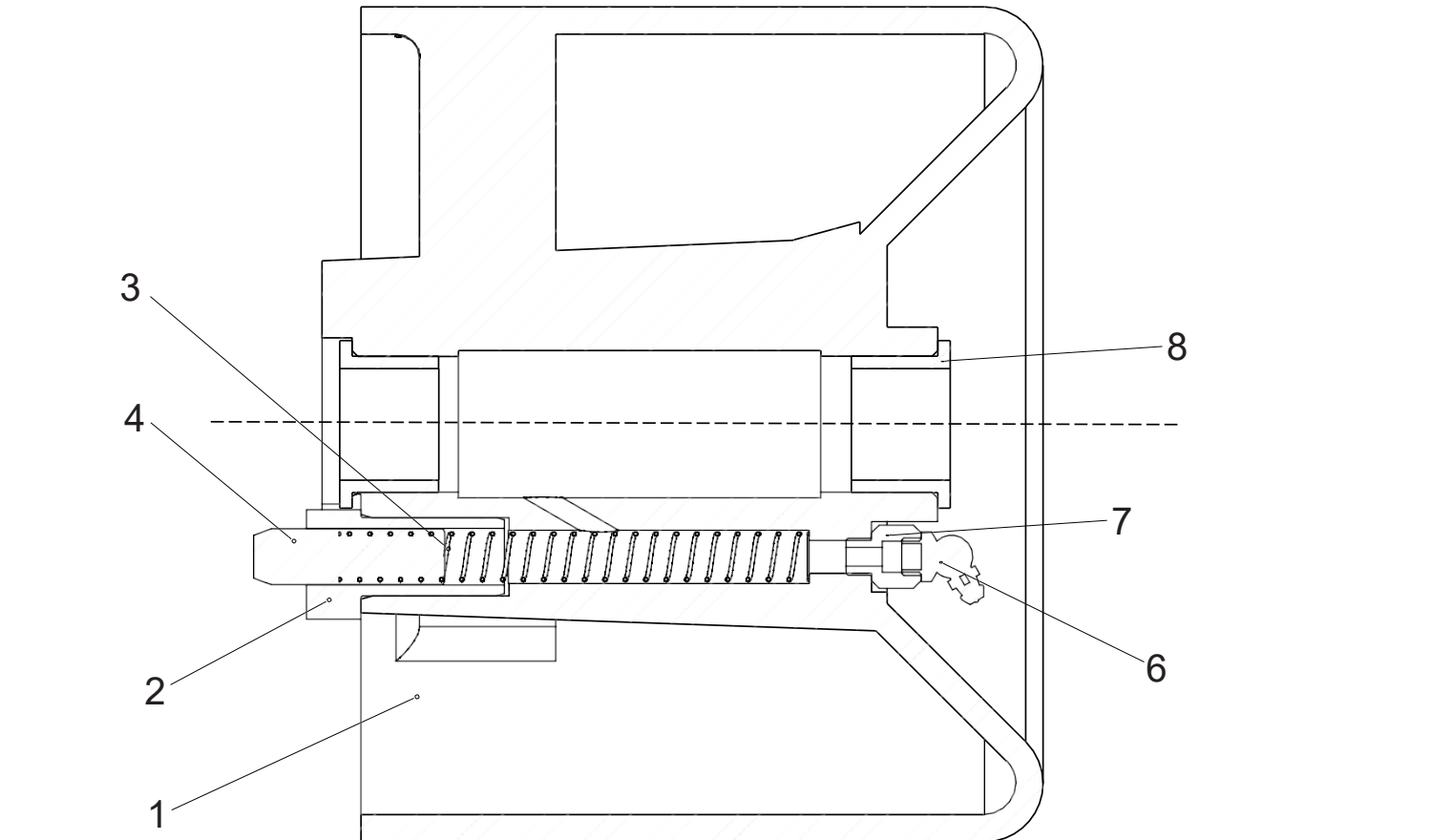
# 12. REAR ROLLER - ROLLER ASSEMBLY

FT430 / FT510 / FT610  
PARTS CATALOGUE

<b>Item No.</b>	<b>Description</b>	<b>Part Number</b>	<b>Quantity</b>
1	See page 33	<i>RH Differential Assy</i>	
2	See page 30	<i>LH Differential Assy</i>	
3	See page 28	<i>Outer Roller Assy</i>	
4	See page 28	<i>Outer Roller Assy</i>	
5	J20477	<i>LH Spacer Collar</i>	1
6	J20450	<i>LH Bearing Housing</i>	1
7	J20454	<i>Bearing R18 2RS</i>	2
8	J20475	<i>Circlip Internal 54 x 2</i>	2
9	J20474	<i>Circlip Internal 57 x 2</i>	1
10	J20455	<i>Bearing RLS8 2RS</i>	1
11	J20467	<i>Grub Screw M8 x 8</i>	2
12	J20464	<i>RH Spacer Collar</i>	1
13	J20453	<i>RH Bearing Housing</i>	1
14	J20494	<i>Gasket Rear Roller</i>	1

# 13. REAR ROLLER - OUTER ROLLER ASSEMBLY

FT430 / FT510 / FT610  
PARTS CATALOGUE



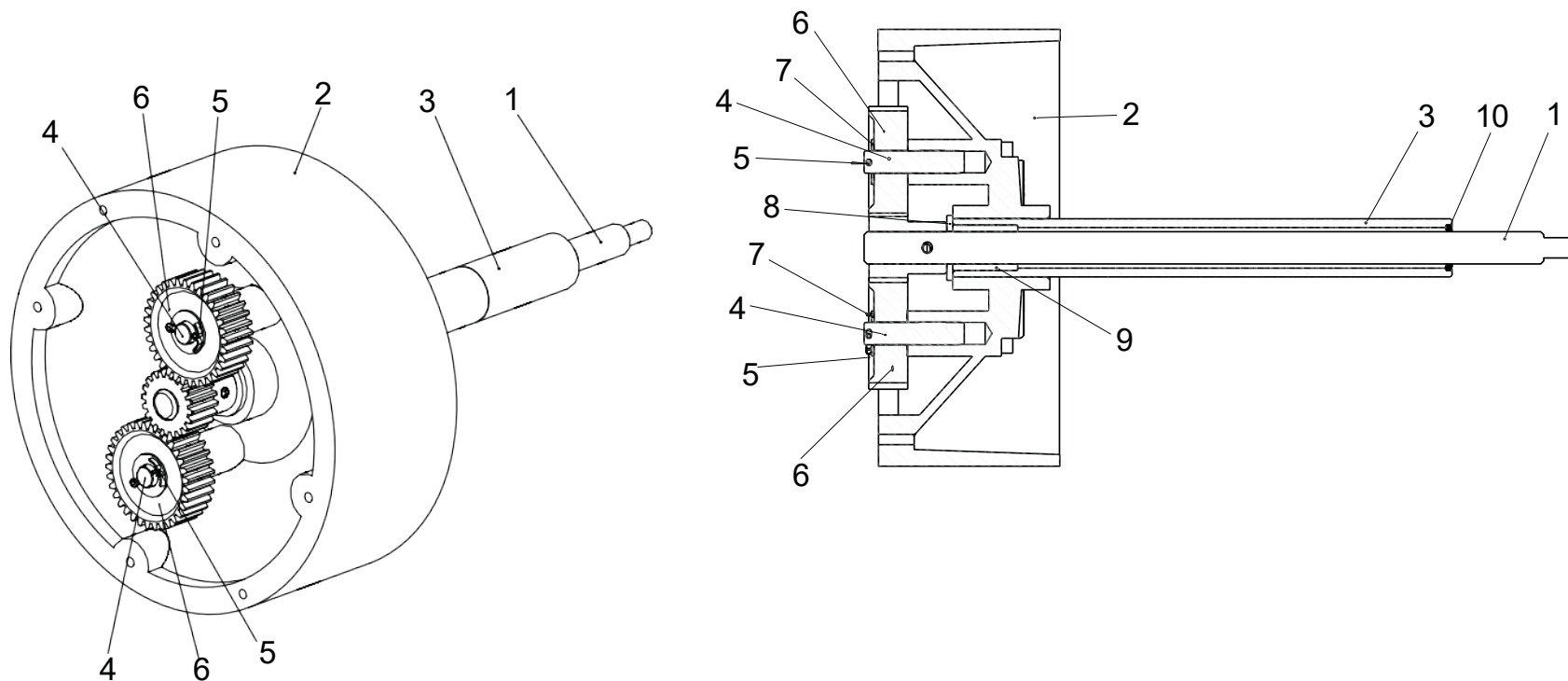
# 13. REAR ROLLER - OUTER ROLLER ASSEMBLY

FT430 / FT510 / FT610  
PARTS CATALOGUE

<b>Item No.</b>	<b>Part Number</b>	<b>Description</b>	<b>Quantity</b>
1	J179540	17" LH Outer Roller c/w Bush	1
1	J179541	17" RH Outer Roller c/w Bush	1
1	800019L	20" LH Outer Roller c/w Bush	1
1	800019R	20" RH Outer Roller c/w Bush	1
1	800044L	24" LH Outer Roller c/w Bush	1
1	800044R	24" RH Outer Roller c/w Bush	1
2	J20476	Plunger Bush	1
3	J20435	Spring Plunger	1
4	J20437	Plunger Pawl	1
6	J20480	Grease Nipple 67 Deg 1/8" Bsp T	1
7	J20481	Grease Nipple Extension 1/8" Bsp T	1
8	J20473	Roller Bush	2
<b>Not Shown</b>			
-	J20404	Pin Spirol M5 x 24	1

# 14. REAR ROLLER - LH DIFFERENTIAL

FT430 / FT510 / FT610  
PARTS CATALOGUE



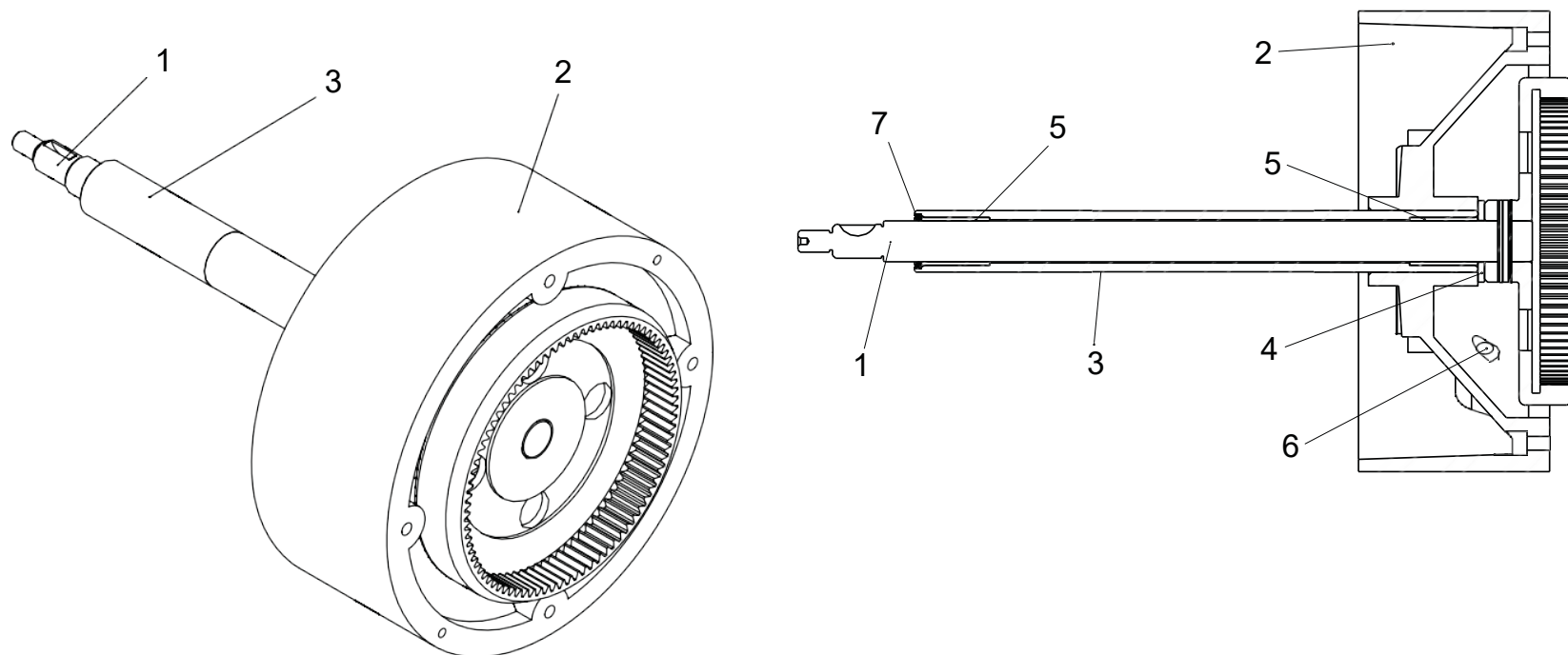
# 14. REAR ROLLER - LH DIFFERENTIAL

FT430 / FT510 / FT610  
PARTS CATALOGUE

Item No.	Part No.	Description	Quantity
1	800005	<i>Pinion Shaft Assy (FT430)</i>	1
1	800014	<i>Pinion Shaft Assy (FT510)</i>	1
1	800039	<i>Pinion Shaft Assy (FT610)</i>	1
2	J20400	<i>Planet Gear Case</i>	1
3	J17401	<i>17" Pinion Gear Case Tube</i>	1
3	J20401	<i>20" Pinion Gear Case Tube</i>	1
3	J24401	<i>24" Pinion Gear Case Tube</i>	1
4	J20405	<i>Planet Gear Pin</i>	2
5	J20406	<i>Split Pin 3/32" x 1"</i>	2
6	J20407	<i>Planet Gear (33t)</i>	2
7	J20408	<i>Washer Planet 7/16"</i>	2
8	J20409	<i>Pinion Washer</i>	1
9	J20410	<i>Pinion Gear Tube Bush</i>	1
10	J20484	<i>Seal Single Lip W087.62.12</i>	1
<b>Not Shown</b>			
-	J20430	<i>Caphead M6 x 30 (For Assy with 8.05)</i>	4
-	J20494	<i>Gasket Rear Roller (For Assy with 8.05)</i>	1

# 15. REAR ROLLER - RH DIFFERENTIAL

FT430 / FT510 / FT610  
PARTS CATALOGUE



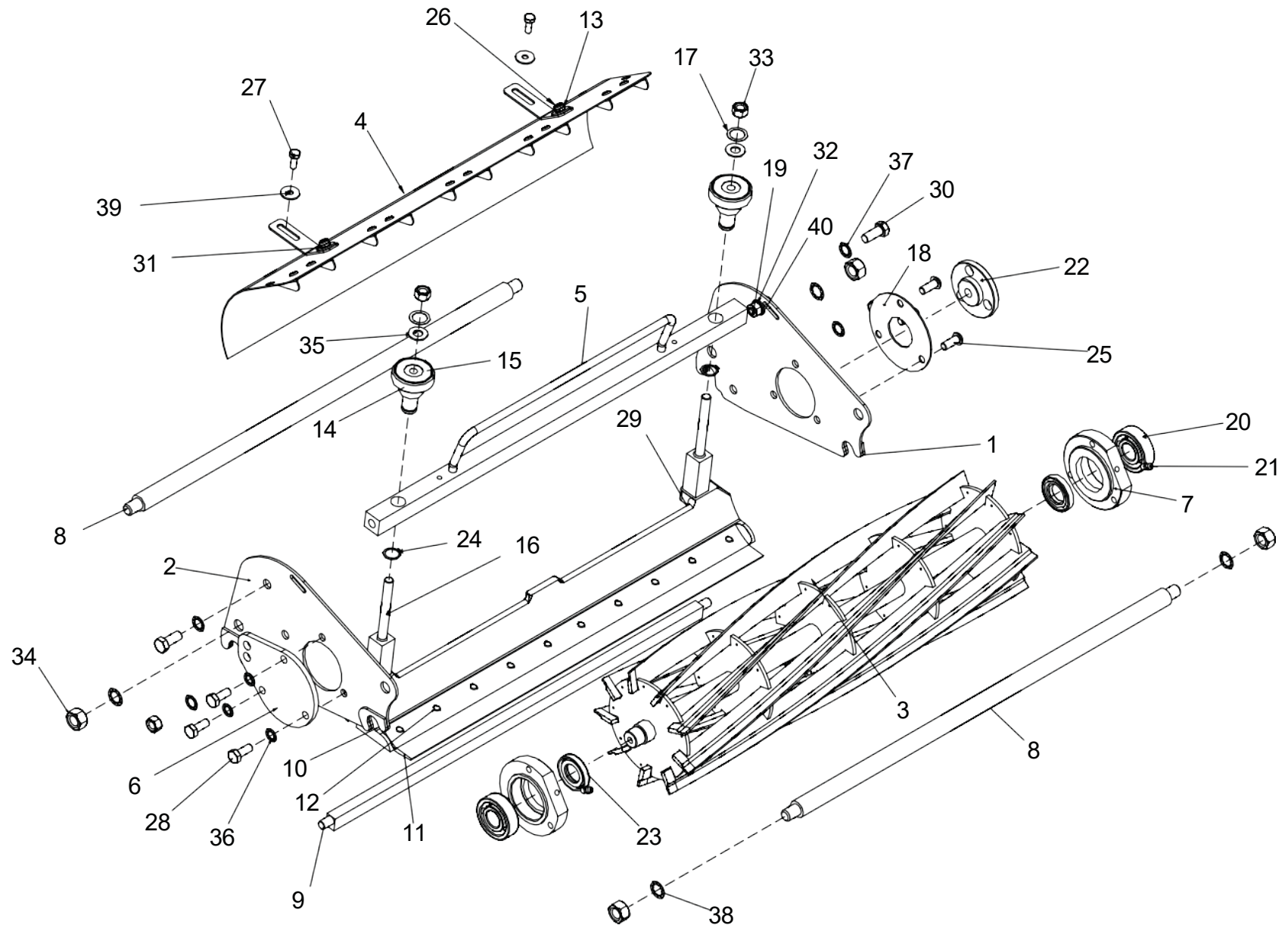
# 15. REAR ROLLER - RH DIFFERENTIAL

FT430 / FT510 / FT610  
PARTS CATALOGUE

<b>Item No.</b>	<b>Part No.</b>	<b>Description</b>	<b>Quantity</b>
1	800006	17" Annular Gear Shaft Assy	1
1	800015	20" Annular Gear Shaft Assy	1
1	800040	24" Annular Gear Shaft Assy	1
2	J20420	Annular Gear Case	1
3	J17421	17" Annular Gear Case Tube	1
3	J20421	20" Annular Gear Case Tube	1
3	J24421	24" Annular Gear Case Tube	1
4	J20424	Washer Annular	1
5	J20426	Bush Annular Gear Tube	2
6	J20432	Oil Plug (14" BSP)	1
7	J20482	Seal Single Lip R21	1
<b>Not Shown</b>			
-	J20430	Caphead M6 x 30 (For Assy with 8.04)	4
-	J20494	Gasket Rear Roller (For Assy with 8.04)	1

# 16. CUTTER CASSETTE

FT430 / FT510 / FT610  
PARTS CATALOGUE



# 16. CUTTER CASSETTE

Item No.	Part No.	Description	Quantity	Item No.	Part No.	Description	Quantity
1	J19998	Cassette Side Plate W.A. L.H.	1	15	J209302	Decal Cut On / Off (> 12/2012)	2
2	J19999	Cassette Side Plate W.A. R.H.	1	15	230517	Decal Cut On / Off (01/2013 > )	2
3	J17040	Cylinder 5 Blade 17"	1	16	J209303	Adjuster Rod	2
3	J20040	Cylinder 5 Blade 20"	1	17	J209304	Shim Od: 22 Id:16 THK 0.3	2
3	J24040	Cylinder 5 Blade 24"	1	18	J20008	Back Plate With Hole	1
3	J17039	Cylinder 9 Blade 17"	1	19	J20023	Unit Limiting Stud	1
3	230481	Cylinder 10 Blade 20"	1	20	J20004	Bearing Self-aligning RI6	2
3	230482	Cylinder 10 Blade 24"	1	21	J20064	Grease Nipple 1/4" UNF	2
4	J17033	Deflector Plate \$\$\$y 17' (9aQe)	1	22	J20041	Female Coupling	1
4	J20033	Deflector Plate \$\$\$y 20' (9aQe)	1	23	J20063	Seal Single Lip 22 x 40	2
4	J24033	Deflector Plate \$\$\$y 24' (9aQe)	1	24	J209301	Circlip N1460 / 0062 (5/8 EXT)	2
5	J179305	17" Shear Blade Adj Bar Assy	1	25	SP01006	Button Head M8 x 20	3
5	J209305	20" Shear Blade Adj Bar Assy	1	26	SP01007	Coach Bolt M6	2
5	J249305	24" Shear Blade Adj Bar Assy	1	27	SP01008	Hex Set Screw M6 x 16	2
6	J209076	Bearing Blank Plate	1	28	SP01009	Hex Set Screw M8 x 20	3
7	J20003	Cutter Bearing Housing	2	29	SP01010	Cap Head M10 x 30 (Low Hd)	2
8	J17011	17" Cassette Tie Bar	2	30	SP01011	Hex Set Screw 3/8" UNF x 3/4"	2
8	J20011	20" Cassette Tie Bar	2	31	SP02004	Nut M6 Nyloc	2
8	J24011	24" Cassette Tie Bar	2	32	SP02005	Nut M8 STD	1
9	J17012	17" Rectangular Bar	1	33	SP02015	Nut 3/8" UNF	4
9	J20012	20" Rectangular Bar	1	34	SP02016	Nut 1/2" UNF	4
9	J24012	24" Rectangular Bar	1	35	SP03002	Washer 3/8"	4
10	J17025	Shear Blade Carrier 17"	1	36	SP03004	Washer M8 Toothed	4
10	J20025	Shear Blade Carrier 20"	1	37	SP03005	Washer M10 Toothed	4
10	J24025	Shear Blade Carrier 24"	1	38	SP03006	Washer M12 Toothed	4
11	J20065	Shear Blade 20" x 0.060"	1	39	SP03007	Washer M6 x 18	4
11	J24065	Shear Blade 24" x 0.060"	1	40	SP03008	Washer M8 Form A	1
11	J17030	Shear Blade 17" x 0.090"	1				
11	J20030	Shear Blade 20" x 0.090"	1				
11	J24030	Shear Blade 24" x 0.090"	1				
11	J20031	Lipped Blade 20"	1				
11	J24031	Lipped Blade 24"	1				
12	J20032	Screw Bottom Blade	8/10/12				
13	J209061	Deflector Bracket	2				
14	J209300	Adjuster Knob Cylinder	2				



# 17. VERTICUTTER CASSETTE

FT430 / FT510 / FT610  
PARTS CATALOGUE

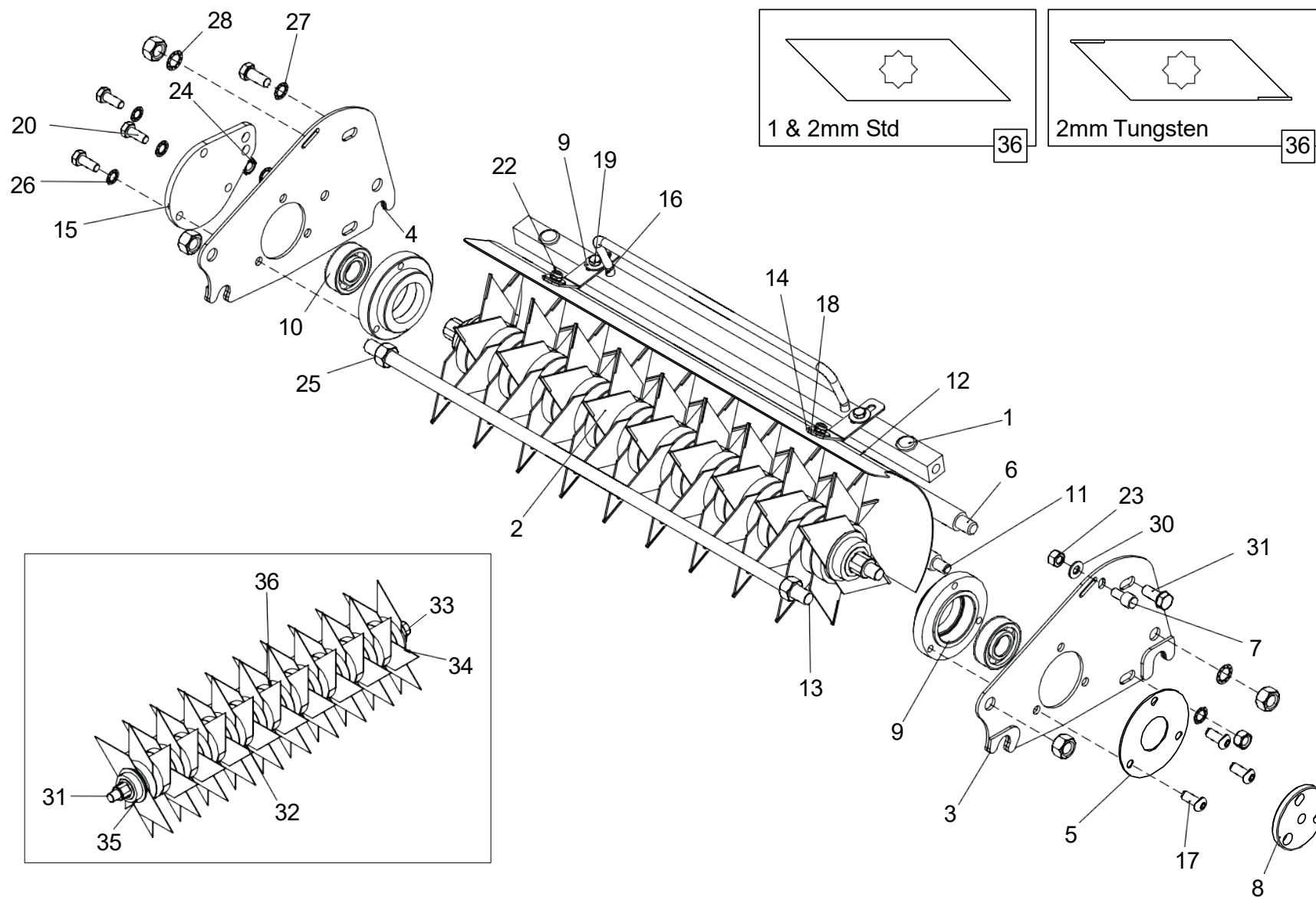
Item No.	Part No.	Description	Quantity	Item No.	Part No.	Description	Quantity
1	228062	3/4" Tube Bung (3132)	2	25	SP02016	Nut (1/2" UNF)	6
2	800049	Verticutter Hob Assy (17")	1	26	SP03004	Washer (M8 Toothed)	4
2	800054	Verticutter Hob Assy (20")	1	27	SP03005	Washer (M10 Toothed)	4
2	800059	Verticutter Hob Assy (24")	1	28	SP03006	Washer (M12 Toothed)	2
2	800050	Tungsten Verticutter Hob Assy (17")	1	29	SP03007	Washer (M6 x 18)	4
2	800055	Tungsten Verticutter Hob Assy (20")	1	30	SP03008	Washer (M8 Form A)	1
2	800060	Tungsten Verticutter Hob Assy (24")	1	31	J17055	Square Shaft (17")	1
3	J20001	Cassette Side Plate WA NC LH	1	31	J20055	Square Shaft (20")	1
4	J20002	Cassette Side Plate WA NC RH	1	31	J24055	Square Shaft (24")	1
5	J20008	Back Plate With Hole	1	32	J20056	Spacer	AR
6	J17011	Cassette Tie Bar (17")	1	33	J20059	Nut 7/8" UNF Lock (Thin)	1
6	J20011	Cassette Tie Bar (20")	1	34	J20060	Lock Washer (Small)	1
6	J24011	Cassette Tie Bar (24")	1	35	J209080	Flange Stop	1
7	J20023	Unit Limiting Stud	1	36	J20072	Dethatcher Blade	AR
8	J20041	Female Coupling	1	36	229538	Tungsten Tipped Blade 11T	AR
9	J20051	Bearing Housing (6204)	2	37	229533	Fan Blade Small	AR
10	J20052	Bearing 6204-2RS 3	2				
11	J17053	Tie Bar (17")	1				
11	J20053	Tie Bar (20")	1				
11	J24053	Tie Bar (24")	1				
12	J20054	Deflector Plate Assy (20")	1				
13	J17061	Front Tie Bar All Cassettes (FT430)	1				
13	J20061	Front Tie Bar All Cassettes (FT510)	1				
13	J24061	Front Tie Bar All Cassettes (FT610)	1				
14	J209061	Deflector Bracket	2				
15	J209076	Bearing Blank Plate	1				
16	J179305	Shear Blade Adj Bar Assy (17")	1				
16	J209305	Shear Blade Adj Bar Assy (20")	1				
16	J249305	Shear Blade Adj Bar Assy (24")	1				
17	SP01006	Button Head (M8 x 20)	3				
18	SP01007	Coach Bolt (M6)	2				
19	SP01008	Hex Set Screw (M6 x 16)	2				
20	SP01009	Hex Set Screw (M8 x 20)	3				
21	SP01011	Hex Set Screw (3/8" UNF x 3/4")	2				
22	SP02004	Nut (M6 Nyloc)	2				
23	SP02005	Nut (M8 Std)	1				
24	SP02015	Nut (3/8" UNF)	2				

## NOTE

Item 37 is not required on Tungsten Tipped option.

# 18. SCARIFIER CASSETTE

FT430 / FT510 / FT610  
PARTS CATALOGUE



# 18. SCARIFIER CASSETTE

FT430 / FT510 / FT610  
PARTS CATALOGUE

Item No.	Part No.	Description	Quantity	Item No.	Part No.	Description	Quantity
1	228062	3/4" Tube Bung (3132)	2	19	SP01008	Hex Set Screw (M6 x 16)	2
2	800047	1mm ScarLier HoE Assy (17))	1	20	SP01009	Hex Set Screw (M8 x 20)	3
2	800052	1mm ScarLier HoE Assy (20))	1	21	SP01011	Hex Set Screw (3/8" UNF x 3/4")	2
2	800057	1mm ScarLier HoE Assy (24))	1	22	SP02004	Nut (M6 Nyloc)	2
2	800048	2mm ScarLier HoE Assy (17))	1	23	SP02005	Nut (M8 Std)	1
2	800053	2mm ScarLier HoE Assy (20))	1	24	SP02015	Nut (3/8" UNF)	2
2	800058	2mm ScarLier HoE Assy (24))	1	25	SP02016	Nut (1/2" UNF)	6
2	800207	2mm TT ScarLier HoE Assy (17))	1	26	SP03004	Washer (M8 Toothed)	4
2	800206	2mm TT ScarLier HoE Assy (20))	1	27	SP03005	Washer (M10 Toothed)	4
2	800208	2mm TT ScarLier HoE Assy (24))	1	28	SP03006	Washer (M12 Toothed)	2
3	J20001	Cassette Side Plate WA NC LH	1	29	SP03007	Washer (M6 x 18)	4
4	J20002	Cassette Side Plate WA NC RH	1	30	SP03008	Washer (M8 Form A)	1
5	J20008	Back Plate With Hole	1	31	J17055	Square Shaft (17")	1
6	J17011	Cassette Tie Bar (17")	1	31	J20055	Square Shaft (20")	1
6	J20011	Cassette Tie Bar (20")	1	31	J24055	Square Shaft (24")	1
6	J24011	Cassette Tie Bar (24")	1	32	J20056	Spacer	AR
7	J20023	Unit Limiting Stud	1	33	J20059	Nut 7/8" UNF Lock (Thin)	1
8	J20041	Female Coupling	1	34	J20060	Lock Washer (Small)	1
9	J20051	Bearing Housing (6204)	2	35	J209080	Flange Stop	1
10	J20052	Bearing 6204-2RS 3	2	36	J20058	Scarifer Blade 1mm	AR
11	J17053	Tie Bar (17")	1	36	J20057	Scarifer Blade 2mm	AR
11	J20053	Tie Bar (20")	1	36	230105	Scarifer Blade TT	AR
11	J24053	Tie Bar (24")	1				
12	J17054	Deflector Plate Assy (17))	1				
12	J20054	Deflector Plate Assy (20))	1				
12	J24054	Deflector Plate Assy (24))	1				
13	J17061	Front Tie Bar All Cassettes (FT430)	1				
13	J20061	Front Tie Bar All Cassettes (FT510)	1				
13	J24061	Front Tie Bar All Cassettes (FT610)	1				
14	J209061	Deflector Bracket	2				
15	J209076	Bearing Blank Plate	1				
16	J179305	Shear Blade Adj Bar Assy (17")	1				
16	J209305	Shear Blade Adj Bar Assy (20")	1				
16	J249305	Shear Blade Adj Bar Assy (24")	1				
17	SP01006	Button Head (M8 x 20)	3				
18	SP01007	Coach Bolt (M6)	2				



# 19. SLITTER CASSETTE

FT430 / FT510 / FT610  
PARTS CATALOGUE

Item No.	Part No.	Description	Quantity	Item No.	Part No.	Description	Quantity
1	230318	Blanking Plate	1	26	J20057	Scarifer Blade 2mm	AR
2	J20000	Cassette Side Plate WA ND	2	<b>Not Shown</b>			
3	J17011	Cassette Tie Bar (17")	2	-	J20059	Nut 7/8" UNF Lock (Thin)	1
3	J20011	Cassette Tie Bar (20")	2				
3	J24011	Cassette Tie Bar (24")	2				
4	J20023	Unit Limiting Stud	1				
5	J20051	Bearing Housing (6204)	2				
6	J20052	Bearing 6204-2RS 3	2				
7	J17053	Tie Bar (17")	1				
7	J20053	Tie Bar (20")	1				
7	J24053	Tie Bar (24")	1				
8	J209076	Bearing Blank Plate	1				
9	J179305	Shear Blade Adj Bar Assy (17")	1				
9	J209305	Shear Blade Adj Bar Assy (20")	1				
9	J249305	Shear Blade Adj Bar Assy (24")	1				
10	SP01006	Button Head (M8 x 20)	3				
11	SP01009	Hex Set Screw (M8 x 20)	3				
12	SP01011	Hex Set Screw (3/8" UNF x 3/4")	2				
13	SP02005	Nut (M8 Std)	1				
14	SP02015	Nut (3/8" UNF)	2				
15	SP02016	Nut (1/2" UNF)	4				
16	SP03004	Washer (M8 Toothed)	4				
17	SP03005	Washer (M10 Toothed)	4				
18	SP03006	Washer (M12 Toothed)	2				
19	SP03008	Washer (M8 Form A)	1				
20	228062	3/4" Tube Bung (3132)	2				
21	800051	Slitter Hob Assy (17")	1				
21	800056	Slitter Hob Assy (20")	1				
21	800061	Slitter Hob Assy (24")	1				
22	230334	Slitter Shaft FT (17")	1				
22	230335	Slitter Shaft FT (20")	1				
22	230336	Slitter Shaft FT (24")	1				
23	J20056	Spacer	AR				
24	J20060	Lock Washer (Small)	1				
25	J209080	Flange Stop	1				



# 20. BRUSH CASSETTE

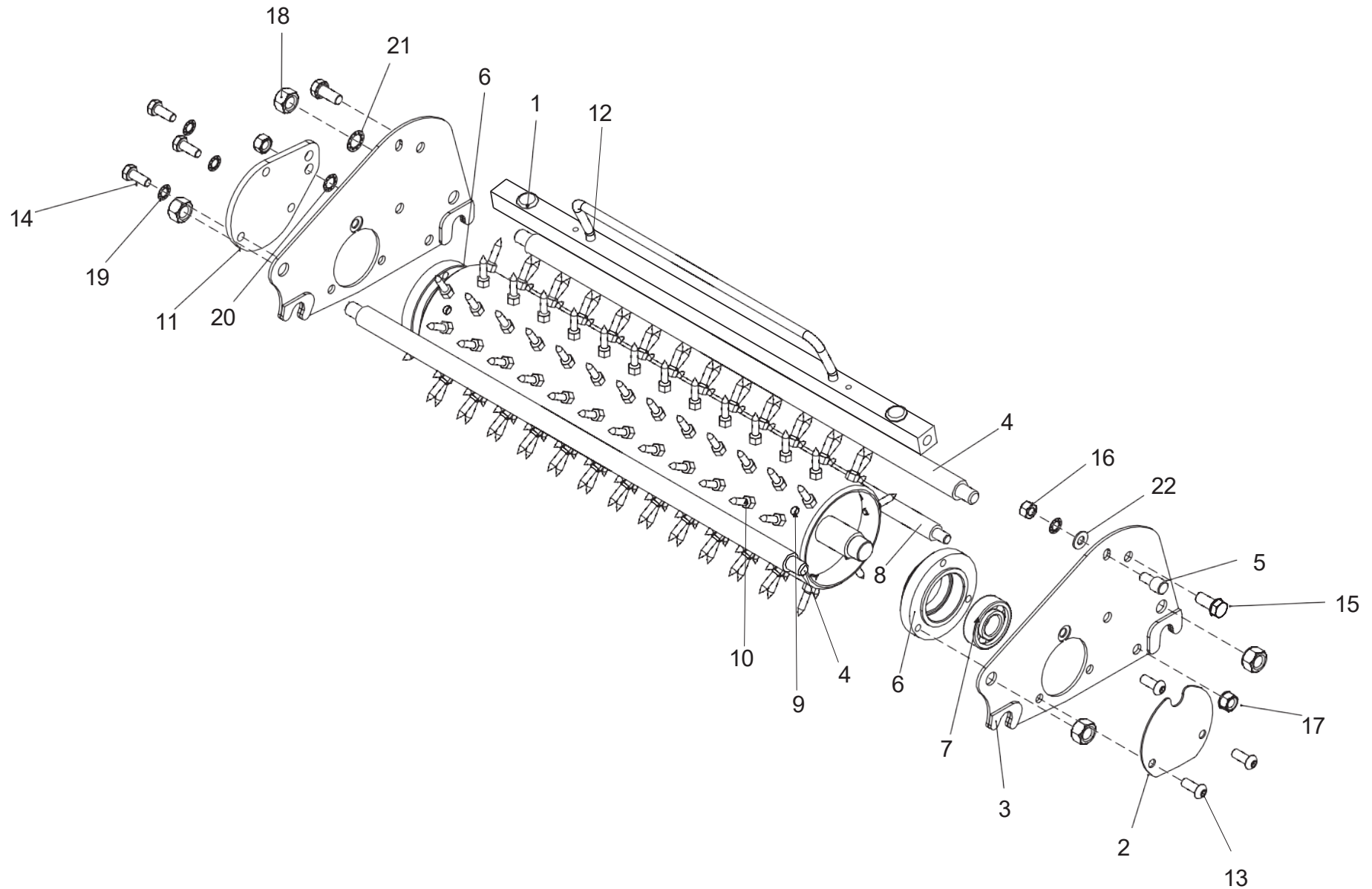
Item No.	Part No.	Description	Quantity	Item No.	Part No.	Description	Quantity
1	228062	3/4" Tube Bung (3132)	2	21	SP01011	Hex Set Screw (3/8" UNF x 3/4")	2
2	800174	Brush Shaft Assembly (17" Multi)	1	22	SP02004	Nut Nyloc (M6)	2
2	800186	Brush Shaft Assembly (20" Multi)	1	23	SP02005	Nut Std (M8)	1
2	800185	Brush Shaft Assembly (24" Multi)	1	24	SP02015	Nut (3/8" UNF)	2
2	800175	Brush Shaft Assembly (17" Standard)	1	25	SP02016	Nut (1/2" UNF)	6
2	800187	Brush Shaft Assembly (20" Standard)	1	26	SP03004	Washer (M8 Toothed)	4
2	800177	Brush Shaft Assembly (24" Standard)	1	27	SP03005	Washer (M10 Toothed)	4
3	J20001	Cassette Side Plate WA NC LH	1	28	SP03006	Washer (M12 Toothed)	2
4	J20002	Cassette Side Plate WA NC RH	1	29	SP03007	Washer (M6 x 18)	4
5	J20008	Back Plate With Hole	1	30	SP03008	Washer (M8 Form A)	1
6	J17011	Cassette Tie Bar (17")	1				
6	J20011	Cassette Tie Bar (20")	1				
6	J24011	Cassette Tie Bar (24")	1				
7	J20023	Unit Limiting Stud	1				
8	J20041	Female Coupling	1				
9	J20051	Bearing Housing (6204)	2				
10	J20052	Bearing 6204-2RS 3	2				
11	J17053	Tie Bar (17")	1				
11	J20053	Tie Bar (20")	1				
11	J24053	Tie Bar (24")	1				
12	J17054	Deflector Plate Assy (17")	1				
12	J20054	Deflector Plate Assy (20")	1				
12	J24054	Deflector Plate Assy (24")	1				
13	J17061	Front Tie Bar All Cassettes (17")	1				
13	J20061	Front Tie Bar All Cassettes (20")	1				
13	J24061	Front Tie Bar All Cassettes (24")	1				
14	J209061	Deflector Bracket	2				
15	J209076	Bearing Blank Plate	1				
16	J179305	Shear Blade Adj Bar Assy (17")	1				
16	J209305	Shear Blade Adj Bar Assy (20")	1				
16	J249305	Shear Blade Adj Bar Assy (24")	1				
17	SP01006	Button Head (M8 x 20)	3				
18	SP01007	Coach Bolt (M6)	2				
19	SP01008	Hex Set Screw (M6 x 16)	2				
20	SP01009	Hex Set Screw (M8 x 20)	3				

**NOTE**

Multi Brush shown in diagram (Item 2)

# 21. SORREL ROLLER CASSETTE

FT430 / FT510 / FT610  
PARTS CATALOGUE



# 21. SORREL ROLLER CASSETTE

Item No.	Part No.	Description	Quantity
1	228062	3/4" Tube Bung (3132)	2
2	230318	Blanking Plate	1
3	J20000	Cassette Side Plate WA ND	2
4	J17011	Cassette Tie Bar (17")	2
4	J20011	Cassette Tie Bar (20")	2
4	J24011	Cassette Tie Bar (24")	2
5	J20023	Unit Limiting Stud	1
6	J20051	Bearing Housing (6204)	2
7	J20052	Bearing 6204-2RS 3	2
8	J17053	Tie Bar (17")	1
8	J20053	Tie Bar (20")	1
8	J24053	Tie Bar (24")	1
9	J17810	Sorrel Roller (17")	1
9	J20810	Sorrel Roller (20")	1
9	J24810	Sorrel Roller (24")	1
10	J20811	Spike Sorrel Roller	126/150/186
11	J209076	Bearing Blank Plate	1
12	J179305	Shear Blade Adj Bar Assy (17")	1
12	J209305	Shear Blade Adj Bar Assy (20")	1
12	J249305	Shear Blade Adj Bar Assy (24")	1
13	SP01006	Button Head (M8 x 20)	3
14	SP01009	Hex Set Screw (M8 x 20)	3
15	SP01011	Hex Set Screw (3/8" UNF x 3/4")	2
16	SP02005	Nut (M8 Std)	1
17	SP02015	Nut (3/8" UNF)	2
18	SP02016	Nut (1/2" UNF)	4
19	SP03004	Washer (M8 Toothed)	4
20	SP03005	Washer (M10 Toothed)	4
21	SP03006	Washer (M12 Toothed)	2
22	SP03008	Washer (M8 Form A)	1
<b>Not Shown</b>			
-	J17816	Weight Bar 17"	1
-	J20816	Weight Bar 20"	1
-	J24816	Weight Bar 24"	1



Email  
[sales@howardsongroup.com](mailto:sales@howardsongroup.com)

---

UK & International  
Tel: +44 (0) 1332 824777

---

Head Office  
Ashbourne Road, Kirk Langley,  
Derby DE6 4NJ, UK

Due to a policy of continual development Howardson Group Ltd reserves the right to change specification without prior notification.  
All goods sold subject to the company's terms and conditions of sale, copies available on request.

E&EO

A large, solid gold-colored shape is located at the bottom of the page. It is a wide, shallow triangle that tapers to a point at the bottom center, mirroring the shape of the Dennis logo.