

Parts Catalogue

Battery Dedicated Mower

ES-30 & ES-36



DENNIS

TABLE OF CONTENTS

1. MAIN CHASSIS	4
2. SCRAPER BAR	6
3. ELECTRICAL SYSTEM	8
4. REAR ROLLER	10
5. REAR ROLLER (INNER ASSEMBLY)	12
6. REAR ROLLER (OUTER ASSEMBLY)	14
7. ROLLER DRIVE	16
8. MOTOR COVER	18
9. MECHANICAL PARKING BRAKE	20
10. CYLINDER	22
11. CYLINDER DRIVE	24
12. SHEAR BLADE	26
13. FRONT ROLLER	28
14. WEILE ROLLER	30
15. HANDLE MOUNTS	32
16. HANDLE CONSOLE	34
17. SCREEN PROTECTOR	36
18. GRASS BOX CRADLE	38
19. GUARDS	40
20. DECALS	42

Using this document

Parts are identified with a callout which corresponds to 'Item no.' on the parts table. This table may be on a subsequent page. Most parts are applicable to both models, however where they are not, this is noted.

Parts marked with an asterisk (*) are shown in further detail later in this document and are noted as such.

To order replacement parts, please quote your serial number, the part number and the quantity required.

Revision Number	Date	Description of Changes	Author
0.0	17/MAR/2026	New	C.B.

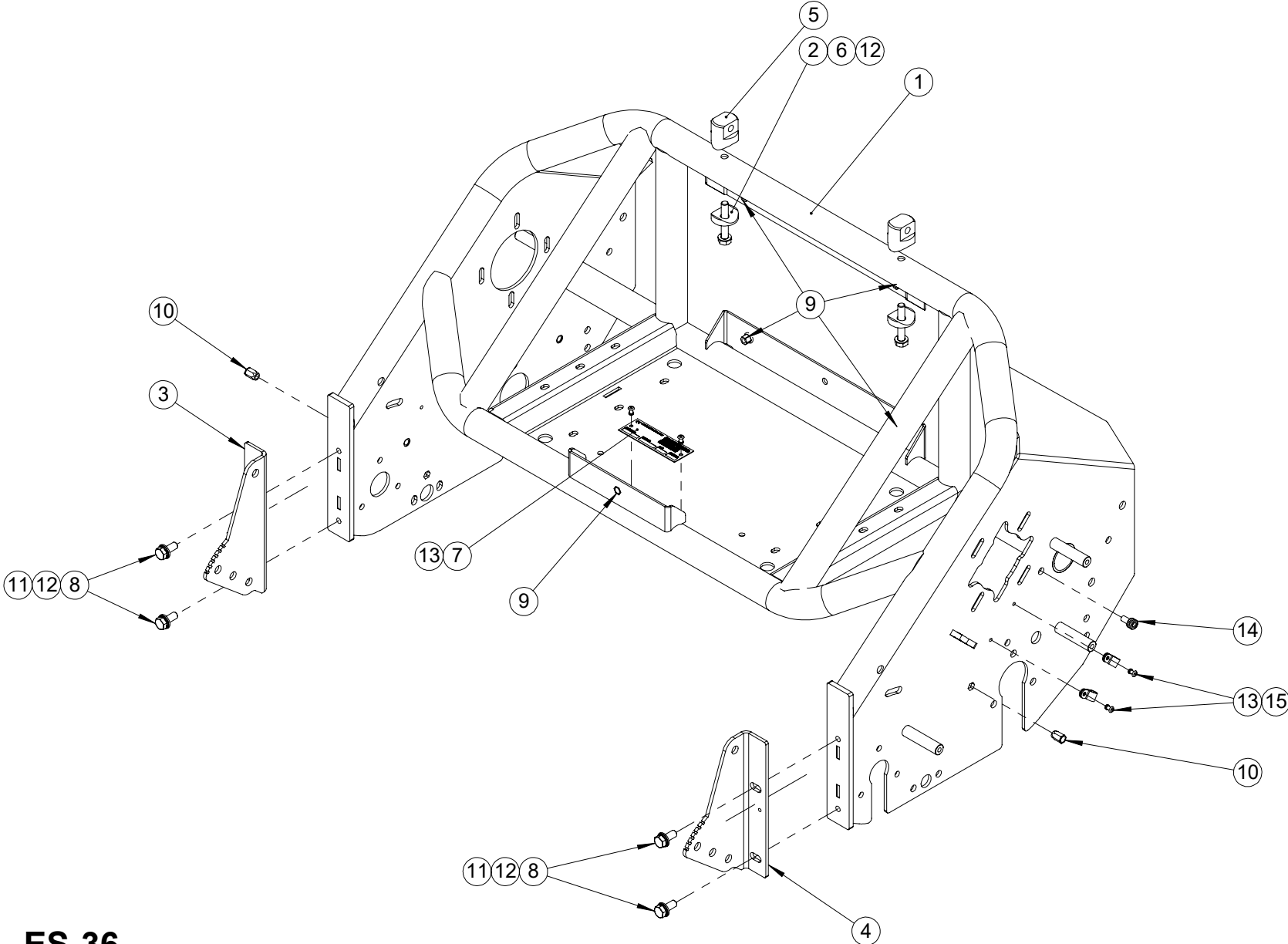
Copyright © 2004-2026 by Howardson Group Ltd. All Rights Reserved.

This document and all content within it, is protected by copyright and is the property of Howardson Group Ltd. You may not distribute, modify, transmit, copy or use the content of this document in any way, electronic or otherwise, whether in whole or in part, for commercial purposes or for personal gain. Any storage, reproduction or redistribution of the content by any means is prohibited without prior written consent from Howardson Group Ltd. You may store extracts from this document for your personal use only.

While every effort has been made to ensure the accuracy and completeness of the information contained in this document, we assume no responsibility or liability for errors or omissions. The information provided is on an "as is" basis without any warranties of any kind, either expressed or implied. We reserve the right to make changes to the product and its documentation at any time without prior notice. This includes, but is not limited to, modifications to the design, specifications, and functionality of the product. The latest version of the document will be available on our website or through our customer service department. Some imagery may not reflect the actual product you have.

PAGE INTENTIONALLY LEFT BLANK

1. MAIN CHASSIS



1. MAIN CHASSIS

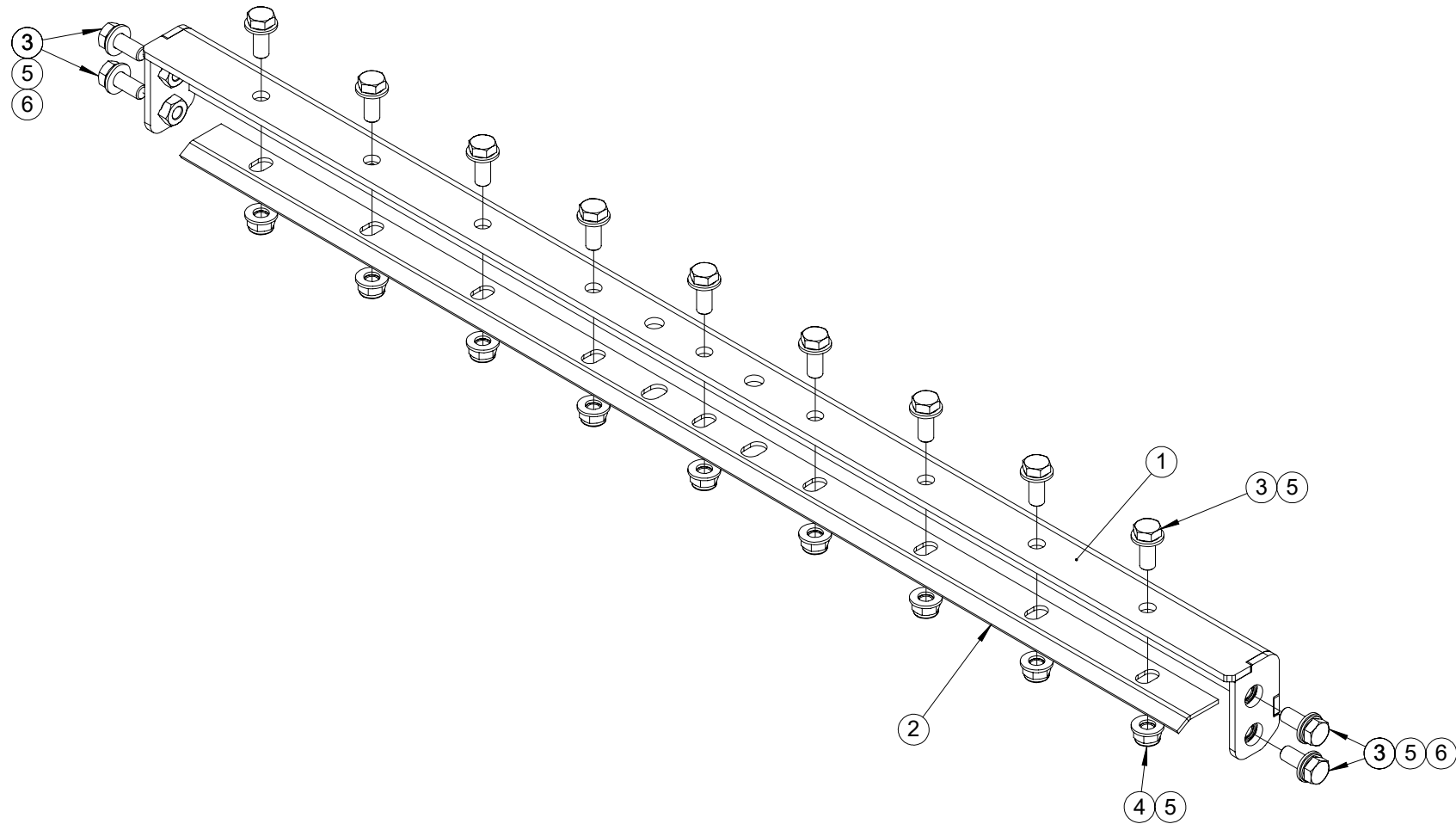
ITEM NO.	PART NUMBER	DESCRIPTION	QTY.
1	380020_REV2	CHASSIS 36" PREM ELECTRIC W.A.	1
	380320_REV1	CHASSIS 30" PREM ELECTRIC W.A.	1
2	380073_REV0	SADDLE WASHER	2
3	380080_REV0	ROLLER MOUNT R.H. PREM	1
4	380081_REV0	ROLLER MOUNT L.H. PREM	1
5	380156_REV0	HINGE PIVOT PREM	2
6	SP01047_REV0	HEX SET SCREW M10 X 60	2
7	J20297_REV2	SERIAL NO PLATE (DENNIS)	1
8	SP01035_REV0	HEX SET SCREW M10 X 25	4
9	SP02044_REV0	RIVNUT HEX M8 (0.5-3.0) [NO HEAD]	5
10	SP02045_REV0	RIVNUT HEX M8 (4.0-6.0) [NO HEAD]	2
11	SP03011_REV0	WASHER M10 FORM A	4
12	SP03034_REV0	WASHER M10 SPRING LOCK	6
13	SP05018_REV0	RIVET 4.8 X 18	4
14	SP12092_REV0	GROMMET EXTENDED 6MM	1
15	SP14019_REV0	P CLIP 10MM NYLON	2

ES-36 ONLY

ES-30 ONLY

NOTE: ITEM ⑦ LOCATED ON SIDE OF CHASSIS ON 30" MACHINE

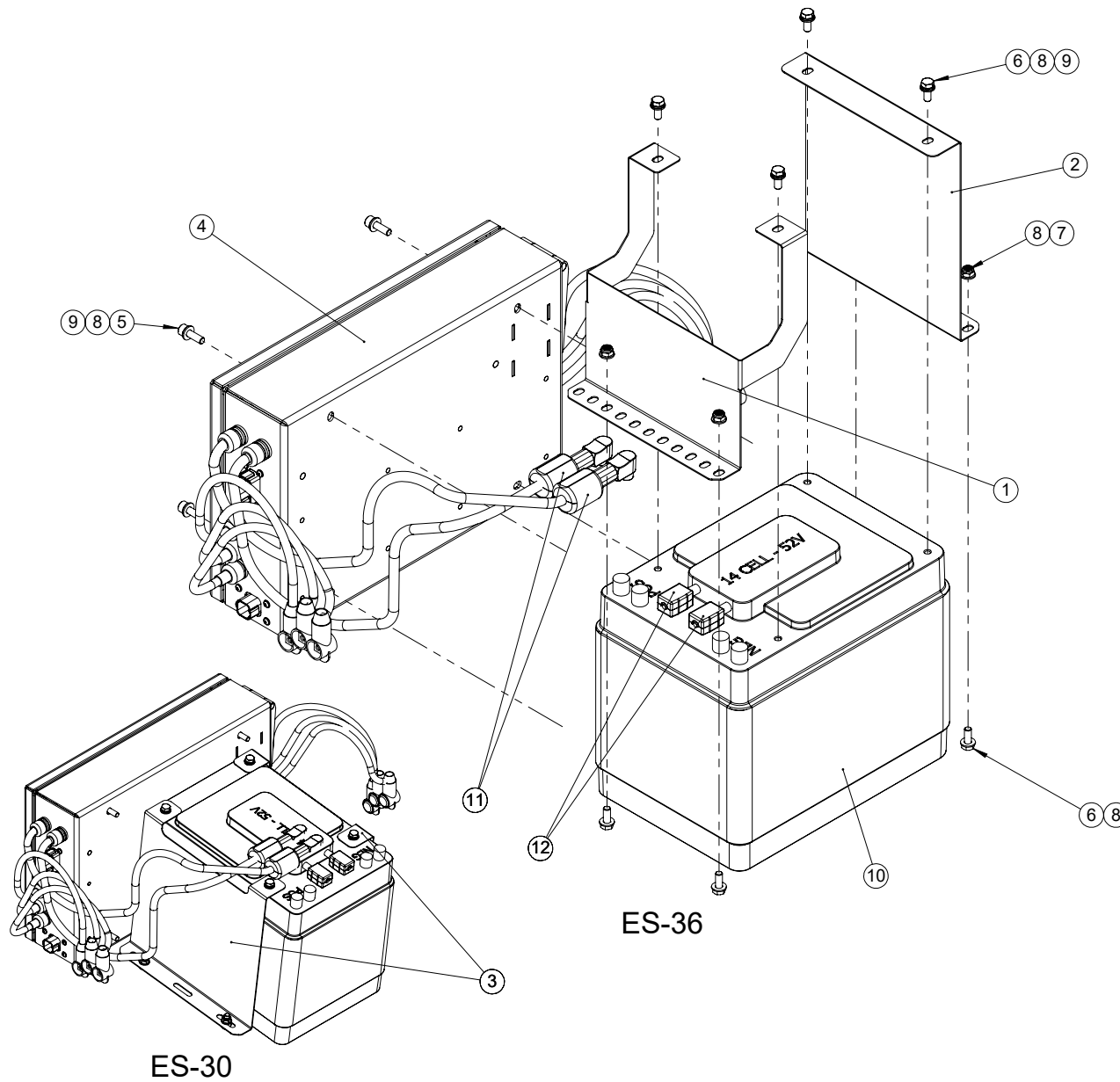
2. SCRAPER BAR



2. SCRAPER BAR

ITEM NO.	PART NUMBER	DESCRIPTION	QTY.	
1	380095_REV1	SCRAPER BAR 36" W.A.	1	<i>ES-36 ONLY</i>
	380395_REV0	SCRAPER BAR 30" W.A.	1	<i>ES-30 ONLY</i>
2	380097_REV0	SCRAPER 36"	1	<i>ES-36 ONLY</i>
	380397_REV0	SCRAPER 30"	1	<i>ES-30 ONLY</i>
3	SP01035_REV0	HEX SET SCREW M10 X 25	13 / 11	
4	SP02008_REV0	NUT M10 NYLOC (T)	9 / 7	
5	SP03011_REV0	WASHER M10 FORM A	22 / 18	
6	SP03034_REV0	WASHER M10 SPRING LOCK	4	

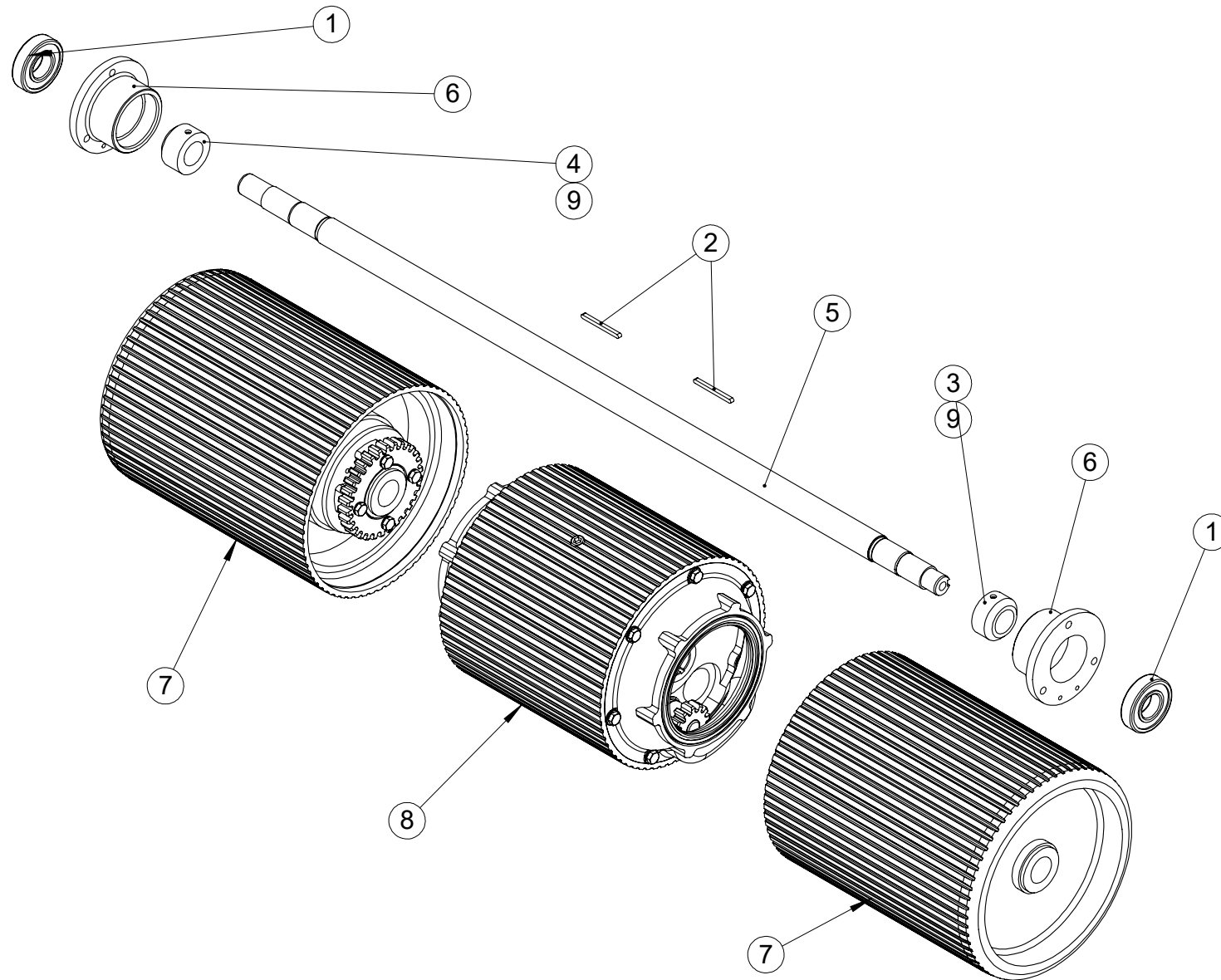
3. ELECTRICAL SYSTEM



3. ELECTRICAL SYSTEM

ITEM NO.	PART NUMBER	DESCRIPTION	QTY.
1	380043_REV0	BATTERY BRACE R.H.	1
2	380044_REV0	BATTERY BRACE L.H.	1
3	380344_REV0	BATTERY BRACE	2
4	800253_REV6	HYPERDRIVE ELECTRIC CONTROL ASSY	1
5	F20384_REV1	CAP HEAD M8 X 25	4
6	SP01009_REV0	HEX SET SCREW M8 X 20	8
7	SP02006_REV0	NUT M8 NYLOC (T)	4
8	SP03008_REV0	WASHER M8 FORM A	16
9	SP03029_REV0	WASHER M8 SPRING LOCK	8
10	SP12126_REV0	HYPERDRIVE CELL - HYP-00-2890	1
11	SP12213_REV0	LARGE FERRITE - 742 721 51	2
12	SP12212_REV0	SMALL FERRITE - 742 721 31	2

4. REAR ROLLER



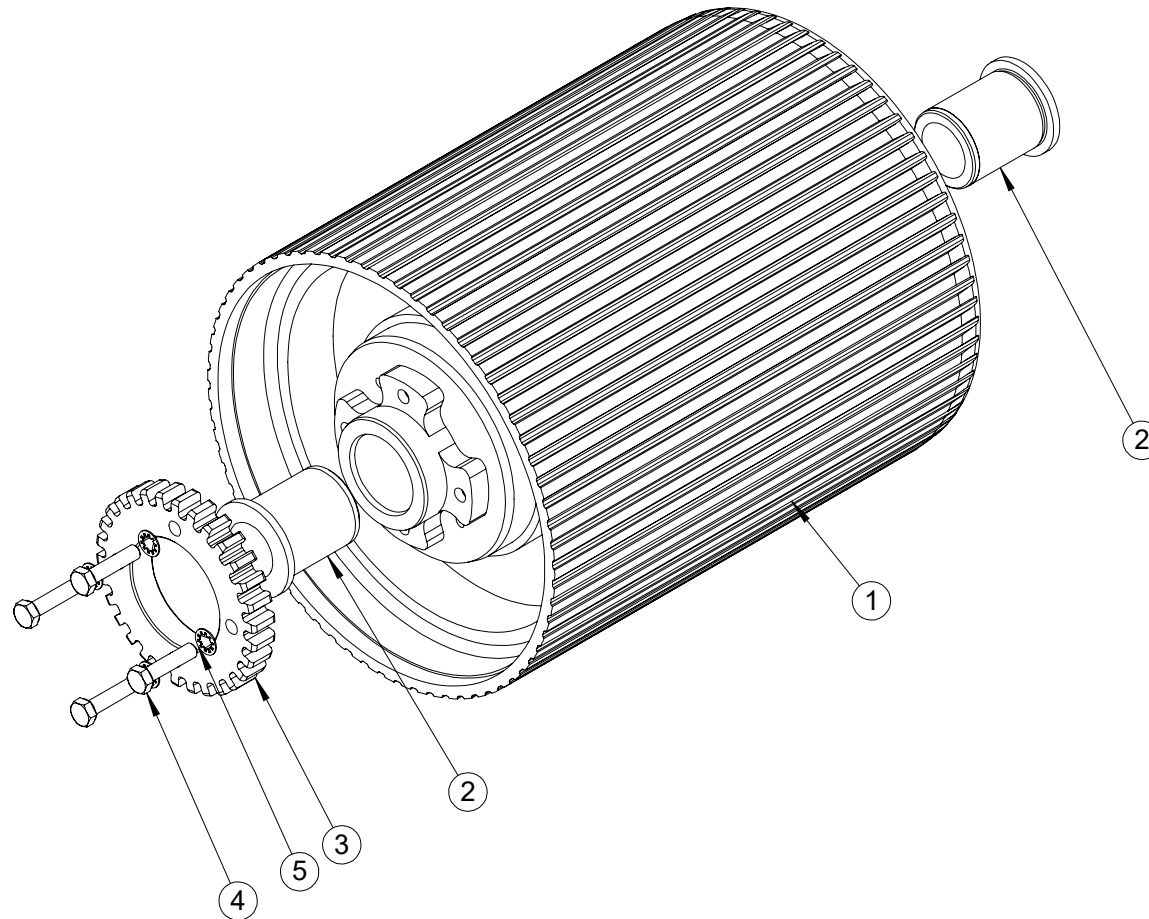
4. REAR ROLLER

ITEM NO.	PART NUMBER	DESCRIPTION	QTY.	
1	065824_REV0	BEARING RLS9-2RS	2	
2	089575_REV0	KEY 3/16" X 3/16" X 2 1/4" RD END	2	
3	185660_REV1	LOCKING COLLAR (SMALL)	1	
4	185662_REV1	LOCKING COLLAR	1	
5	380035_REV0	36" ROLLER SHAFT ELECTRIC	1	<i>ES-36 ONLY</i>
	380335_REV0	30" ROLLER SHAFT ELECTRIC	1	<i>ES-30 ONLY</i>
6	380036_REV1	BRG HOUSING REAR ROLLER	2	
7	800752_REV0	ROLLER OUTER ASSY 36" (SOLID)	2	<i>ES-36 ONLY</i>
	800751_REV0	ROLLER OUTER ASSY 30" (SOLID)	2	<i>ES-30 ONLY</i>
8	800753_REV0	ROLLER INNER ASSY SOLID	1	
9	J20467_REV0	GRUB SCREW M8 X 8	2	

5. REAR ROLLER (INNER ASSEMBLY)

ITEM NO.	PART NUMBER	DESCRIPTION	QTY.
1	016386_REV0	KEY WOODRUFF 3/16" X 7/8"	2
2	052602_REV1	GEAR DIFFERENTIAL PINION	2
3	158356_REV1	THRUST WASHER SOFT	3
4	158357_REV1	WASHER THRUST HARD	3
5	158372_REV1	GEAR DIFF DOUBLE PINION	1
6	158373_REV1	SHAFT DIFFERENTIAL PINION	1
7	171702_REV1	GRUB SCREW 3/8" BSPT	1
8	185665_REV1	PIVOT DIFFERENTIAL PINION	1
9	185666_REV1	OIL SEAL HOUSING	2
10	380415_REV0	INNER ROLLER (SOLID)	1
11	601620_REV1	BUSH 12DU16	1
12	603174_REV1	PIN SPIROL M5 X 35	2
13	604249_REV1	SEAL REAR ROLLER (PREM)	2
14	604730_REV1	NUT 5/8" UNF PHIL	1
15	SP01009_REV0	HEX SET SCREW M8 X 20	12
16	SP03008_REV0	WASHER M8 FORM A	12
17	SP03021_REV0	WASHER M16 FORM C	1

6. REAR ROLLER (OUTER ASSEMBLY)



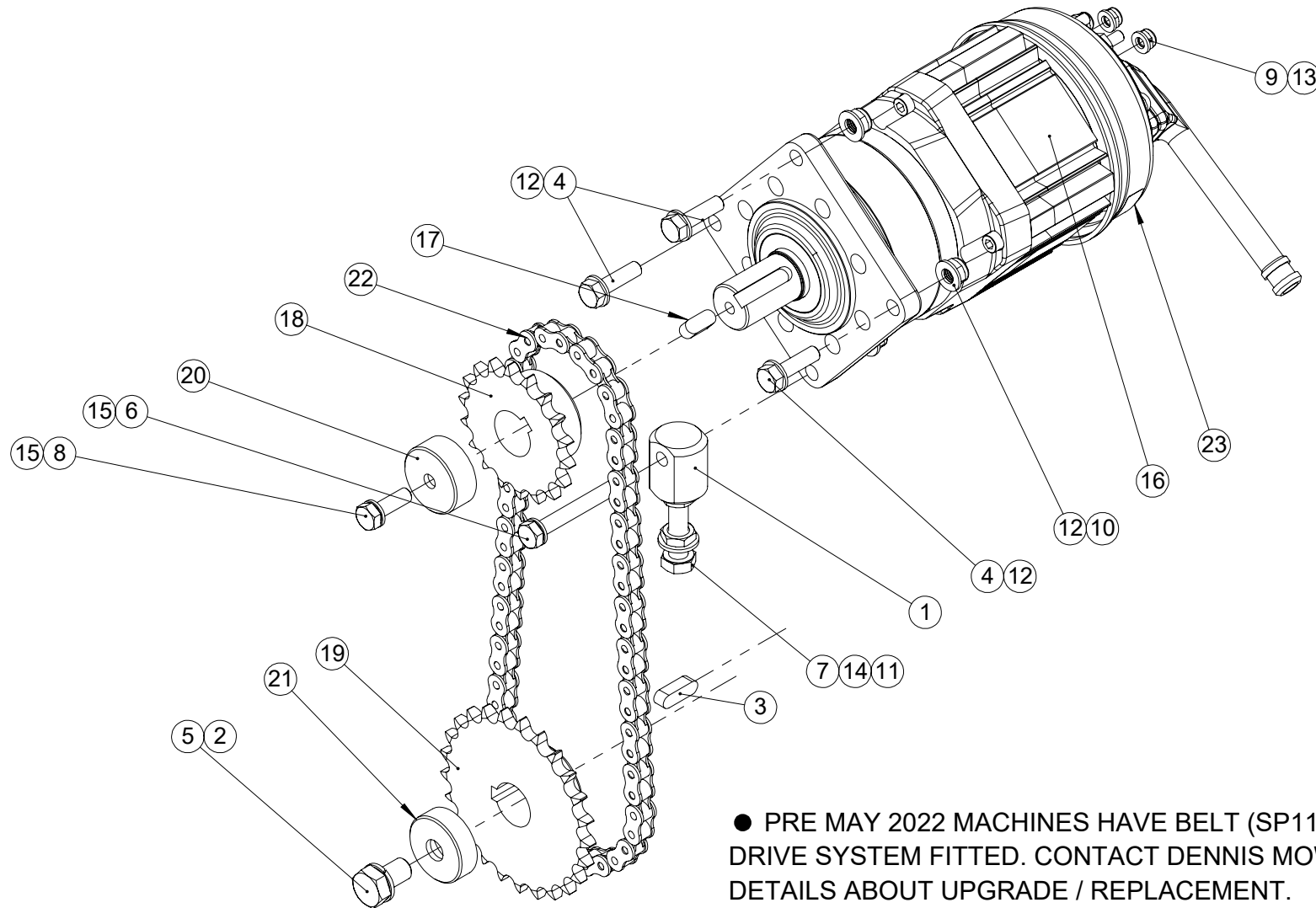
6. REAR ROLLER (OUTER ASSEMBLY)

ITEM NO.	PART NUMBER	DESCRIPTION	QTY.
1	380424_REV0	OUTER ROLLER 36" (SOLID)	1
	380406_REV0	OUTER ROLLER 30" (SOLID)	1
2	158374_REV2	REAR ROLLER BUSH	2
3	052601_REV1	GEAR DIFFERENTIAL WHEEL	1
4	SP01036_REV0	HEX SET SCREW M8 X 35	4
5	SP03004_REV0	WASHER M8 TOOTHED	4

ES-36 ONLY

ES-30 ONLY

7. ROLLER DRIVE

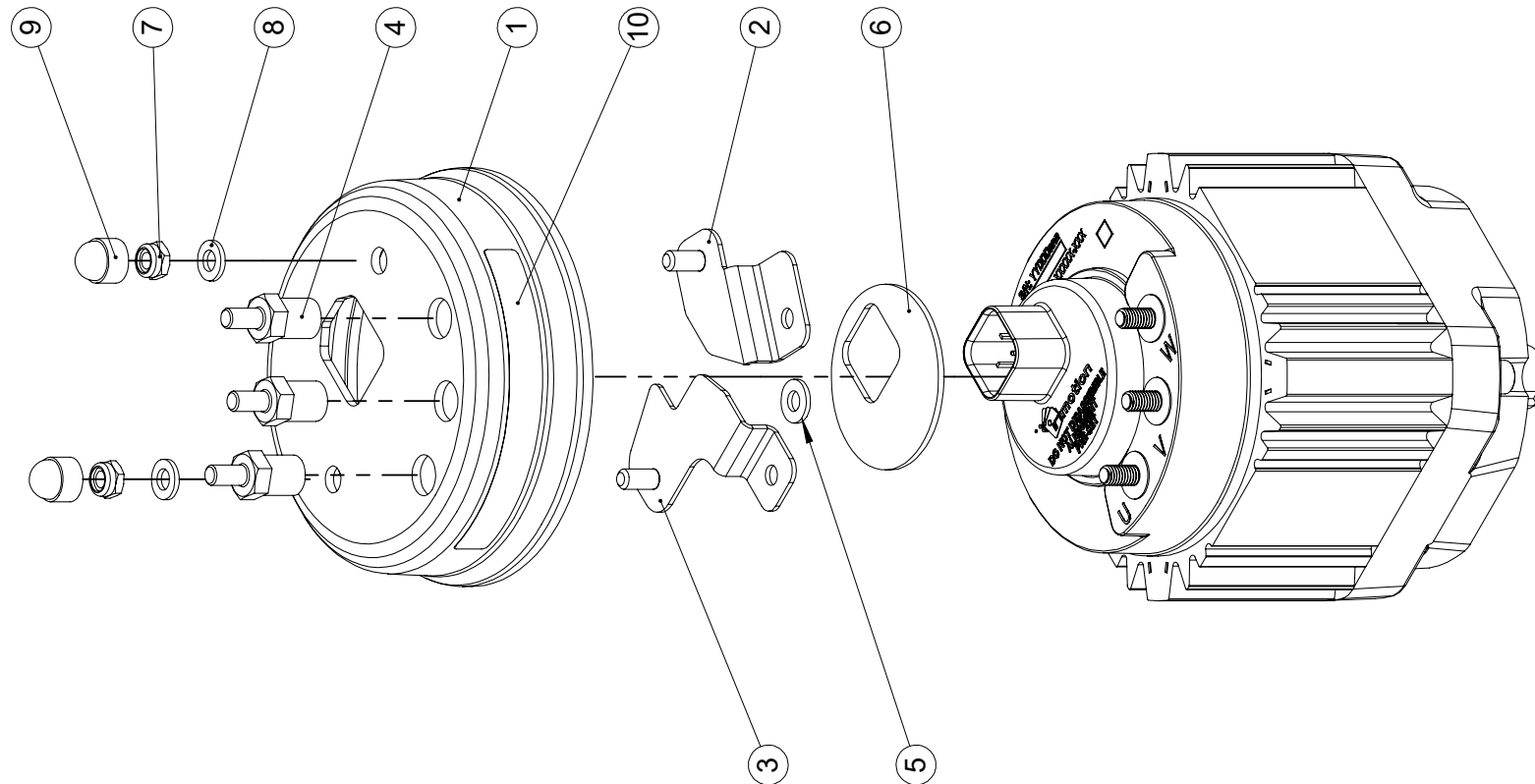


7. ROLLER DRIVE

ITEM NO.	PART NUMBER	DESCRIPTION	QTY.
1	370096_REV1	TENSIONER BLOCK	1
2	E1-1065_REV0	WASHER M12 SPRING LOCK	1
3	F20684_REV0	KEY PARALLEL 8 X 7 X 25	1
4	SP01005_REV0	HEX SET SCREW M8 X 30	3
5	SP01021_REV0	HEX SET SCREW M12 X 20	1
6	SP01023_REV0	HEX SET SCREW M8 X 60	1
7	SP01047_REV0	HEX SET SCREW M10 X 60	1
8	SP01045_REV0	HEX SET SCREW M8 X 25	1
9	SP02004_REV0	NUT M6 NYLOC	3
10	SP02006_REV0	NUT M8 NYLOC (T)	4
11	SP02013_REV0	NUT M10 LOCK (THIN)	2
12	SP03008_REV0	WASHER M8 FORM A	7
13	SP03010_REV0	WASHER M6 FORM A	3
14	SP03011_REV0	WASHER M10 FORM A	1
15	SP03029_REV0	WASHER M8 SPRING LOCK	2
16	SP15105_REV0	106 MOTOR AND GEARBOX	1
17	SP10001_REV2	KEY 8 X 7 X 20 RD END	1
18	SP11128_REV0	SPROCKET 08B-18T (1/2") MACHINED	1
19	SP11130_REV0	SPROCKET 08B-25T (1/2") MACHINED	1
20	380195_REV0	UPPER PULLEY RETAINER	1
21	380196_REV0	LOWER PULLEY RETAINER	1
22	SP11148_REV1	CHAIN 08B (1/2" PITCH) - 58 LINKS	1
23	800748_REV1	ELECTRIC MOTOR COVER KIT	1

● PRE MAY 2022 MACHINES HAVE BELT (SP11118) AND PULLEY DRIVE SYSTEM FITTED. CONTACT DENNIS MOWERS FOR MORE DETAILS ABOUT UPGRADE / REPLACEMENT.

8. MOTOR COVER

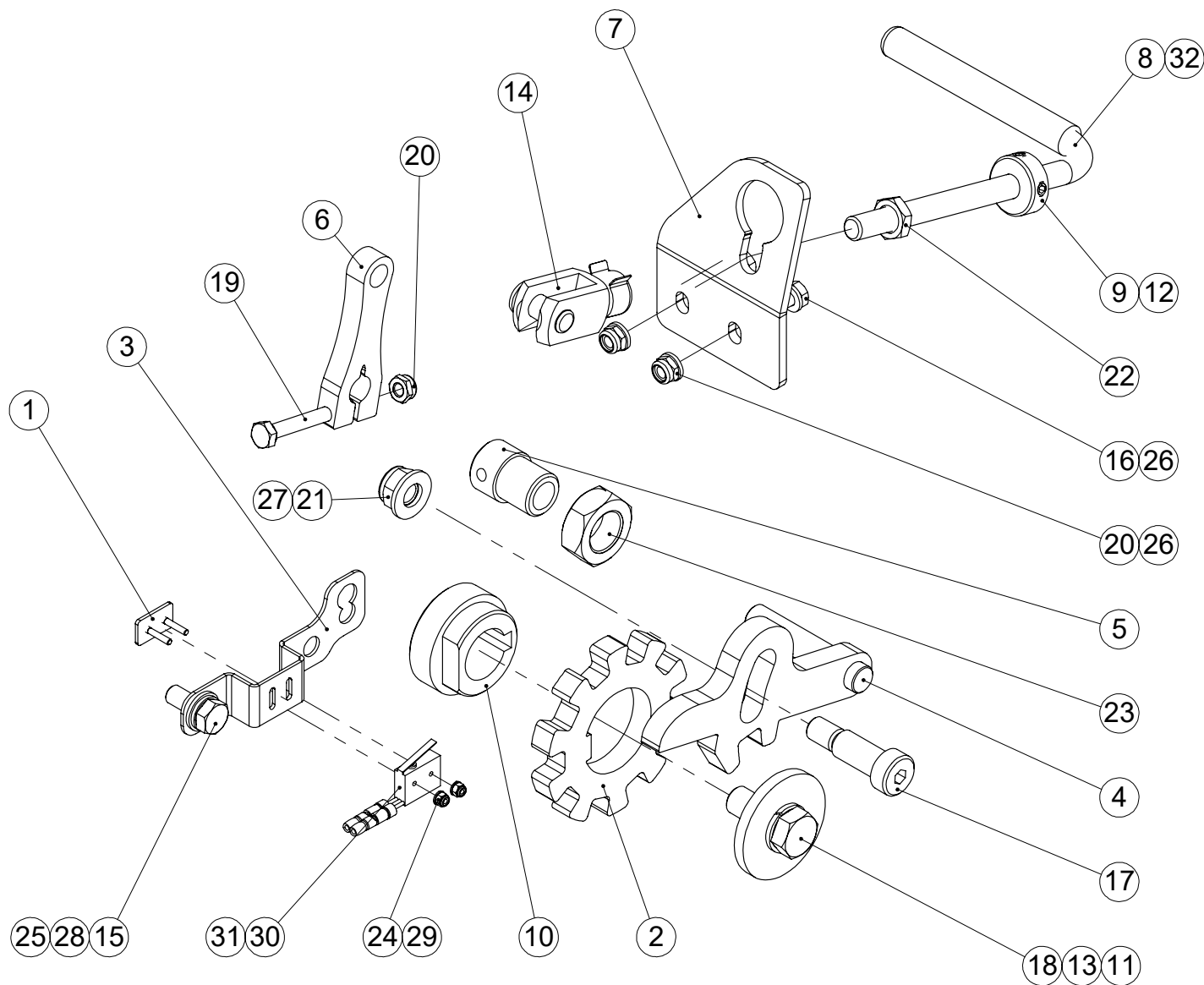


8. MOTOR COVER

ITEM NO.	PART NUMBER	DESCRIPTION	QTY.
1	370400_REV0	ASM MOTOR BACK SHELL	1
2	370401_REV0	ASM MOTOR CLIP - A	1
3	370402_REV0	ASM MOTOR CLIP - B	1
4	370407_REV0	MOTOR STUD	3
5	370408_REV0	MOTOR STUD SPACER	1
6	370409_REV0	MOTOR COMPRESSION PAD	1
7	SP02004_REV0	NUT M6 NYLOC	2
8	SP03010_REV0	WASHER M6 FORM A	2
9	SP14058_REV0	NUT COVER CAP M6 (10mm AF)	2
10	SP18050_REV0	U, V, W MOTOR COVER DECAL	1

9. MECHANICAL PARKING BRAKE

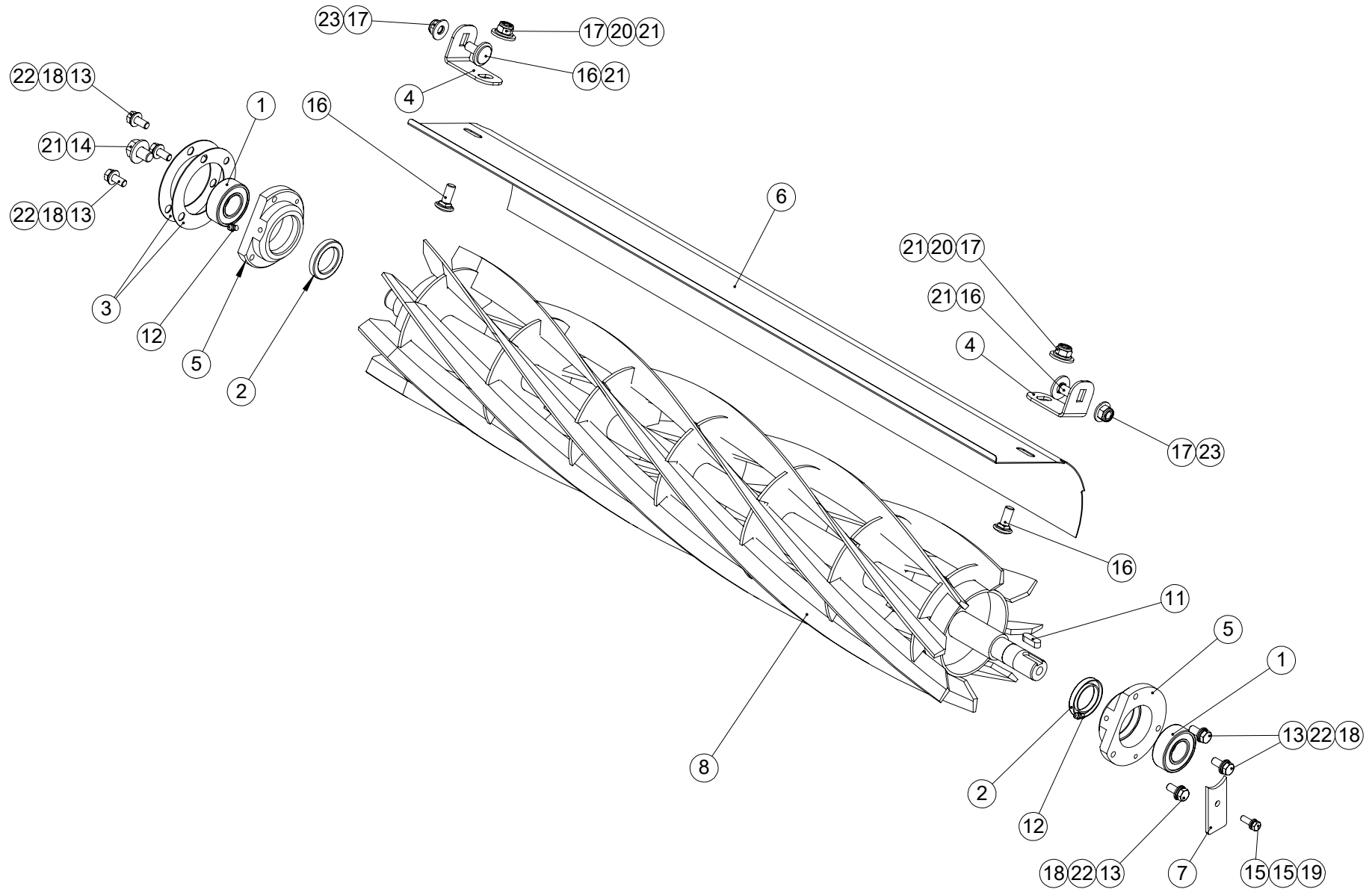
ES-30 / ES-36
PARTS CATALOGUE



9. MECHANICAL PARKING BRAKE

ITEM NO.	PART NUMBER	DESCRIPTION	QTY.
1	340135_REV0	MICROSWITCH MOUNT PLATE	1
2	340185_REV1	BRAKE DISC	1
3	340189_REV1	BRAKE SENSOR BRACKET	1
4	340195_REV2	BRAKE HAMMER W.A.	1
5	340197_REV0	BRAKE BUSH	1
6	340200_REV2	BRAKE CLAMP	1
7	370140_REV0	PARKING BRAKE PLATE	1
8	370141_REV0	BRAKE BAR	1
9	370142_REV0	BRAKE LOCK COLLAR	1
10	370175_REV0	BRAKE BOSS	1
11	370176_REV0	BRAKE WASHER	1
12	D8068_REV0	GRUB SCREW M6 X 6	2
13	E1-1065_REV0	WASHER M12 SPRING LOCK	1
14	HURM216_REV0	CLEVIS ASSY M10 SHORT	1
15	SP01009_REV0	HEX SET SCREW M8 X 20	1
16	SP01028_REV0	HEX SET SCREW M6 X 20	2
17	SP01029_REV0	SHOULDER BOLT 12 X 25 M10	1
18	SP01065_REV0	HEX SET SCREW M12 X 30	1
19	SP01054_REV0	HEX SET SCREW M6 X 35	1
20	SP02004_REV0	NUT M6 NYLOC	3
21	SP02008_REV0	NUT M10 NYLOC (T)	1
22	SP02013_REV0	NUT M10 LOCK (THIN)	1
23	SP02034_REV0	NUT 3/4" UNF STD	1
24	SP02059_REV0	NUT M2.5 NYLOC (P)	2
25	SP03008_REV0	WASHER M8 FORM A	1
26	SP03010_REV0	WASHER M6 FORM A	4
27	SP03011_REV0	WASHER M10 FORM A	1
28	SP03029_REV0	WASHER M8 SPRING LOCK	1
29	SP03039_REV0	WASHER M2.5 FORM A	2
30	SP12007_REV0	MICRO SWITCH DC1C-C3LB	1
31	SP12014_REV0	ELECTRICAL CONNECTOR MALE BULLET (RED)	2
32	SP14050_REV0	HANDLE GRIP (S&R - DG187) RED	1

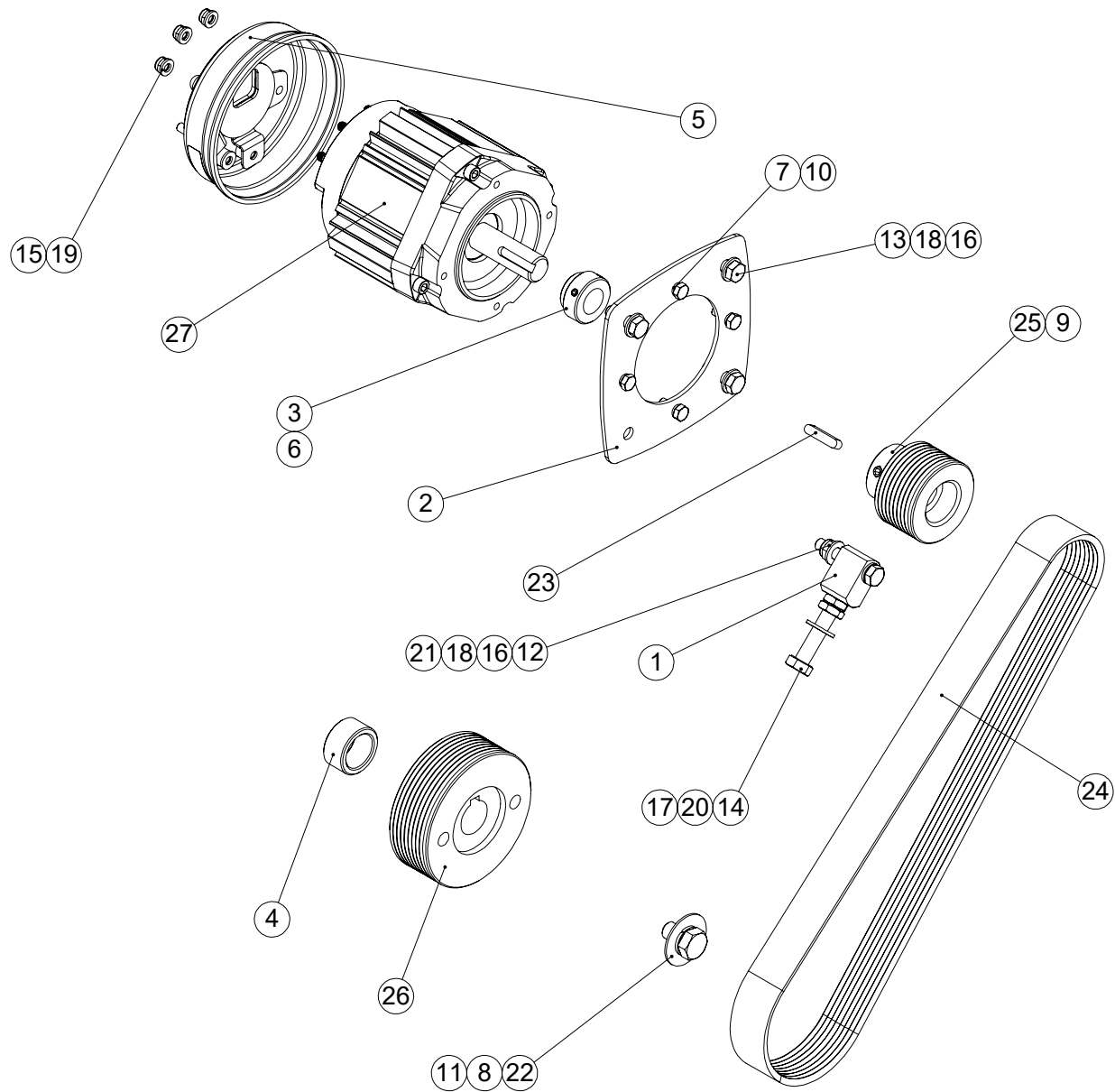
10. CYLINDER



10. CYLINDER

ITEM NO.	PART NUMBER	DESCRIPTION	QTY.	
1	228029_REV1	BEARING 2205 2RS	2	
2	229701_REV1	OIL SEAL 32 X 47 X 7	2	
3	340032_REV0	BEARING SPACER	2	
4	340051_REV0	DEFLECTOR BRACKET	2	
5	340104_REV0	BEARING HOUSING CYLINDER	2	
6	380050_REV0	36" DEFLECTOR (178)	1	ES-36 ONLY
	380350_REV0	30" DEFLECTOR (178)	1	ES-30 ONLY
7	380057_REV1	CHASSIS INFILL	1	
8	380100_REV0	CYLINDER 8 BLADE 36"	1	ES-36 ONLY
	380300_REV0	CYLINDER 8 BLADE 30"	1	ES-30 ONLY
9	E1-1061_REV0	WASHER M6 SPRING	1	
10	E1-1065_REV0	WASHER M12 SPRING LOCK	1	
11	F20684_REV0	KEY PARALLEL 8 X 7 X 25	1	
12	J20064_REV0	GREASE NIPPLE 1/4" UNF	2	
13	SP01009_REV0	HEX SET SCREW M8 X 20	6	
14	SP01021_REV0	HEX SET SCREW M12 X 20	1	
15	SP01028_REV0	HEX SET SCREW M6 X 20	1	
16	SP01044_REV0	COACH BOLT M10 X 25	4	
17	SP02008_REV0	NUT M10 NYLOC (T)	4	
18	SP03008_REV0	WASHER M8 FORM A	6	
19	SP03010_REV0	WASHER M6 FORM A	1	
20	SP03011_REV0	WASHER M10 FORM A	2	
21	SP03017_REV0	WASHER M12 FORM C	5	
22	SP03029_REV0	WASHER M8 SPRING LOCK	6	
23	SP03016_REV0	WASHER M10 FORM C	2	

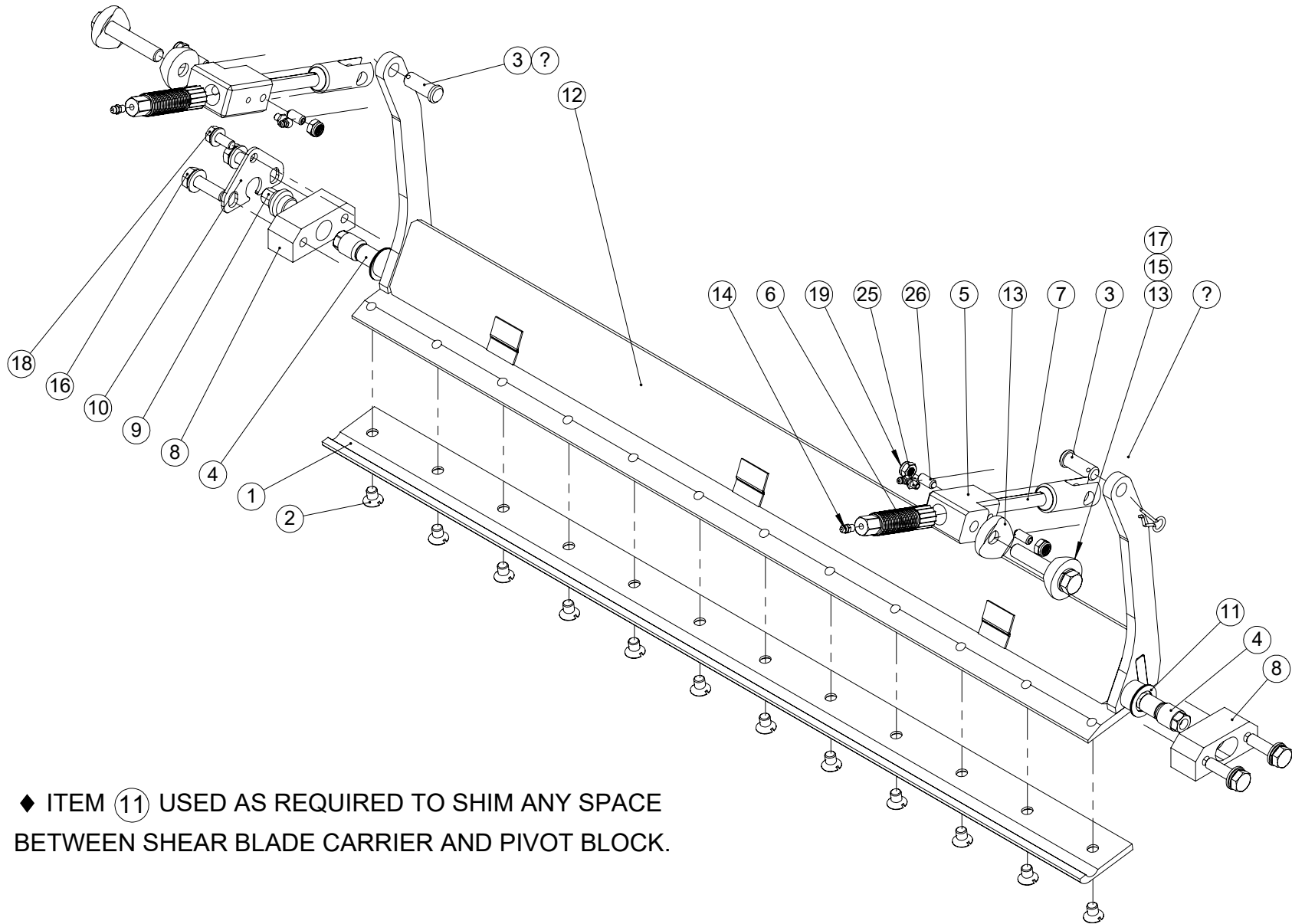
11. CYLINDER DRIVE



11. CYLINDER DRIVE

ITEM NO.	PART NUMBER	DESCRIPTION	QTY.
1	370096_REV1	TENSIONER BLOCK	1
2	370135_REV0	MOTOR PLATE	1
3	370185_REV0	CYLINDER MOTOR SPACER	1
4	380105_REV0	PULLEY SPACER (CYL)	1
5	800748_REV0	ELECTRIC MOTOR COVER KIT	1
6	D8068_REV0	GRUB SCREW M6 X 6	2
7	E1-1061_REV0	WASHER M6 SPRING	4
8	E1-1065_REV0	WASHER M12 SPRING LOCK	1
9	J20467_REV0	GRUB SCREW M8 X 8	2
10	SP01008_REV0	HEX SET SCREW M6 X 16	4
11	SP01021_REV0	HEX SET SCREW M12 X 20	1
12	SP01022_REV0	HEX SET SCREW M8 X 50	1
13	SP01045_REV0	HEX SET SCREW M8 X 25	3
14	SP01047_REV0	HEX SET SCREW M10 X 60	1
15	SP02004_REV0	NUT M6 NYLOC	3
16	SP02006_REV0	NUT M8 NYLOC (T)	4
17	SP02013_REV0	NUT M10 LOCK (THIN)	2
18	SP03008_REV0	WASHER M8 FORM A	7
19	SP03010_REV0	WASHER M6 FORM A	3
20	SP03011_REV0	WASHER M10 FORM A	1
21	SP03029_REV0	WASHER M8 SPRING LOCK	1
22	SP03040_REV0	WASHER M12 REPAIR	1
23	SP10005_REV0	KEY 6 X 6 X 30 RD END	1
24	SP11086_REV0	BELT V-RIBBED 8 PK 940	1
25	SP11088_REV0	PULLEY DIA 60 PK 8 RIB	1
26	SP11119_REV0	CYLINDER DRIVE PULLEY	1
27	SP15104_REV0	ASM106 48V MOTOR	1

12. SHEAR BLADE



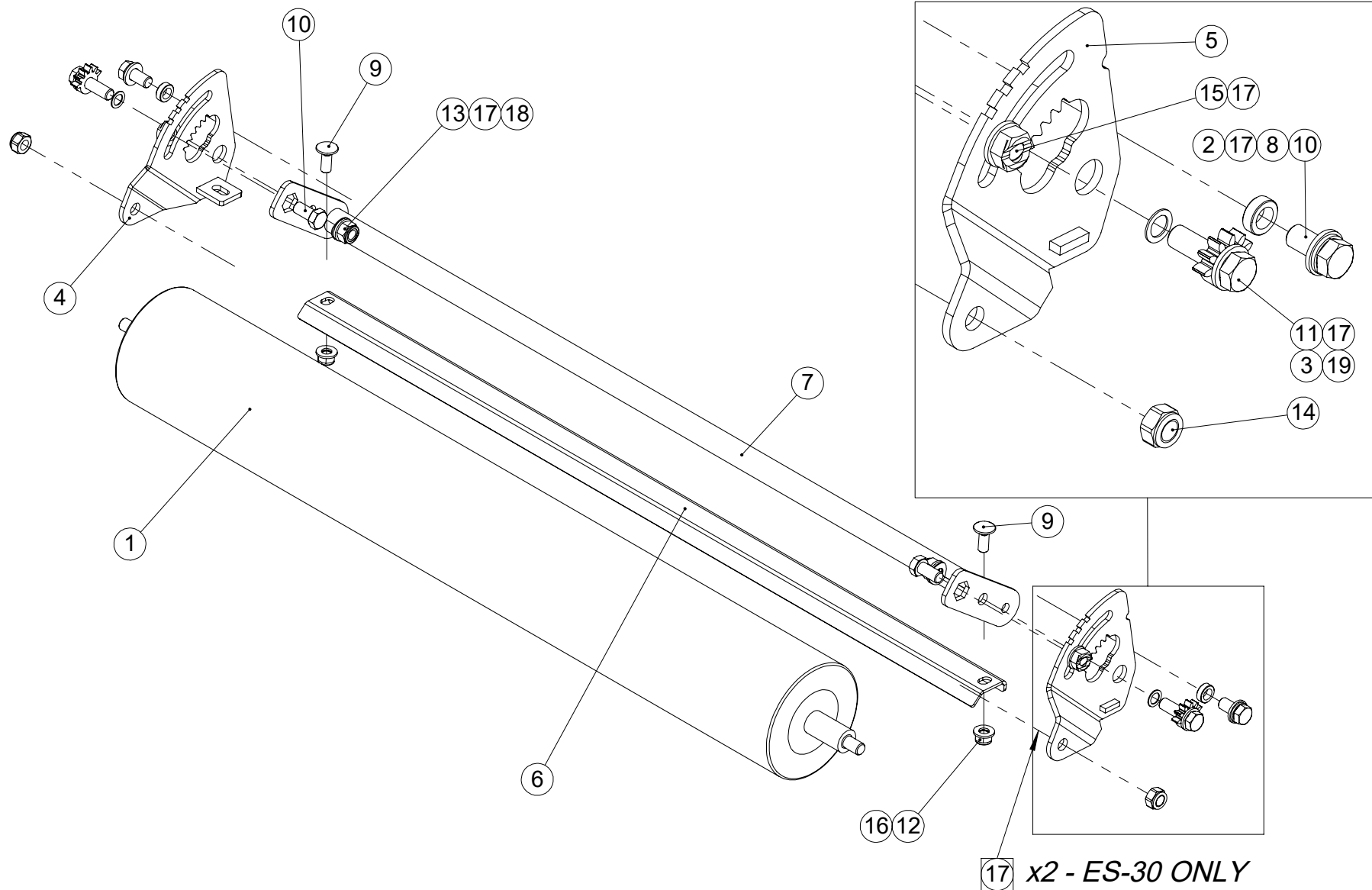
◆ ITEM 11 USED AS REQUIRED TO SHIM ANY SPACE BETWEEN SHEAR BLADE CARRIER AND PIVOT BLOCK.

12. SHEAR BLADE

ITEM NO.	PART NUMBER	DESCRIPTION	QTY.	
1	086792_REV2	SHEAR BLADE 36" LIPPED	1	ES-36 ONLY
	067171_REV3	SHEAR BLADE 30" LIPPED	1	ES-30 ONLY
2	185378_REV1	SCREW 3/8" X 1/2" UNF	12 / 10	
3	228022_REV4	CLEVIS PIN	2	
4	230699_REV1	PIVOT BOLT	2	
5	230725_REV0	ADJUSTER PIVOT	2	
6	230726_REV0	ADJUSTER FEMALE	2	
7	230727_REV0	ADJUSTER MALE	2	
8	340075_REV1	PIVOT BLOCK	2	
9	340076_REV1	PIVOT CAM	1	
10	340077_REV0	RETAINING PLATE	1	
11	340078_REV0	PIVOT SHIM	4	◆
12	380060_REV0	36" SHEAR BLADE CARRIER	1	ES-36 ONLY
	380360_REV0	30" SHEAR BLADE CARRIER	1	ES-30 ONLY
13	380073_REV0	SADDLE WASHER	4	
14	D1947_REV1	GREASE NIPPLE M6	2	
15	E1-1065_REV0	WASHER M12 SPRING LOCK	2	
16	E1-1119_REV0	HEX SET SCREW M10 X 35	4	
17	E1-1162_REV0	HEX BOLT M12 X 65	2	
18	SP01009_REV0	HEX SET SCREW M8 X 20	1	
19	SP02006_REV0	NUT M8 NYLOC (T)	4	
20	SP03008_REV0	WASHER M8 FORM A	1	
21	SP03011_REV0	WASHER M10 FORM A	4	
22	SP03029_REV0	WASHER M8 SPRING LOCK	1	
23	SP03034_REV0	WASHER M10 SPRING LOCK	4	
24	D1899_REV1	R-CLIP (REF S490009)	2	
25	D1948_REV0	GREASE NIPPLE 6MM 90 DEG	2	
26	SP14046_REV0	SPRING DETENT M8 SS	4	

◆ ITEM ⑪ USED AS REQUIRED TO SHIM ANY SPACE BETWEEN SHEAR BLADE CARRIER AND PIVOT BLOCK.

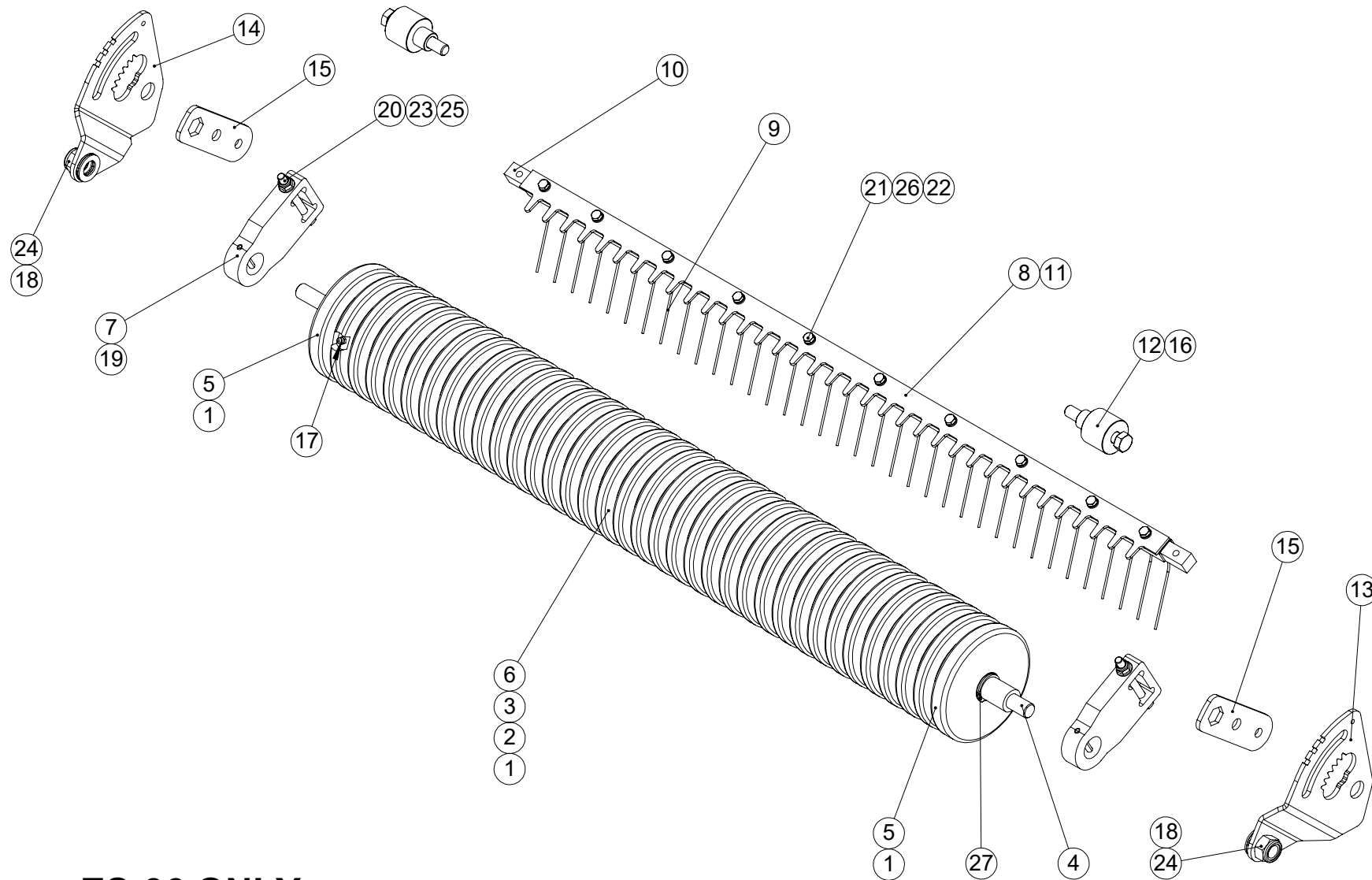
13. FRONT ROLLER



13. FRONT ROLLER

ITEM NO.	PART NUMBER	DESCRIPTION	QTY.	
1	185883_REV1	PREMIER FRONT ROLLER 36"	1	ES-36 ONLY
	185880_REV1	PREMIER FRONT ROLLER 30"	1	ES-30 ONLY
2	229310_REV1	QUADRANT SPACER	2	
3	230741_REV0	QUADRANT GEAR	2	
4	380084_REV0	ROLLER QUADRANT R.H. ASSY	1	
5	380085_REV0	ROLLER QUADRANT L.H. ASSY	1	
6	380087_REV0	PREMIER FRONT SCRAPER 36"	1	ES-36 ONLY
	380387_REV0	PREMIER FRONT SCRAPER 30"	1	ES-30 ONLY
7	380090_REV0	PREMIER TIE BAR ASSY 36"	1	ES-36 ONLY
	380390_REV0	PREMIER TIE BAR ASSY 30"	1	ES-30 ONLY
8	E1-1065_REV0	WASHER M12 SPRING LOCK	2	
9	SP01044_REV0	COACH BOLT M10 X 25	2	
10	SP01059_REV0	HEX SET SCREW M12 X 25	4	
11	SP01078_REV0	HEX SET SCREW M12 X 40	2	
12	SP02008_REV0	NUT M10 NYLOC (T)	2	
13	SP02010_REV0	NUT M12 NYLOC (T)	2	
14	SP02020_REV0	NUT 1/2" UNF NYLOC (T)	2	
15	SP02054_REV0	NUT M12 BINK	2	
16	SP03011_REV0	WASHER M10 FORM A	2	
17	SP03012_REV0	WASHER M12 FORM A	8	
18	SP03019_REV0	WASHER M12 WAVE	2	
19	SP03020_REV0	SHIM 12 X 18 X 1	2	

14. WEILE ROLLER

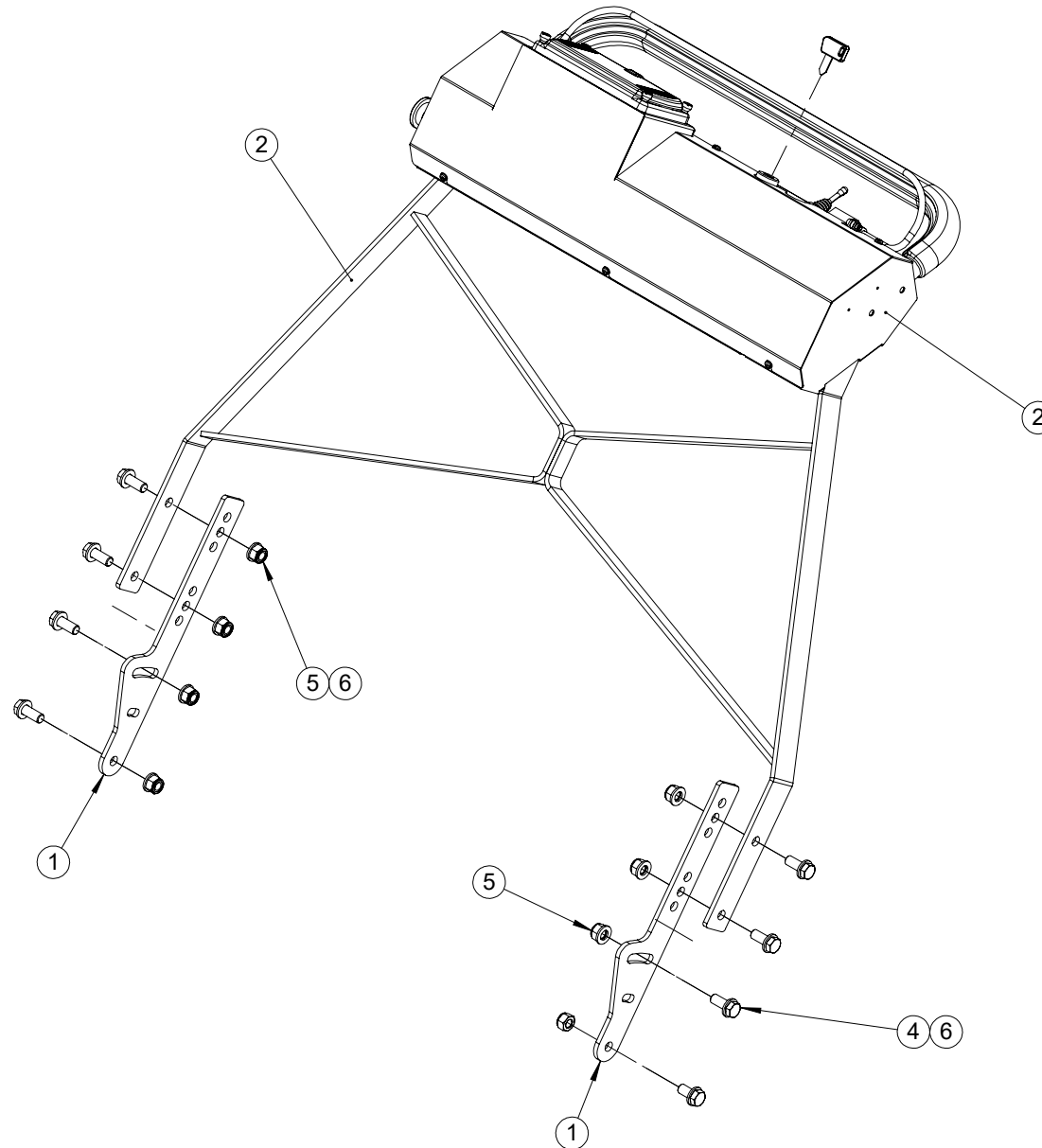


ES-36 ONLY

14. WEILE ROLLER

ITEM NO.	PART NUMBER	DESCRIPTION	QTY.
1	229636_REV0	BUSH AM2530 - 25	18
2	229766_REV1	SHIM 1MM	8
3	229767_REV1	SHIM 0.5MM	8
4	300040_REV1	FRONT ROLLER SHAFT WIELE 36"	1
5	300041_REV1	WIELE ROLLER END (PREM)	2
6	300042_REV1	WIELE ROLLER SECTION (PREM)	7
7	300043_REV2	END PLATE	2
8	300045_REV1	WIELE SCRAPER BAR 36"	1
9	300046_REV1	COMB TINE PREM	18
10	300047_REV1	WIELE COMB BAR 36"	1
11	300048_REV1	COMB BAR CLAMP 36"	1
12	380132_REV0	GRASSBOX ARM PIVOT	2
13	380135_REV0	ROLLER ADJUSTER L.H. PREM	1
14	380136_REV0	ROLLER ADJUSTER R.H. PREM	1
15	380137_REV0	ROLLER ADJ PLATE	2
16	E1-1166_REV0	HEX BOLT M12 X 75	2
17	J20064_REV0	GREASE NIPPLE 1/4" UNF	9
18	J209012_REV0	WASHER M16 FORM B	6
19	J209104_REV0	PIN SPIROL M6 X 50	2
20	SP01024_REV0	HEX SET SCREW M8 X 80	2
21	SP01054_REV0	HEX SET SCREW M6 X 35	10
22	SP02004_REV0	NUT M6 NYLOC	10
23	SP02006_REV0	NUT M8 NYLOC (T)	2
24	SP02028_REV0	NUT M16 NYLOC (T)	2
25	SP03008_REV0	WASHER M8 FORM A	4
26	SP03010_REV0	WASHER M6 FORM A	20
27	SP07007_REV0	CIRCLIP D1460-25	2

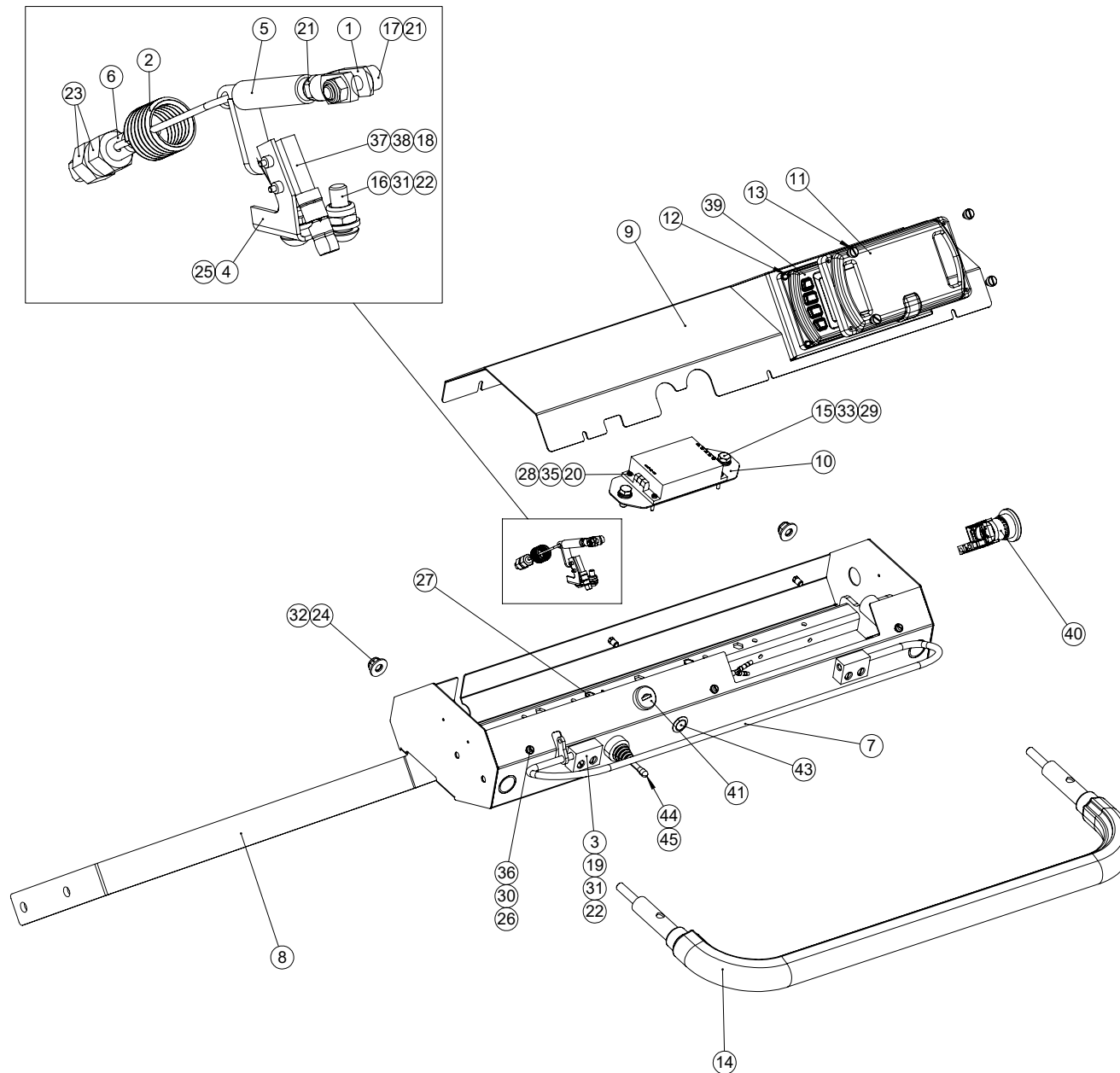
15. HANDLE MOUNTS



15. HANDLE MOUNTS

ITEM NO.	PART NUMBER	DESCRIPTION	QTY.	
1	380114_REV0	HANDLE PLATE	2	
2	800610_REV0	ES-36 HANDLE ASSY	1	ES-36 ONLY
	800613_REV0	ES-30 HANDLE ASSY	1	ES-30 ONLY
3	SP01059_REV0	HEX SET SCREW M12 X 25	1	
4	SP01065_REV0	HEX SET SCREW M12 X 30	7	
5	SP02010_REV0	NUT M12 NYLOC (T)	8	
6	SP03012_REV0	WASHER M12 FORM A	15	
7	SP12102A_REV0	DURITE KEY	1	

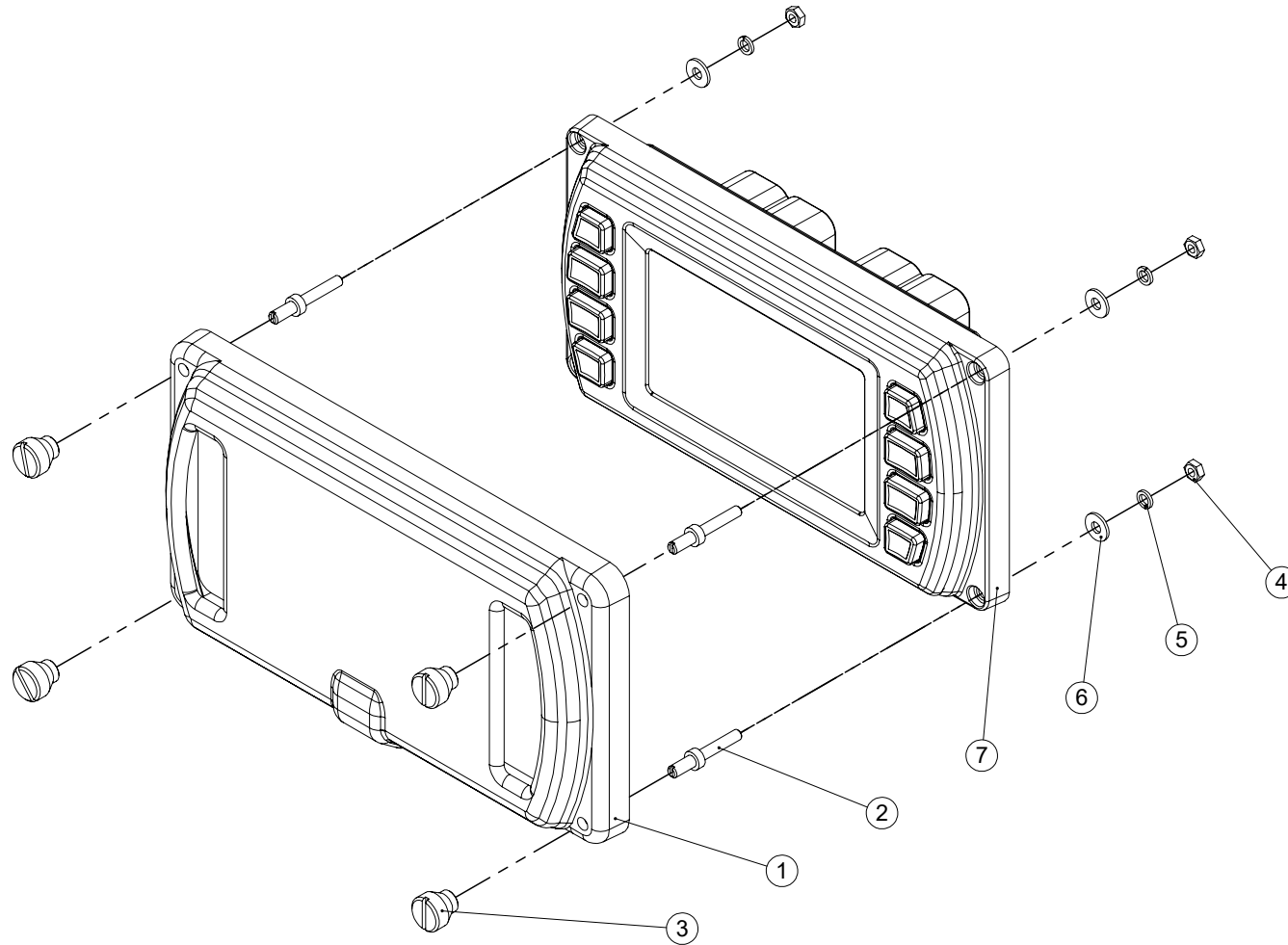
16. HANDLE CONSOLE



16. HANDLE CONSOLE

ITEM NO.	PART NUMBER	DESCRIPTION	QTY.
1	228020_REV1	CLEVIS GM5 (5MM)	1
2	229167_REV1	CLUTCH SPRING	1
3	229585_REV1	PIVOT BLOCK	2
4	229590_REV1	SAFETY SWITCH BRACKET	1
5	229595_REV2	SAFETY LEVER PLUNGER W.A.	1
6	229620_REV2	BOLT FOR SPRING	1
7	230180_REV0	SAFETY BAR W.A.	1
8	380106_REV2	ES-36 HANDLE W.A. ES-36 ONLY	1
	380306_REV0	ES-30 HANDLE W.A. ES-30 ONLY	1
9	380110_REV0	CONSOLE COVER W.A.	1
10	380117_REV0	DC-DC PLATE	1
11	390450_REV0	VAC FORMED SCREEN PROTECTOR	1
12	390451_REV0	SCREEN PROTECTOR STUD	4
13	390452_REV0	SCREEN PROTECTOR NUT	4
14	403596_REV0	HANDLE BAR ASSY	1
15	SP01009_REV0	HEX SET SCREW M8 X 20	2
16	SP01019_REV0	BUTTON HEAD M6 X 16	2
17	SP01043_REV0	CAP HEAD M5 X 16	1
18	SP01070_REV0	CAP HEAD M2 X 12	2
19	SP01101_REV0	SCREW M6 X 25 SLOTTED	4
20	SP01178_REV0	M3.5 x 20 CHEESE HEAD	4
21	SP02002_REV0	NUT M5 NYLOC (T)	2
22	SP02004_REV0	NUT M6 NYLOC	6
23	SP02005_REV0	NUT M8 STD	2
24	SP02008_REV0	NUT M10 NYLOC (T)	2
25	SP02038_REV0	NUT M2 (BUSH)	2
26	SP02041_REV0	RIVNUT HEX M5 (0.5-3.0) [NO HEAD]	6
27	SP02044_REV0	RIVNUT HEX M8 (0.5-3.0) [NO HEAD]	2
28	SP02073_REV0	M3.5 NUT STD	8
29	SP03008_REV0	WASHER M8 FORM A	2
30	SP03009_REV0	WASHER M5 FORM A	6
31	SP03010_REV0	WASHER M6 FORM A	6
32	SP03016_REV0	WASHER M10 FORM C	2
33	SP03029_REV0	WASHER M8 SPRING LOCK	2
34	SP03046_REV0	M3.5 SPRING WASHER	4
35	SP03047_REV0	WASHER M3.5 FORM A	8
36	SP04001_REV0	SCREW M5 X 16 SLOTTED	6
37	SP12007_REV0	MICRO SWITCH DC1C-C3LB	1
38	SP12014_REV0	ELECTRICAL CONNECTOR MALE BULLET (RED)	2
39	SP12099_REV0	DISPLAY PV450	1
40	SP12101_REV0	E-STOP	1
41	SP12102_REV1	KEY SWITCH (ON/OFF - 2 POS)	1
42	SP12127_REV2	HYP HANDLE CONTROLLER HARNESS (F42216)	1
43	SP12132_REV1	MOMENTARY PUSH SWITCH	1
44	SP12182_REV0	2 AXIS LATCHING JOYSTICK	1
45	SP12183_REV0	E-SERIES HAND CONTROLS WIRING HARNESS	1

17. SCREEN PROTECTOR

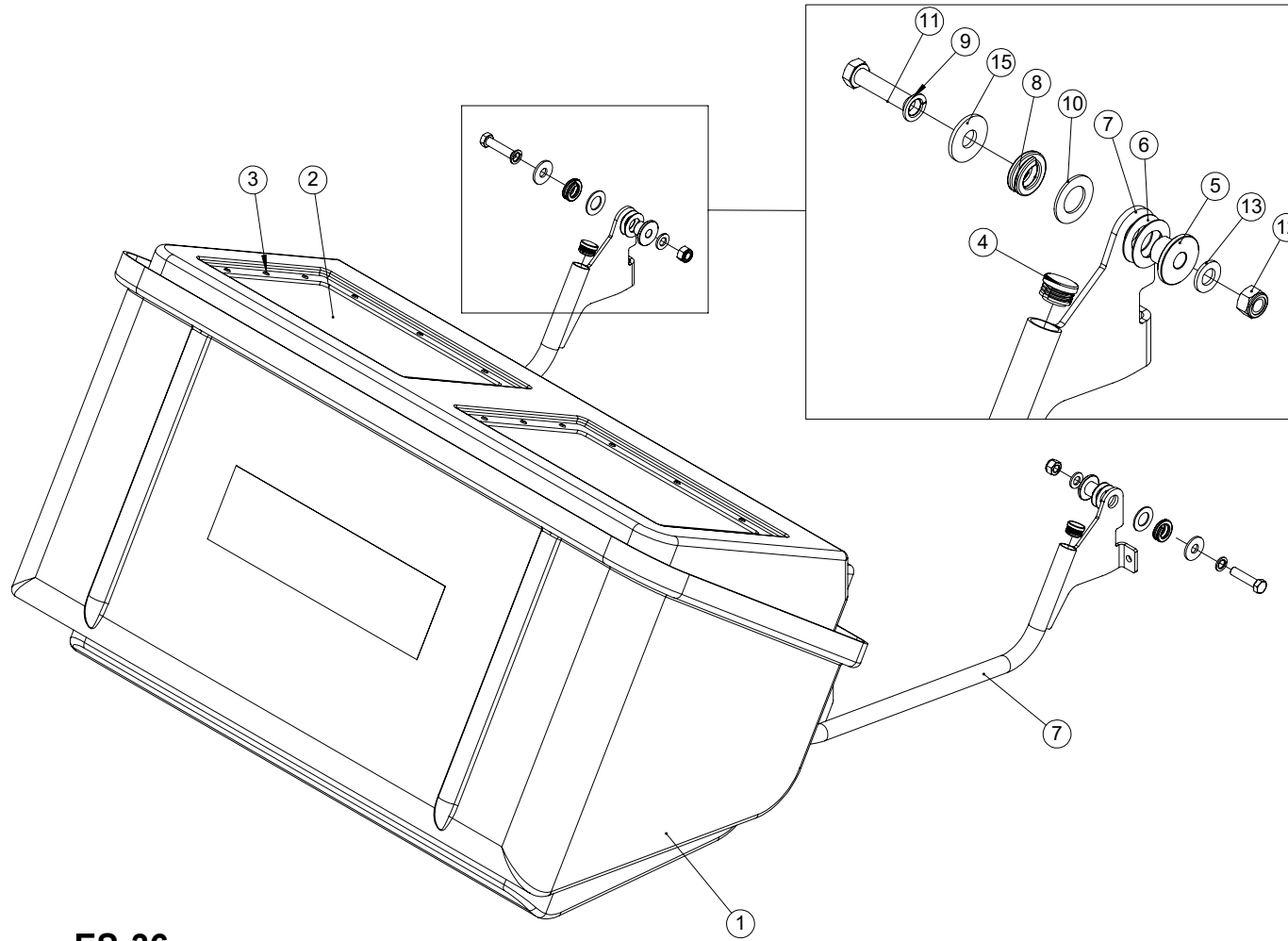


17. SCREEN PROTECTOR

ITEM NO.	PART NUMBER	DESCRIPTION	QTY.
1	390450_REV0	VAC FORMED SCREEN PROTECTOR	1
2	390451_REV0	SCREEN PROTECTOR STUD	4
3	390452_REV0	SCREEN PROTECTOR NUT	4
4	SP02073_REV0	M3.5 NUT STD	4
5	SP03046_REV0	M3.5 SPRING WASHER	4
6	SP03047_REV0	WASHER M3.5 FORM A	4
7	SP12099_REV0	DISPLAY PV450	1

18. GRASS BOX CRADLE

ES-30 / ES-36
PARTS CATALOGUE

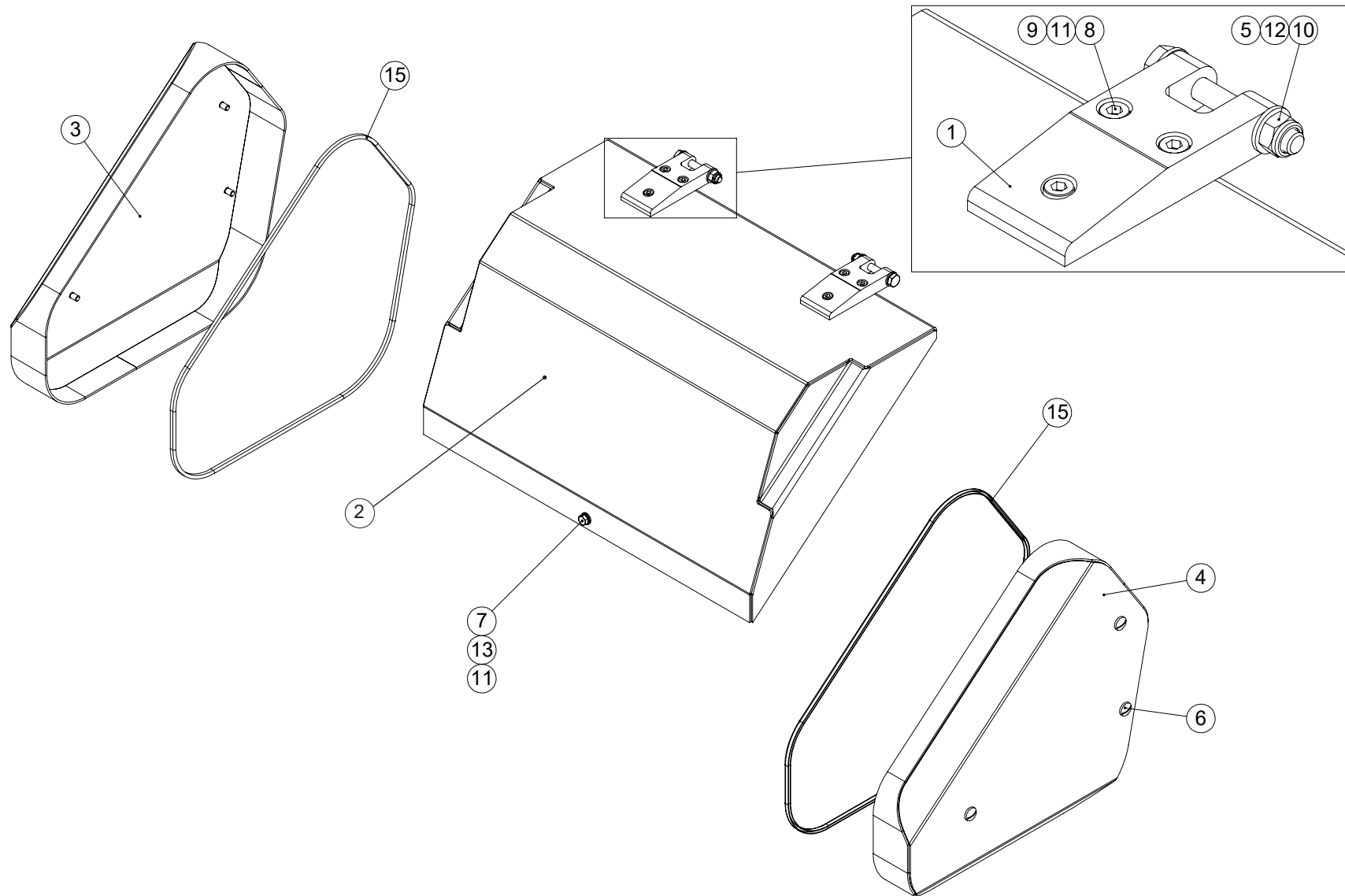


ES-36

18. GRASS BOX CRADLE

ITEM NO.	PART NUMBER	DESCRIPTION	QTY.	
1	380130_REV2	36" GRASSBOX	1	<i>ES-36 ONLY</i>
	380330_REV0	30" GRASSBOX	1	<i>ES-30 ONLY</i>
2	380131_REV0	36" GRASSBOX MESH	1	
3	SP05018_REV0	RIVET 4.8 X 18	24	
4	228024_REV1	1" TUBE BUNG	2	
5	370180_REV0	GRASSBOX ARM PIVOT	2	
6	370181_REV0	1MM ID21 SHIM	4	
7	380120_REV0	36" CRADLE W.A.	1	<i>ES-36 ONLY</i>
	380340_REV0	30" CRADLE W.A.	1	<i>ES-30 ONLY</i>
8	604761_REV1	THACKERY WASHER	2	
9	E1-1065_REV0	WASHER M12 SPRING LOCK	2	
10	E1-1081_REV0	WASHER M20 FORM B	2	
11	SP01082_REV0	HEX SET SCREW M12 X 50	2	
12	SP02010_REV0	NUT M12 NYLOC (T)	2	
13	SP03012_REV0	WASHER M12 FORM A	2	
14	SP03032_REV0	WASHER M5 REPAIR	24	
15	SP03048_REV0	WASHER M12 FORM G	2	

19. GUARDS

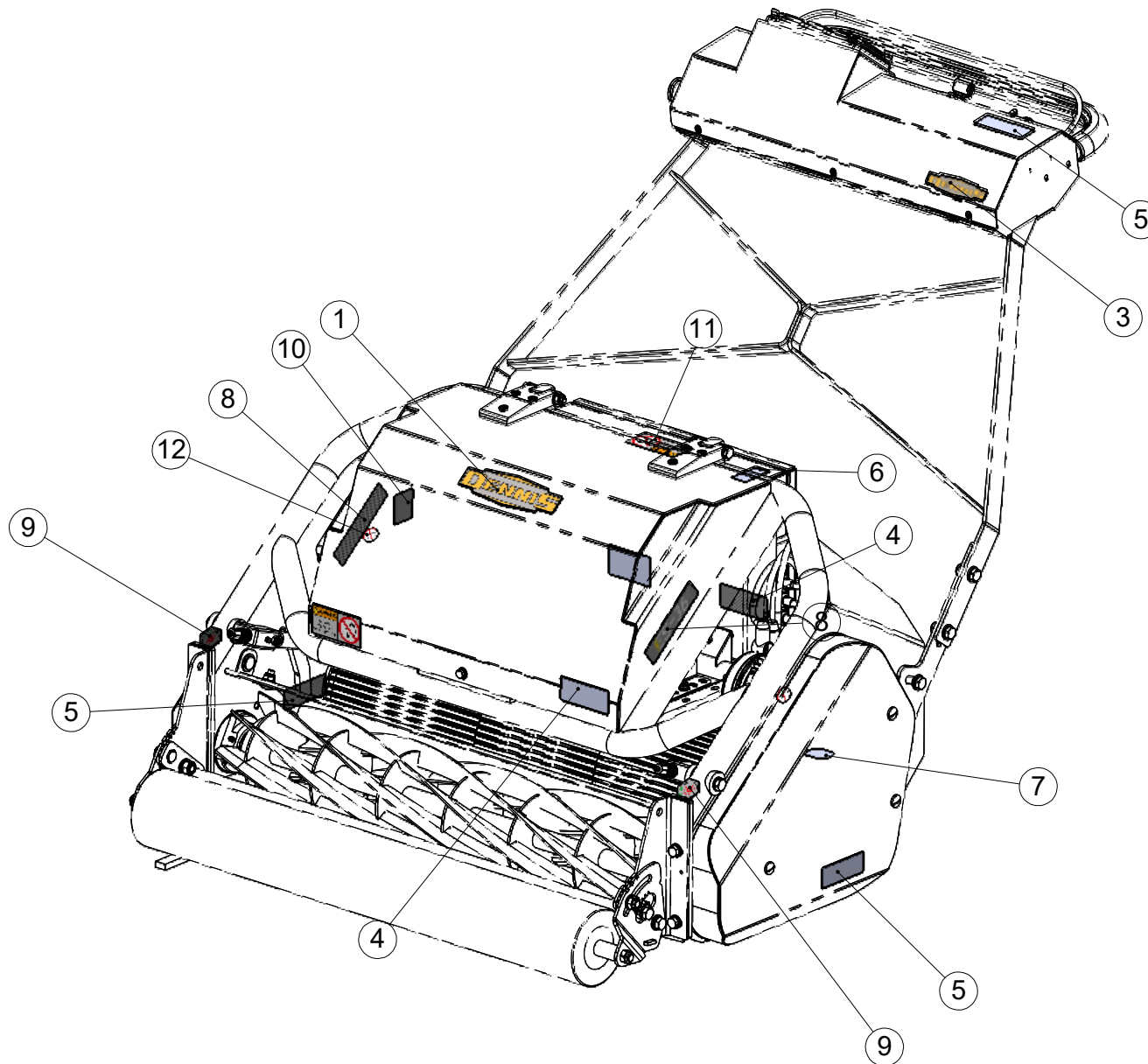


19. GUARDS

ITEM NO.	PART NUMBER	DESCRIPTION	QTY.
1	340155_REV0	BATTERY COVER HINGE	2
2	380150_REV2	BATTERY COVER 36" PREM W.A.	1
	340150_REV1	BATTERY COVER W.A. (860)	1
3	380160_REV0	GUARD R.H. PREM	1
4	380161_REV0	GUARD L.H. PREM	1
5	SP01119_REV0	HEX BOLT M10 X 75 (8.8 HT)	2
6	J209074_REV1	BRAKE BAND COVER SCREW	6
7	SP01009_REV0	HEX SET SCREW M8 X 20	1
8	F20384_REV1	CAP HEAD M8 X 25	6
9	SP02006_REV0	NUT M8 NYLOC (T)	6
10	SP02008_REV0	NUT M10 NYLOC (T)	2
11	SP03008_REV0	WASHER M8 FORM A	7
12	SP03011_REV0	WASHER M10 FORM A	4
13	SP03029_REV0	WASHER M8 SPRING LOCK	1
14	SP18026_REV0	E-SERIES DECAL SET	1
15	228031-1455_REV0	CHAIN CASE SEAL - 145.5cm	2
16	SP18026-4_REV0	BATTERY DISCONNECT DECAL	1

ES-36 ONLY

ES-30 ONLY



20. DECALS

ITEM NO.	PART NUMBER	DESCRIPTION	QTY.
1	B32902_REV2	DECAL DENNIS 200 X 50 (LARGE)	1
2	B32903_REV0	DECAL UNION JACK	1
3	J20362_REV2	DECAL DENNIS 120 X 30 (SMALL)	1
4	SP18026-2_REV0	WARNING DECAL	2
5	SP18026-3_REV0	E-SERIES DECAL	3
6	SP18026-6_REV0	BATTERY DECAL	1
7	SP18026-7_REV0	PARKING BRAKE DECAL	1
8	SP18029_REV0	ES-36 DECAL	2
9	SP18034_REV0	ES-36 CUT ADJUSTMENT DECAL	2
10	SP18036_REV0	LWA 85 dB DECAL	1
11	SP18051_REV0	DO NOT PRESSURE WASH - LARGE DECAL	2
12	SP18052_REV0	DO NOT PRESSURE WASH - SMALL MOTOR DECAL	2

E-SERIES®

BY **DENNIS**



Email
sales@howardsongroup.com

UK & International
Tel: +44 (0) 1332 824777

Head Office
Ashbourne Road, Kirk Langley,
Derby DE6 4NJ, UK

Due to a policy of continual development Howardson Group Ltd reserves the right to change specification without prior notification.
All goods sold subject to the company's terms and conditions of sale, copies available on request.

E&EO

