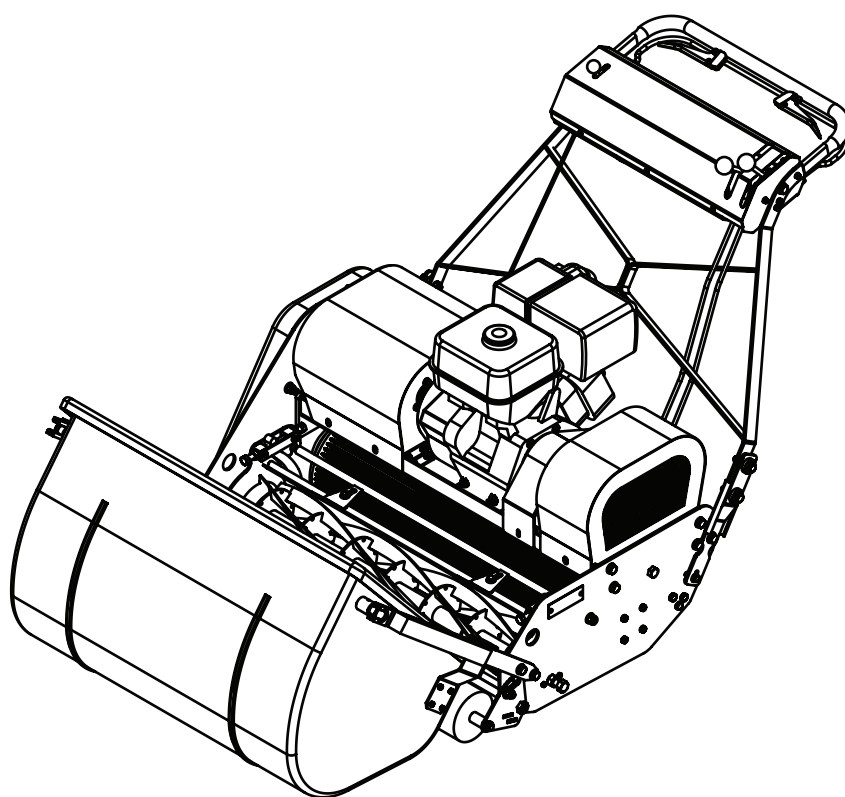


# DENNIS

## PREMIER RANGE



## INSTRUCTION MANUAL

DENNIS, Ashbourne Road, Kirk Langley, Derby, DE6 4NJ, United Kingdom

Telephone:- 01332 824 777

Fax:- 01332 824 525

E-mail:- sales@dennisuk.com

E-mail:- spares@dennisuk.com

[www.dennisuk.com](http://www.dennisuk.com)

SP20005\_REV\_4  
11/15

# Product Application Matrix

Application	FT	Razor Range	Razor 560	Simplex Ultra 560	G560 Range	SuperSix: G680	G660/G760 Range	Premier G860	Contractor Range	Bray Hand	S500 Tools	Gang Plus	Mower
Bowling Green		✓	✓	✓			✓			✓	✓	✓	
Cricket Ground Maintenance: square	wicket	✓	✓	✓						✓	✓	✓	
Cricket Ground Maintenance: outfield	✓				✓	✓	✓	✓					
Football Pitch							✓	✓				✓	✓
Golf Course Maintenance: Tees		✓			✓	✓	✓	✓		✓	✓		
Golf Course Maintenance: Greens	✓	✓	✓						✓	✓	✓		
Ornamental	✓			✓	✓	✓	✓						
Croquet Green		✓	✓	✓	✓		✓	✓		✓		✓	
Grass Tennis Court		✓	✓	✓			✓			✓	✓	✓	
Race Course Maintenance: Ornamental	Parade Ring	✓			✓	✓	✓	✓	✓	✓			✓
Rugby Pitch							✓	✓				✓	
Hockey Pitch							✓	✓					
Sports Club Maintenance		✓	✓	✓	✓	✓	✓	✓	✓	✓	✓	✓	✓
Schools, Colleges & University Grounds		✓	✓	✓	✓	✓	✓	✓	✓	✓	✓	✓	✓
Cemetery Maintenance				✓	✓	✓	✓						
Contractors, Private Lawns & Commercial	✓				✓	✓	✓	✓		✓			✓
Local Authority & Government Contracts	✓	✓	✓	✓	✓	✓	✓	✓	✓	✓	✓	✓	✓
Ornamental Lawn	✓	✓			✓	✓	✓	✓	✓	✓	✓		✓



**NOTE**

THIS INFORMATION IS INTENDED FOR GUIDANCE PURPOSES ONLY. WE RECOMMEND THAT YOU DISCUSS YOUR SPECIFIC REQUIREMENT WITH OUR HEAD OFFICE, SALES MANAGERS OR YOUR LOCAL DENNIS DEALER.

# Certificate of Conformity

**Cylinder mowers powered by Honda GX Petrol Engine and Kubota Diesel Engine**

**Manufacturer:-** Howardson Ltd, Howardson Works, Kirk Langley, Derby, DE6 4NJ. UK

**Owner of Technical Document:-** Mr I.D. Howard, Howardson Ltd, Howardson Works Kirk Langley, Derby, DE6 4NJ, UK

**Notified Body:-** AV Technology Ltd, AVTECH house, Arkle Avenue, Stanley Green Trading Estate, Handforth, Cheshire, SK9 3RW, UK

I the under signed Declare that these machines:-

Model	Cutting Width	Power	Measured Sound Power Level	Guaranteed Sound Power Level	Serial Number
Premier 30"	30" (762mm)	GX340 (Honda)	99dB Lwa	100dB Lwa	See Product ID
Premier 30"	30" (762mm)	OC 60 (Kubota)	99dB Lwa	100dB Lwa	See Product ID
Premier 36"	36" (914.4mm)	GX340 (Honda)	99dB Lwa	100dB Lwa	See Product ID
Premier 36"	36" (914.4mm)	OC 60 (Kubota)	99dB Lwa	100dB Lwa	See Product ID

**Tested at:-** Howardson Works test site September 2011

Complies with the applicable requirements of:-

- Machine Directive 2006/42/EC
- Noise Directive 2000/14/EC (Annex VI Procedure 1)

**Managing Director**



**Ian Howard**

## Serial Numbers



**NOTE**

*MAKE A NOTE OF THE SERIAL NUMBERS OF YOUR MACHINE & ENGINE AND ALWAYS QUOTE THEM IN ANY COMMUNICATION WITH PERSONNEL AT DENNIS.*

**MACHINE SERIAL NUMBER**

**ENGINE SERIAL NUMBER**

## Introduction

The reliability and quality of performance of this machine depends upon some simple care maintenance carried out regularly. This manual has been prepared to allow the user to carry out all such work.

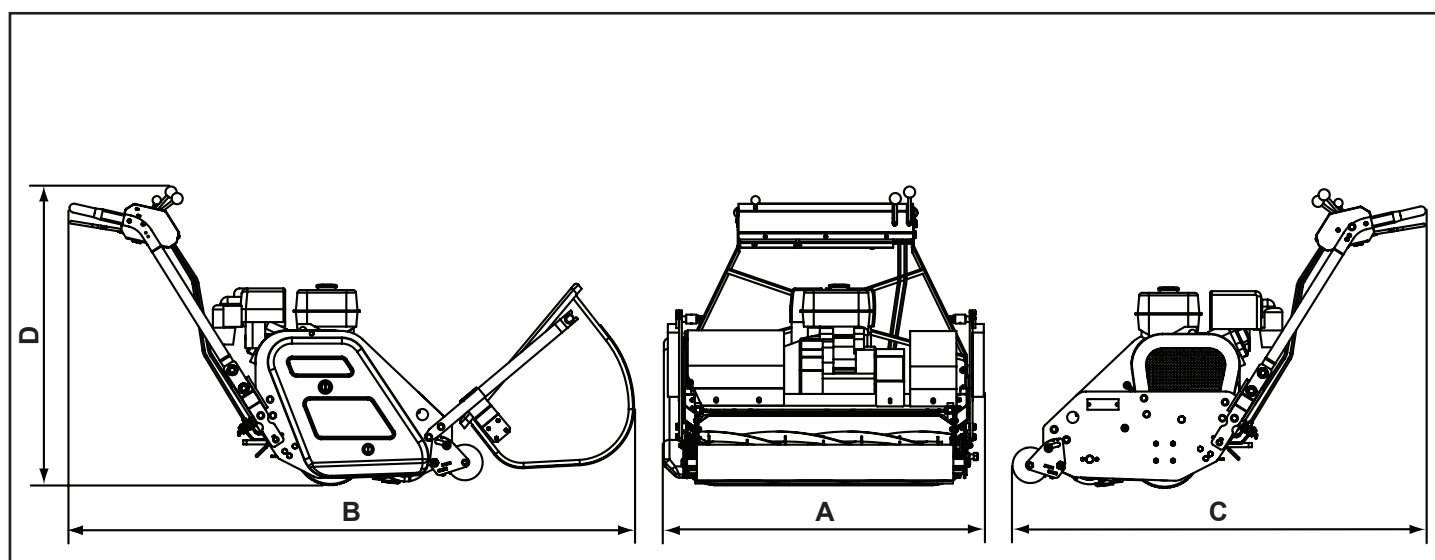
It is advisable to read the instructions carefully. Proper care and attention will enable the machine to give a continuous, satisfactory, and reliable service. Failure to carry out regular lubrication and maintenance as outlined in this manual may render any guarantee or warranty invalid.

In the case of any difficulty, or if further information or advice is required, our Service Department is always at your call. In the interests of speed and accuracy of information please quote the serial numbers of the machine and engine when making enquiries.

For the mower, this is to be found on a plate attached to the engine deck. The engine number is stamped on either the crank case or the gear casing facing towards the front of the machine. We suggest you write the numbers on the front page of this book.

	Page
Product Application Matrix.....	2
Declaration of Conformity.....	3
Serial Numbers.....	3
Introduction.....	3
Technical Data.....	4
Machine Description.....	5
Important Safety Instructions.....	6
Controls.....	7
Operating Instructions.....	8 - 9
General Adjustments.....	10 - 11
Routine Maintenance.....	12 - 13
Storage.....	13
Parts Listings.....	14 - 29

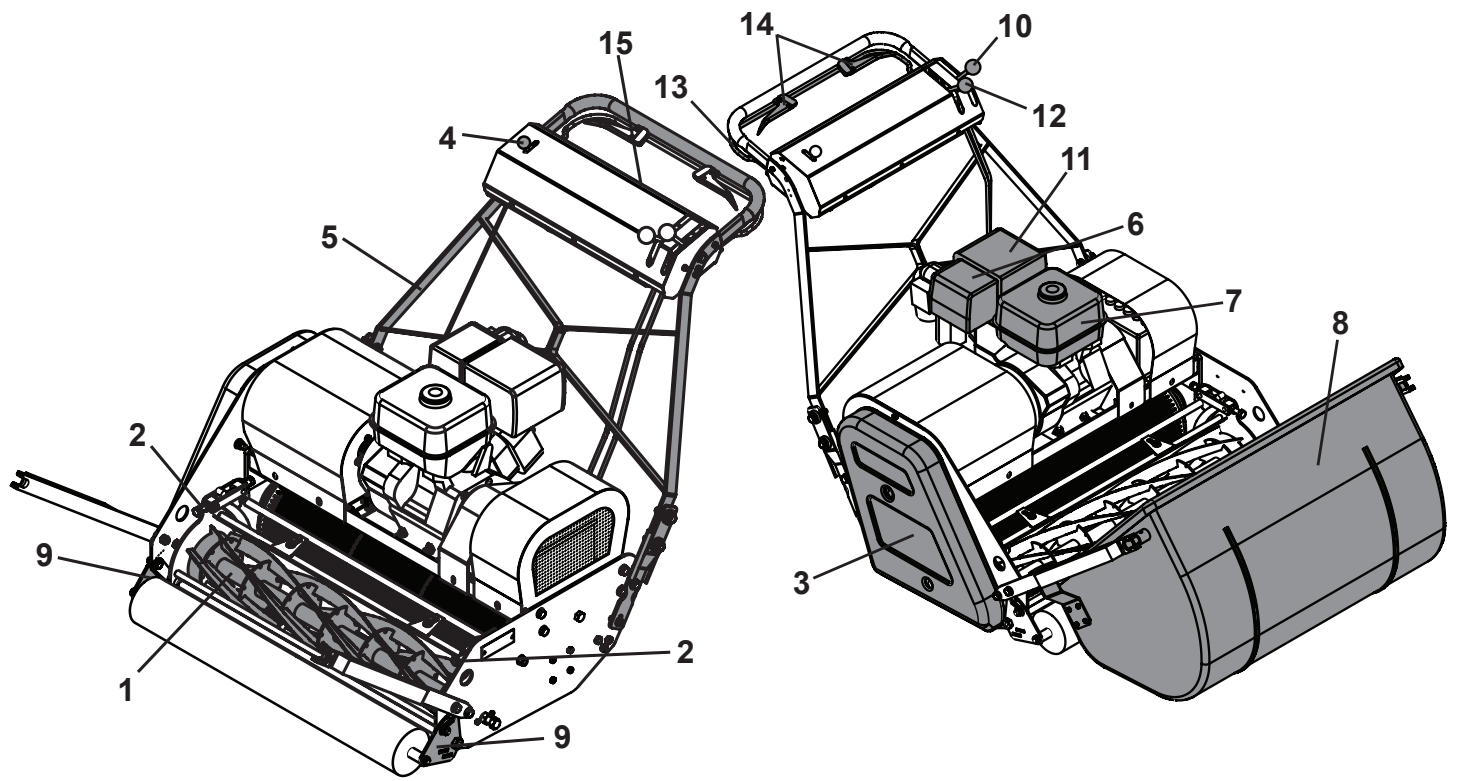
## Technical Data



Model	Premier 30''	Premier 36''
A - Width (mm)	988	1140
B - Length with Grassbox (mm)	2130	2130
C - Length without Grassbox (mm)	1470	1470
D - Height (mm)	990	990
Weight (Kg)	327	343
Cutting Width (mm)	760	910
Cylinder	6 or 8 Blade	6 or 8 Blade
Height of Cut (mm)	6 - 52mm	6 - 52mm
Cut Performance (6 Blade)	100 cuts/m (90 cuts/yd)	100 cuts/m (90 cuts/yd)
Cut Performance (8 Blade)	133 cuts/m (120 cuts/yd)	133 cuts/m (120 cuts/yd)
Engine	GX340 (Honda Petrol) or OC 60 (Kubota Diesel)	GX340 (Honda Petrol) or OC 60 (Kubota Diesel)
Drive System	Gearbox	Gearbox
Final Drive	Chain & Sprocket	Chain & Sprocket
Hand Arm Vibration (m/sec <sup>2</sup> )	Honda - 2.5 Kubota - 4.1	Honda - 2.5 Kubota - 4.1
Measured Sound Power Level dB(A) LWA	99	99
Guaranteed Sound Power Level dB(A) LWA	100	100

## Machine Description

Manufactured with a 30" (76.2cm) and 36" (91.4cm) cutting width this mower is powered by a 11 h.p. four stroke, petrol engine or a 6 h.p. diesel engine. The rear roller and cylinder are powered via two automotive friction clutches. This allows for independant control of motion and cutter.



- |                               |                              |
|-------------------------------|------------------------------|
| 1. Cylinder                   | 9. Cutting Height Adjustment |
| 2. Bottom Blade Adjuster Knob | 10. Roller Engagement        |
| 3. Belt Guard                 | 11. Air Filter               |
| 4. Throttle Lever             | 12. Cutter Engagement        |
| 5. Handle Bar                 | 13. Deadmans Handle          |
| 6. Exhaust                    | 14. Brake Steer              |
| 7. Fuel Tank                  | 15. Key Start Switch         |
| 8. Grassbox                   |                              |

# Important Safety Instructions

In order to operate the machine safely please follow these Health and Safety guidelines.

## TRAINING



### **CAUTION**

*READ THE INSTRUCTIONS CONTAINED IN THIS MANUAL WITH CARE. IF YOU ARE IN ANY DOUBT PLEASE ASK YOUR EMPLOYER OR CONTACT US DIRECT AT **DENNIS**.*

- Be familiar with the controls and the proper use of the equipment.
- Never allow children or people unfamiliar with these instructions to use the mower. Local regulations or insurance may restrict the age of the operator.
- Never mow while people, especially children, or pets are nearby.
- Keep in mind that the operator or user is responsible for accidents or hazards occurring to other people or their property.

## PREPARATION

- While mowing always wear substantial footwear and long trousers. Do not operate the mower barefoot or in open sandals.
- Thoroughly inspect where the equipment is to be used and remove all stones, sticks, wire, bones and other foreign objects.



### **WARNING**

*PETROL AND DIESEL IS HIGHLY FLAMMABLE AND WILL DAMAGE GRASS IF SPILT.*

- A) Store fuel in containers specifically designed for this purpose.
  - B) Refuel out doors and do not refuel whilst smoking.
  - C) Add fuel before starting the engine. Never remove the cap of the fuel tank or add fuel while the engine is running or when the engine is hot.
  - D) If fuel is spilled do not attempt to start the engine but move the machine away from the area of spill and avoid creating any sources of ignition until the vapours have dissipated.
- Replace damaged or faulty silencers.
  - Before using the machine always inspect the safety devices including the cut off switch and the blades for excessive wear or damage. Replace if necessary.

## OPERATION

- Do not operate the engine in a confined space where dangerous **CARBON MONOXIDE** fumes can collect.
- Mow only in daylight or good artificial light.
- Avoid operating the machine in wet grass where feasible.
- Always be sure of your footing on slopes.
- Walk. Never run.
- Walk across the face of slopes, never up and down.
- Exercise extreme care on slopes when changing direction.
- Do not mow excessively steep slopes.
- Use extreme caution when reversing or pulling the machine towards you.
- Stop the blades if the mower has to be tilted for transportation when crossing surfaces other than grass and when transporting the mower to and from the area to be mown.
- Never operate the mower with defective guards or shields or without the safety devices, for example without the deflector plate or grassbox in place.
- Do not change the engine governor settings or overspeed the engine.
- Disengage all blades and drive clutches before starting.
- Start the engine carefully following the instructions with feet well away from the blades.
- Do not tilt the mower when starting the engine.
- Do not put hands or feet near or under rotating parts. Keep clear of the discharge opening at all times.
- Never pick up or carry the mower while the engine is running.

FOR THE LOCATION OF CONTROLS AND COMPONENTS REF. "MACHINE DESCRIPTION" PAGE 5.

## **ON / OFF SWITCH (Item 17)**

This key switch starts the engine and can be used to stop the engine at anytime during the operation of the machine.

## **DEADMANS CONTROL (Item 13)**

This is an operator presence control. It must be raised before the cylinder or roller can be engaged and held in until the cylinder or roller is disengaged. Releasing the lever with the cylinder or roller engaged will cause the engine to stop.

## **BRAKE STEER CONTROLS (Item 14)**

To help steer the machine, the rear roller is equipped with independent left and right hand brakes. These are controlled by the left and right hand levers on the handle bars. Operating the left lever the cause the machine to turn left and similarly the right lever cause the machine to turn right.

## **THROTTLE CONTROL (Item 4)**

This controls the RPM of the engine and the resultant speed of the machine. Pushing the lever down will increase the RPM, pulling it back returns the engine to idle.

## **REAR ROLLER CONTROL (Item 10)**

This controls the machines movement. Pushing the lever forwards will engage the friction clutch and cause the machine to drive. Returning it to the original position will cause the machine to stop.

## **CYLINDER CONTROL (Item 15)**

This controls the cylinder drive. Pushing the lever forwards will engage the friction clutch and cause the cylinder to rotate. Before the cylinder can be engaged the "Deadmans" lever must be held in. Failing to do this will cause the engine to stop. Returning it to the original position will cause the cylinder to stop.



## **CAUTION**

*BEFORE YOU OPERATE THIS MACHINE YOU MUST READ AND STUDY THIS MANUAL. IF YOU ARE IN ANY DOUBT PLEASE ASK YOUR EMPLOYER OR CONTACT US DIRECT.*

FOR THE LOCATION OF CONTROLS AND COMPONENTS REF. "MACHINE DESCRIPTION" PAGE 5.

## **PREPARATION FOR USE**

- Ensure the turf is free from stones or other obstructions which may damage the cutting cylinder.
- Check the machine (inc. engine) is serviceable, has all guards in place and has no visible damage.
- Check the engine oil level. (Full details are given in the ENGINE Manual supplied)
- Fill the fuel tank 3/4 full with fuel.
- Set the height of cut to the required level. (See Page 10)
- Ensure the Cylinder drive is disengaged.



## **CAUTION**

*IMPORTANT INFORMATION PLEASE READ ALL THE DETAILS IN THIS SECTION AND FAMILIARIZE YOURSELF AND ALL MACHINE OPERATORS WITH THE CONTENTS.*

## **STARTING THE ENGINE (PETROL)**

### **Electric Start**

- Switch on the fuel tap.
- Set the throttle control to a half open.
- Shift the choke lever to the "**Closed**" position. (Note: The choke is not required if the engine is warm or the air temperature high.)
- Turn the key clockwise
- Once the engine is started, gradually "**Open**" the choke lever. (Warm-up running of 3-5 minutes is recommended.)
- Set the throttle control back to the idle position.

### **Recoil Start**

- Switch on the fuel tap.
- Switch on the key.
- Set the throttle control to a half open.
- Shift the choke lever to the "**Closed**" position. (Note: The choke is not required if the engine is warm or the air temperature high.)
- Grasp the recoil start handle until resistance is felt, then pull it with force.
- Do not allow the starter grip to snap back against the engine. Return it gently to prevent damage to the starter.
- Once the engine is started, gradually "**Open**" the choke lever. (Warm-up running of 3-5 minutes is recommended.)
- Set the throttle control back to the idle position.

## **STOPPING THE ENGINE (PETROL)**

- Set the throttle control to the idle position.
- Switch the handlebar cut off to OFF
- Close the fuel tap.

## **STARTING THE ENGINE (DIESEL)**

- Switch on the fuel tap.
- Set the throttle control to a half open.
- Set the decompression lever to the "**Open**" position. (Note: The decompression is not required if the engine is warm or the air temperature high.)
- Turn the key clockwise
- Set the throttle control back to the idle position.

## **STOPPING THE ENGINE**

- Set the throttle control to the idle position.
- Switch the handlebar cut off to OFF
- Close the fuel tap.



## TO COMMENCE DRIVING (TRANSPORT BETWEEN SITES / NO CUTTING)

- Raise the “**Deadmans**” lever (item 13)
- Push the “**Drive Control**” lever (item 10) forwards.
- Set the “**Throttle control**” to increase / reduce speed.

## STOP DRIVING

- Pull the “**Drive Control**” lever (item 10) backwards.



### **NOTE**

*RELEASING THE “**DEADMANS**” LEVER WITH THE ROLLER OR CUTTER ENGAGED WILL CAUSE THE ENGINE TO STOP.*

## TO COMMENCE CUTTING

- Raise the “**Deadmans**” lever (Item 13)
- Push the “**Cylinder Control**” lever (Item 12) forwards
- Push the “**Drive Control**” lever (Item 10) forwards
- Set the “**Throttle control**” to increase / reduce speed.

## TO STOP CUTTING

- Pull the “**Drive Control**” lever (Item 10) backwards.
- Pull the “**Cylinder Control**” lever (Item 10) backwards.
- Release “**Deadmans**” lever.

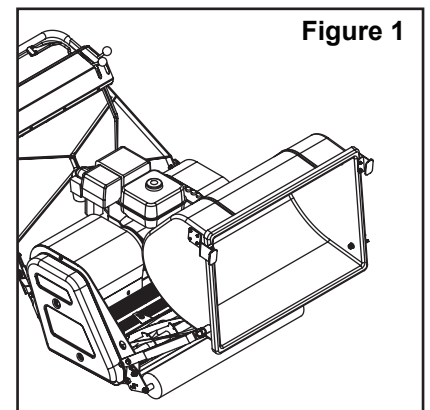


### **NOTE**

*RELEASING THE “**DEADMANS**” LEVER WITH THE ROLLER OR CUTTER ENGAGED WILL CAUSE THE ENGINE TO STOP.*

## FITTING GRASSBOX

- Disengage the cylinder and roller drive and wait for the cutter to stop rotating.
- Hold the grass box firmly on the lower lip of the aperture.
- Lift the box pivoting about the highest edge and depositing the content in front of the mower. (see Figure 1)
- Return to original position.

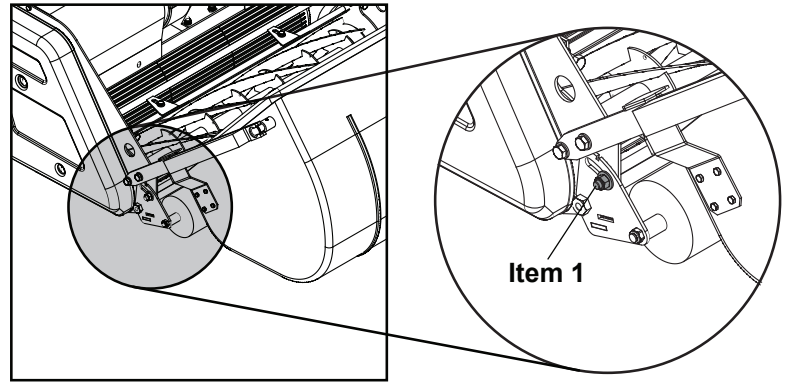


## SETTING FOR HEIGHT OF CUT

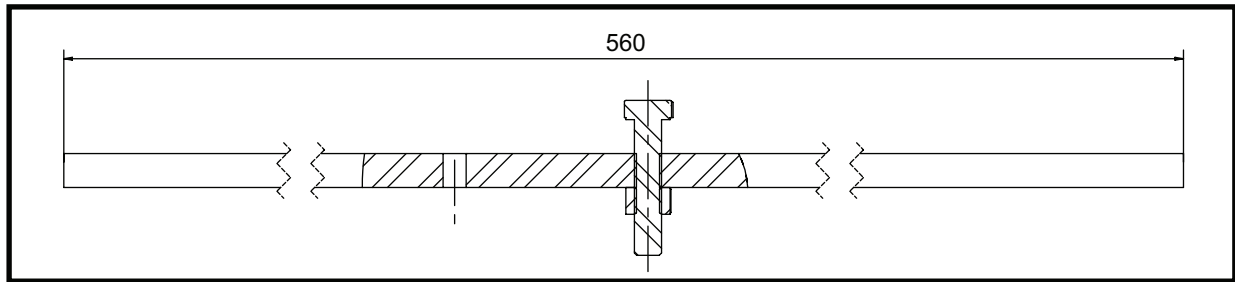
Always stop the engine before adjusting the height of cut. Failure to do this may result in serious injury. The length of grass after cutting and the depth of scarification / dethatching / brushing, depends on the setting of the front roller in relation to the main frame of the machine.

### To set:

- Slacken the clamp nuts on the front roller quadrants (Item 1) [19mm spammer].
- Rotate the quadrants, raising and lowering the machine. As a guide, there are notches in the quadrant and holes in the side plate. Align these on both sides to level the machine.



To check the height of cut and that the machine is level a setting bar (229524) can be used. Place the bar between the front and rear rollers, resting the underside of the bolt head on the lip of the shear blade.



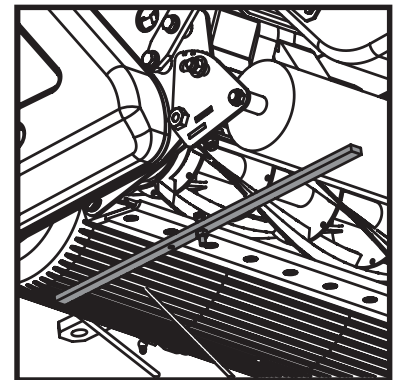
As an indication coins measure the following:-

- |                       |                       |                         |
|-----------------------|-----------------------|-------------------------|
| - 1p 1.58mm (0.063")  | - 2p 1.80mm (0.071")  | - 5p 1.73mm (0.067")    |
| - 10p 1.84mm (0.072") | - 50p 1.84mm (0.072") | - £1.00 3.14mm (0.124") |

Remember height of cut is effected by moisture of turf , weight of machine and the thatch density. Different makes of machine cut at different heights when set to the same position with the setting bar. We suggest you set it to a couple of mm above your planned height and then come down in height by trial.

If on setting the height of operation you find it needs altering once on the green simply click the adjusters up or down the same on each side until the desired height of operation is achieved.

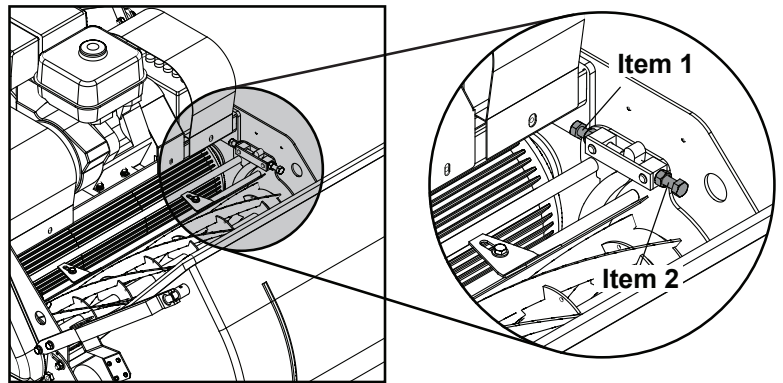
Always check height of cut/operation with the setting bar provided. Check in two positions i.e. one at either end of the cassette. Failure to do this could result in an uneven cut.



## SETTING THE CYLINDER

### To set:

- Slacken 2-off lock nuts and bolts (Item 1) [19mm spanner]
- Rotate bolt (Item 2) clockwise to bring the blade towards the cylinder.
- Check the setting using thin paper along the length of the cylinder.
- Adjust until it cuts along the whole length.
- When set, tighten the lock nut.
- Recheck adjustment.
- Do not set the cylinder hard to the bottom blade. This will cause excessive wear of both components and increase fuel consumption.
- Recheck Adjustment.



### **NOTE**

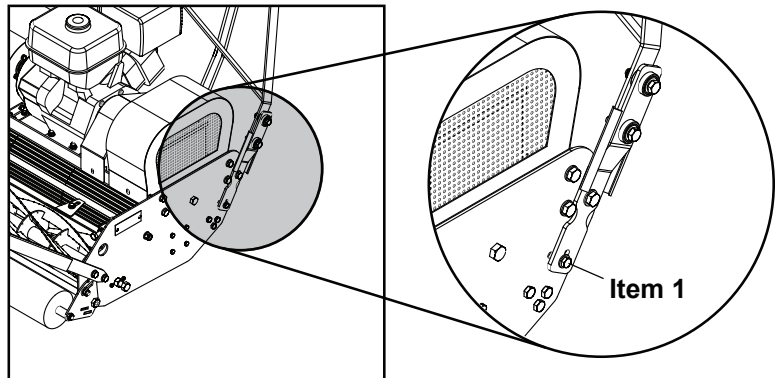
***DO NOT SET THE CYLINDER HARD TO THE BOTTOM BLADE. THIS WILL CAUSE EXCESSIVE WEAR OF BOTH COMPONENTS AND INCREASE FUEL CONSUMPTION.***

## HANDLE BAR ADJUSTMENT

The “**Handle bars**” are adjustable to achieve the correct working height for the operator.

### To set:

- Remove bolt (Item 1) [9/16” spanner]
- Rotate handle into required position.
- Replace bolt (Item 1) [9/16” spanner]



## ENGINE

### **Honda GX340 Petrol Engine.**

For full specifications please refer to the manufacturers instruction manual included.

Area	Maintenance	First 4 Hours	First Month / 20 Hours	3 Months / 50 Hours	6 Months / 100 Hours
Engine Oil	Check Level	✓			
Engine Oil	Change		✓		✓
Air Filter	Check Condition / Clean		✓		✓
Spark Plug	Change				✓

### **Kubota OC60 Diesel Engine.**

For full specifications please refer to the manufacturers instruction manual included.

No.	Item		Daily	Initial 25Hr	Every 100Hr	Every 500Hr	Every 800Hr	Every 1500Hr	Every Year	Every 2 Years	Reference Pge
1	Engine Oil	Checking	✓								G-6
		Changing		✓	✓						G-7
2	Oil Strainer	Cleaning		✓	✓						G-7
		Checking	✓								G-6
3	Rubber Hoses & Clamp Bands	Checking	✓								G-10
		Changing								✓	G-10
4	Air Cleaner	Cleaning				✓ Once a year or after 6 cleanings					G-8
		Changing									G-10
5	Fuel Filter	Cleaning			✓						G-8
		Changing				✓					G-8
6	Valve Clearance	Checking					✓				G-9
7	Nozzle injection pressure and spraying condition	Checking						✓			G-9, 10
		Changing						✓			G-9, 10

## OIL / FUEL TYPE & QUANTITY - SPARK PLUG TYPE

Engine Model	Oil Type	Quantity (Ltr)	Fuel Type	Capacity (Ltr)	Spark Plug Type	Electrode Gap (mm)
Honda GX340 Petrol	SAE 10W-40	1.1	Unleaded	6	BM6ES or BPR6ES	0.7 - 0.8
Kubota OC60 Diesel	SAE 30	1.0	Diesel	3.6	N/A	N/A

## GEAR BOX

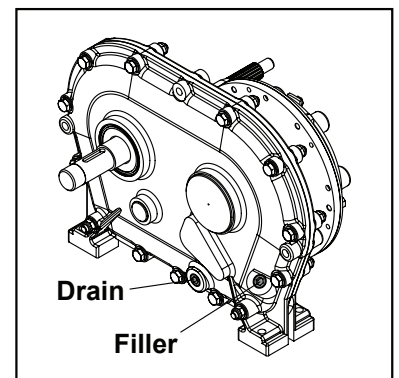
The Aluminium gearbox is situated under the cover on the right hand side of the machine.

Check oil level regularly, this should touch the end of the filler plug.

Change oil every year.

Oil type:- EP90 GEAR OIL

Oil Qty:- 300ML



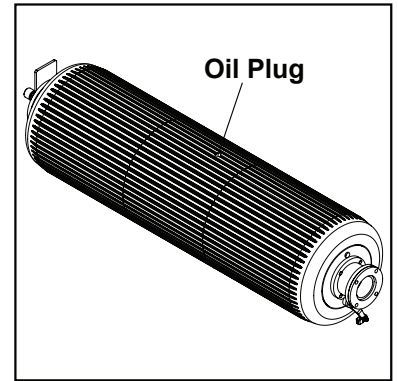
## REAR ROLLER

The rear roller is split into 3-sections incorporating a differential gear system running in an oil bath.

Change oil every 6-months

Oil Type:-EP90 GEAR OIL

Oil Qty:- 568ML



## DRIVING CHAINS

The rear roller and the cylinder are chain driven from the gearbox. These are located under the cover on the right hand side plate. Running the machine with improperly adjusted chains will cause rapid wear to both chains and sprockets.

To adjust the chain tension, slacken the nuts on the nylon tensioner assembly and rotate the disc until there is only 3/8" (10mm) slack on the lower side of the chain. Once correct tension is achieved re-tighten the assembly nut.

Chains should be kept greased at all times.

## CLUTCHES

Identical clutches are fitted for the engagement of the rear roller and cylinder. It is essential that in the engaged position, a clearance of 1/10" (2.5mm) is maintained between the graphite release bearing and the toggle lever plate. If the clearance becomes abnormally large the clutch will drag, but if too small slip will result.

For adjustment purposes on the each clutch there is provided a spherical nut at the end of the transverse operating rods. This nut should be turned (1/2" [13mm] spanner) to give the correct clearance whilst the clutch is in position. Re-tighten the locking nut after adjustment.

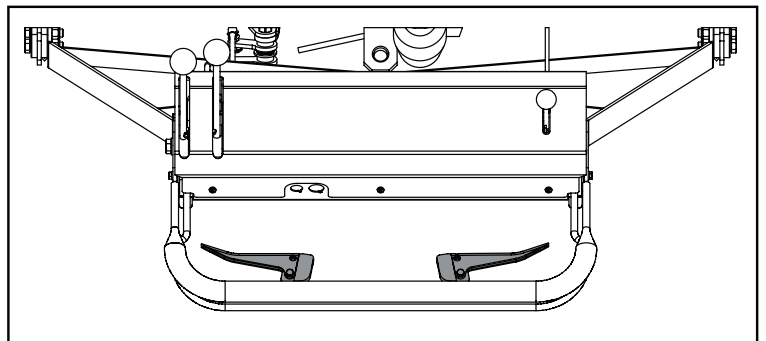
## BRAKE STEER

The hand grips on the handle bars operate heavy duty boden cables. These in turn operate a drum brake system, the rear outer roller castings working as the drum.

Two adjusters are provided on the cable to facilitate adjustment.

Allow plenty of free play on the cables as only a small amount of pull travel is required. Having the cables adjusted too tightly will cause the machine to turn very quickly making operations difficult.

Do not under any circumstances wash the machine down with high pressure washers as water may penetrate the brake drum and cause damage.



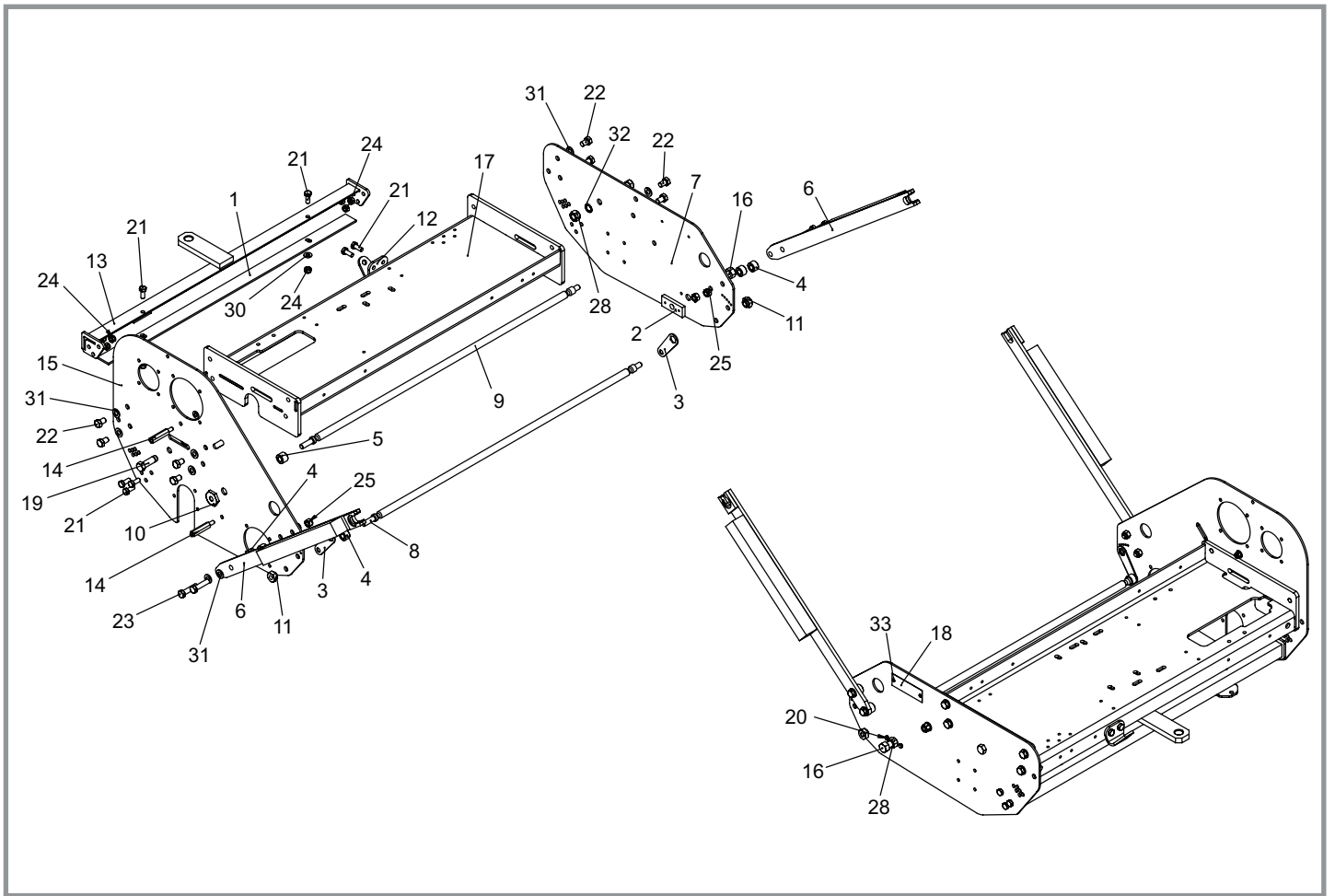
To minimise cable friction, we have used nylon lined cable to keep these lubricated apply light oil to cable inners using an oil can. To ease this operation remove cables from handle bar controls and hold vertically when applying oil to inner cable. We suggest during heavy usage this is carried out weekly.

## Storage

The machine should always be kept in a clean dry place, free from condensation. After use ensure that the machine is thoroughly clean, dry and free from grass and mud. Before off season storage smear a thin layer of grease on to the cutter blades and the shear blade.

Under no circumstances must the machine be steam cleaned as this may remove grease from the pre packed bearings.

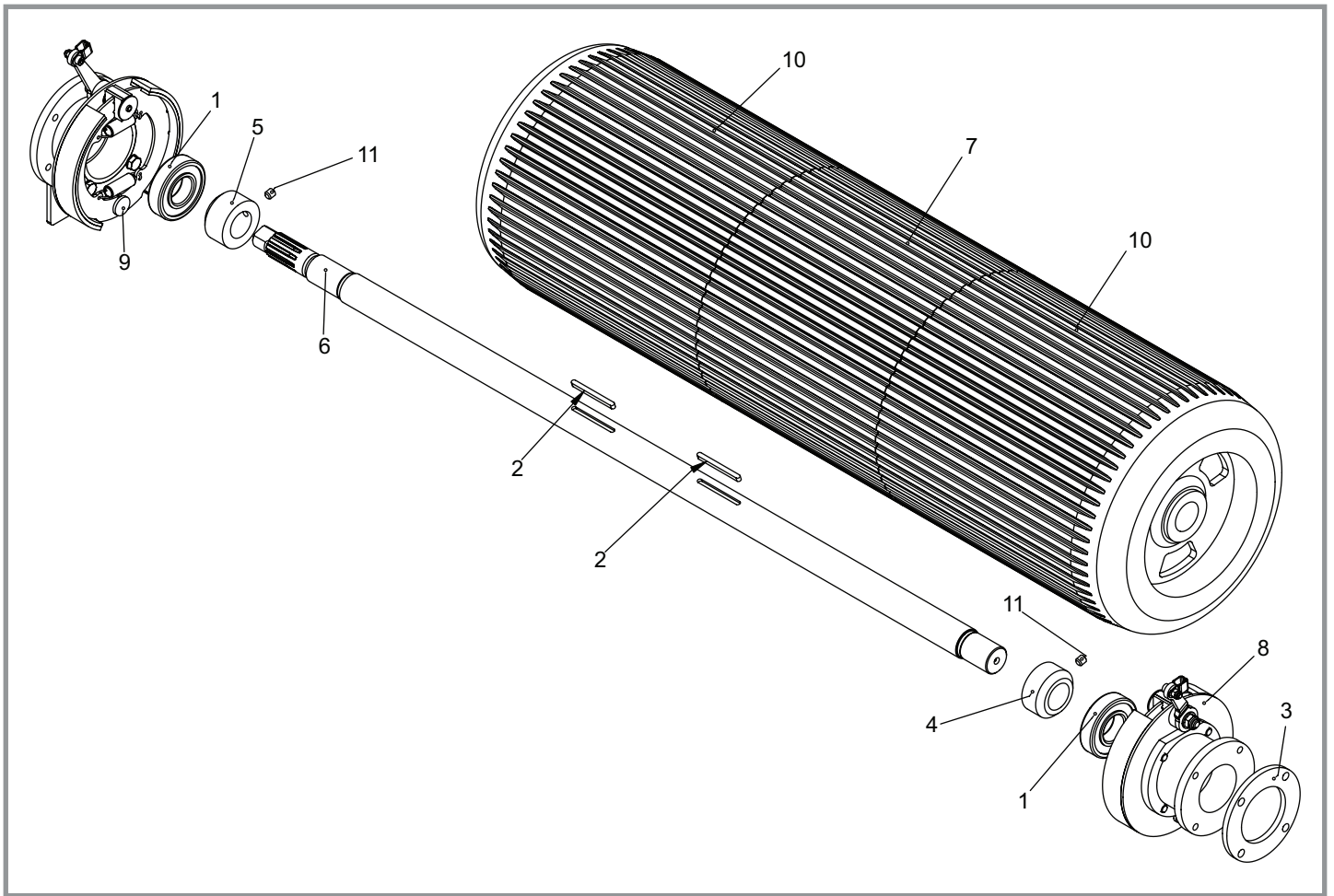
Because of the nature of lead free petrol we recomend that if the machine is being left unused for more than 2 weeks the carburetor is run dry. Allow the engine to run out of fuel with the fuel tap switched off.



# 1.01

# Chassis

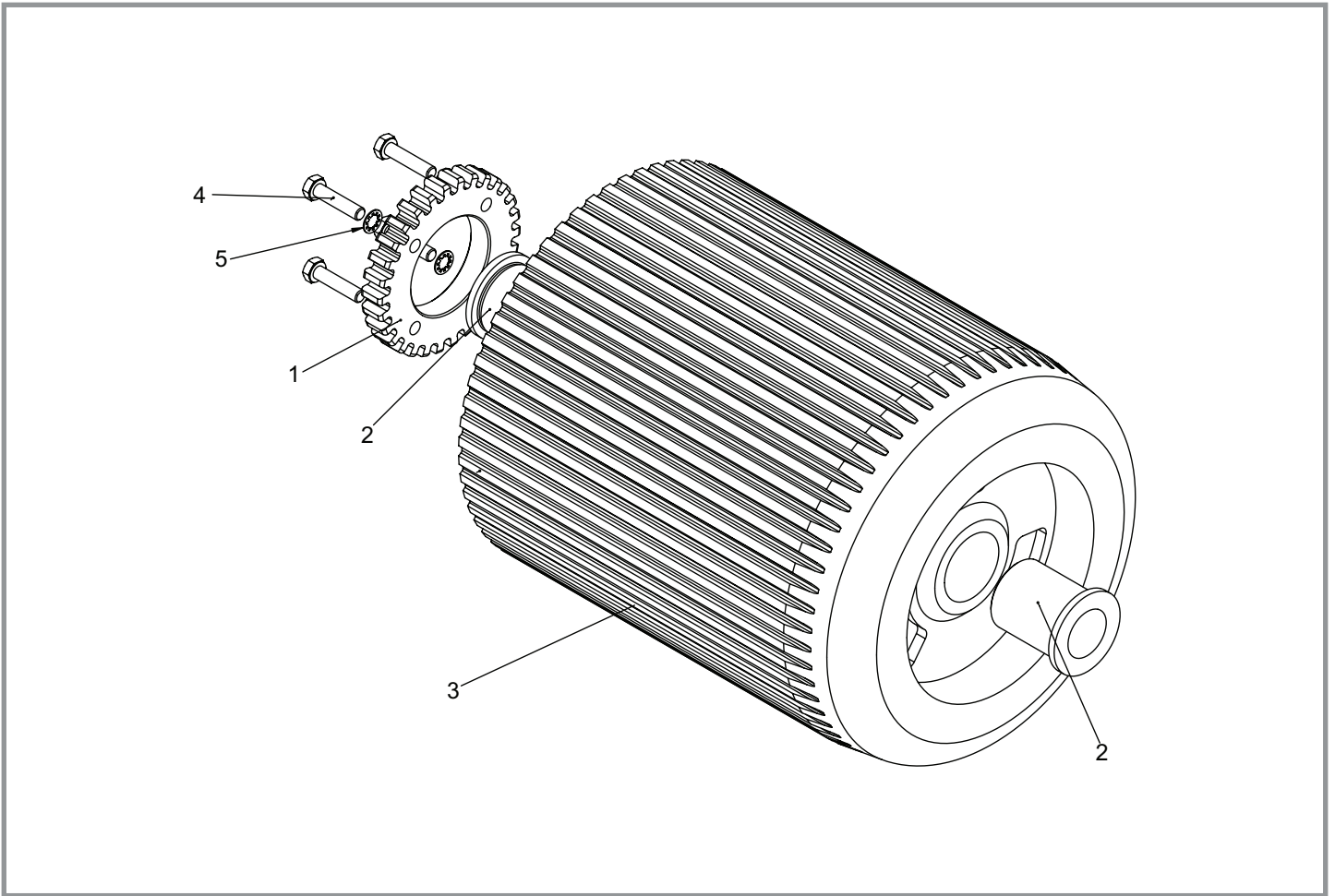
Item No.	Part No.	Description	Quantity	Item No.	Part No.	Description	Quantity
1	146328	30" Scraper Bar	1	32	SP03030	Washer M12 Toothed	2
1	146330	36" Scraper Bar	1	33	SP05001	Rivet 4.8 x 10	2
2	171885	Cassette Thrust Plate	1				
3	176474	Locking Strip	2				
4	176475	Front Bar Spacer	5				
5	176476	Rear Bar Spacer	1				
6	185641	Side Arms Grass Box	2				
7	185876	Side Plate L.H.	1				
8	186085	30" Cross Bar Front	1				
8	186086	36" Cross Bar Front	1				
9	186088	30" Cross Bar Rear	1				
9	186089	36" Cross Bar Rear	1				
10	186326	Crossbar Nut	1				
11	186327	Roller Adjuster Nut	2				
12	186393	Bell Crank Support Bracket	1				
13	187725	30" Tow Bar W.A.	1				
13	187726	36" Tow Bar W.A.	1				
14	208321	Chain Case Stud	2				
15	212043	Side Plate Premier R.H.	1				
16	229394	Cassette Bolt	1				
17	230320	30" Engine Bed Premier	1				
17	230090	36" Engine Bed Premier	1				
18	J20297	Serial Number Plate	1				
19	MD965	5/8" Cable Locator	2				
20	SP01028	Hex Set Screw M6 x 20	2				
21	SP01035	Hex Set Screw M10 x 25	10				
22	SP01060	Hex Set Screw 1/2" UNF x 3/4"	8				
23	SP01082	Hex Set Screw M12 x 50	4				
24	SP02008	Nut M10 Nyloc	10				
25	SP02010	Nut M12 Nyloc	4				
26	SP02018	Nut 3/8" UNF Nyloc	2				
27	SP02020	Nut 1/2" UNF Nyloc	1				
28	SP02037	Nut 5/8" UNF Std	3				
29	SP03002	Washer 3/8"	2				
30	SP03011	Washer M10 Form A	2				
31	SP03012	Washer M12 Form A	13				



## 2.01

## Rear Roller - Main Assembly

Item No.	Part No.	Description	Quantity
1	065824	Bearing RLS9-2RS	2
2	089575	Key 3/16" x 3/16" x 2 1/4" RD End	2
3	176507	Spacer Plate	1
4	185660	Locking Collar (Small)	1
5	185662	Locking Collar	1
6	185698	30" Rear Roller Shaft	1
6	185699	36" Rear Roller Shaft	1
7	See 2.03	Centre Roller Assy	1
8	See 2.04	Brake Assy L.H.	1
9	See 2.05	Brake Assy R.H.	1
10	See 2.02	Rear Roller Outer	2
11	J20467	Grub Screw M8 x 8	2

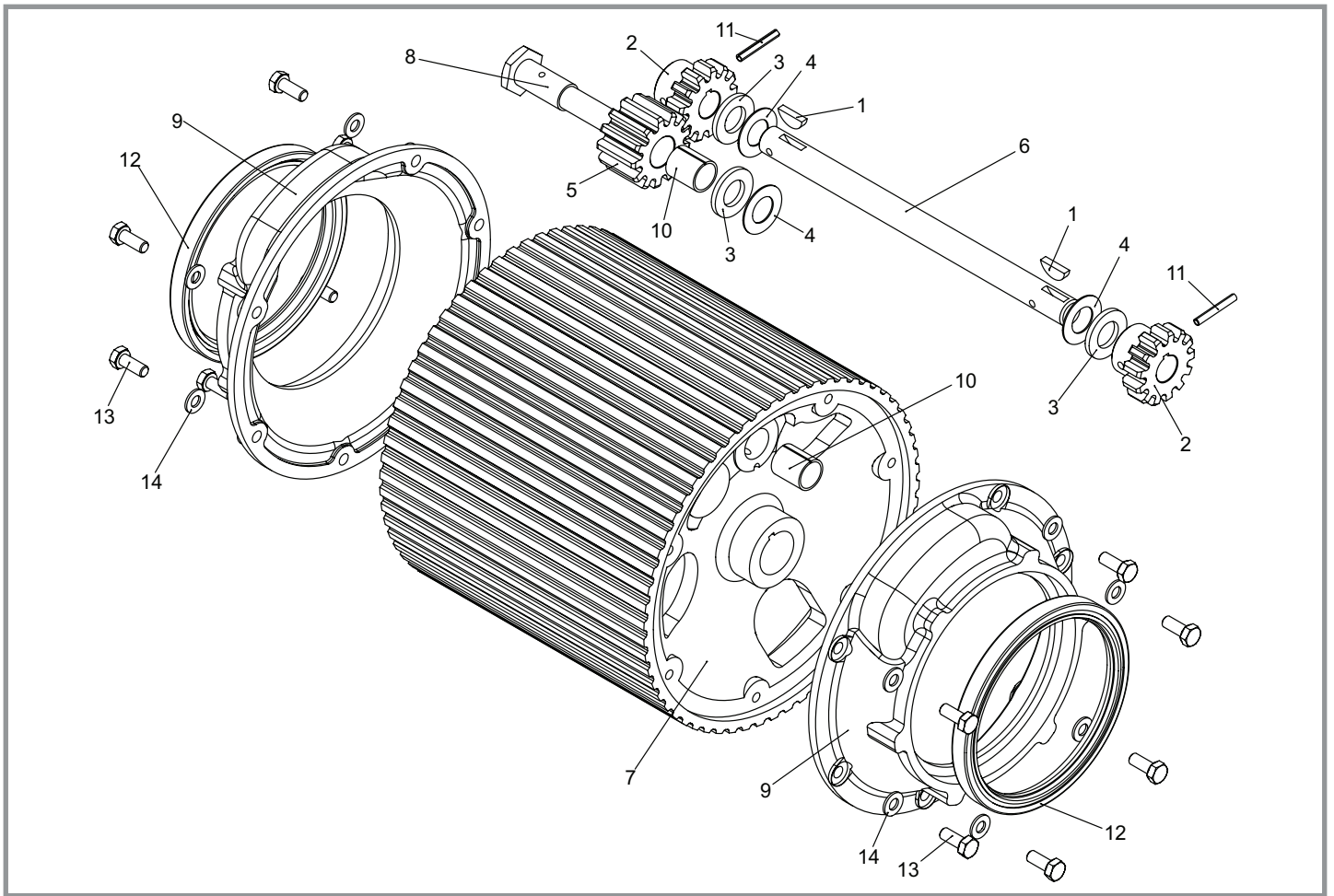


## 2.02

## Rear Roller - Outer Assembly

Item No.	Part No.	Description	Quantity
1	052601	Gear Differential Wheel	1
2	158374	Rear Roller Bush	2
3	171660	30" Outer Roller	1
3	171661	36" Outer Roller	1
4	SP01036	Hex Set Screw M8 x 35	4
5	SP03004	Washer M8 Toothed	4

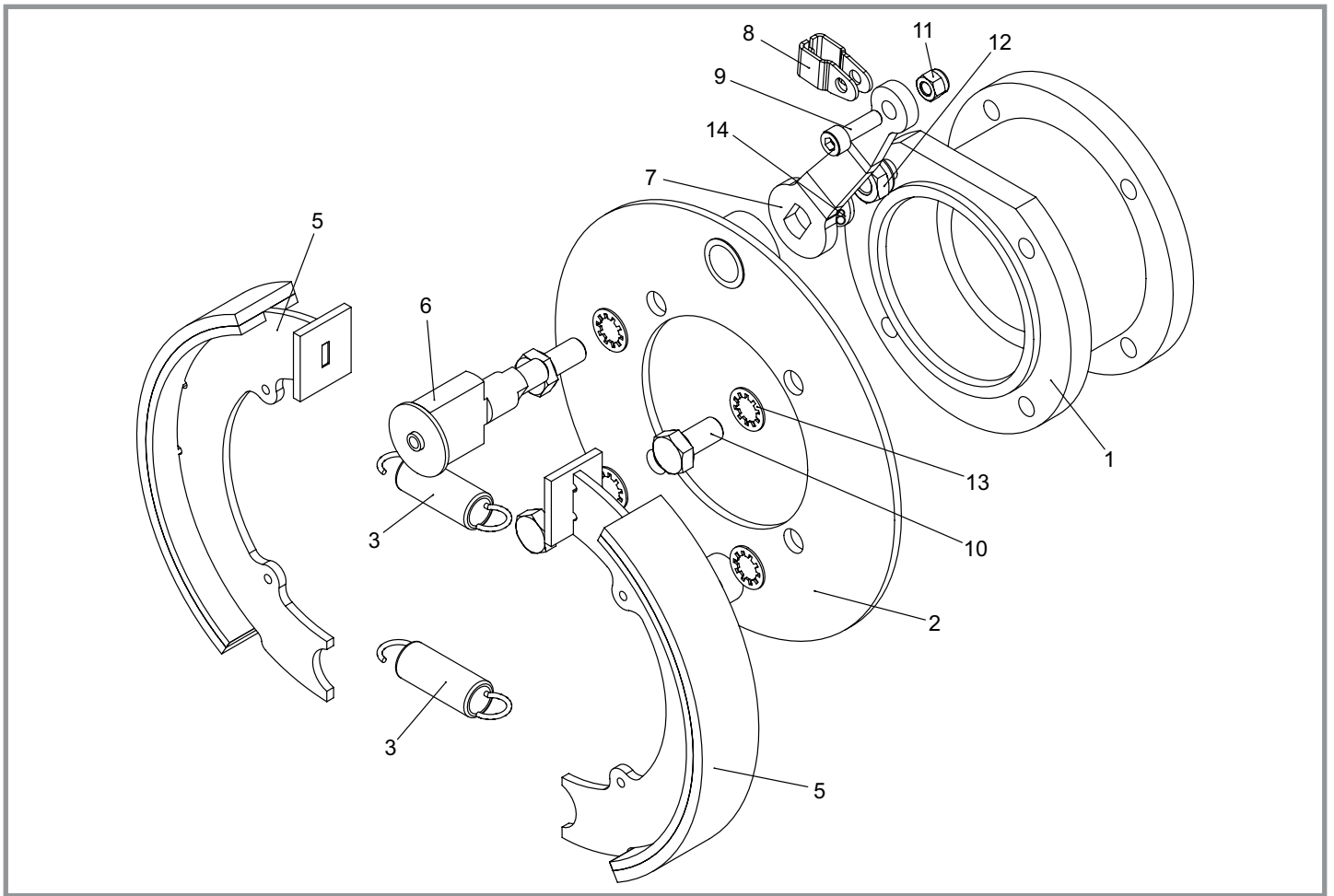




## 2.03

## Rear Roller - Centre Assembly

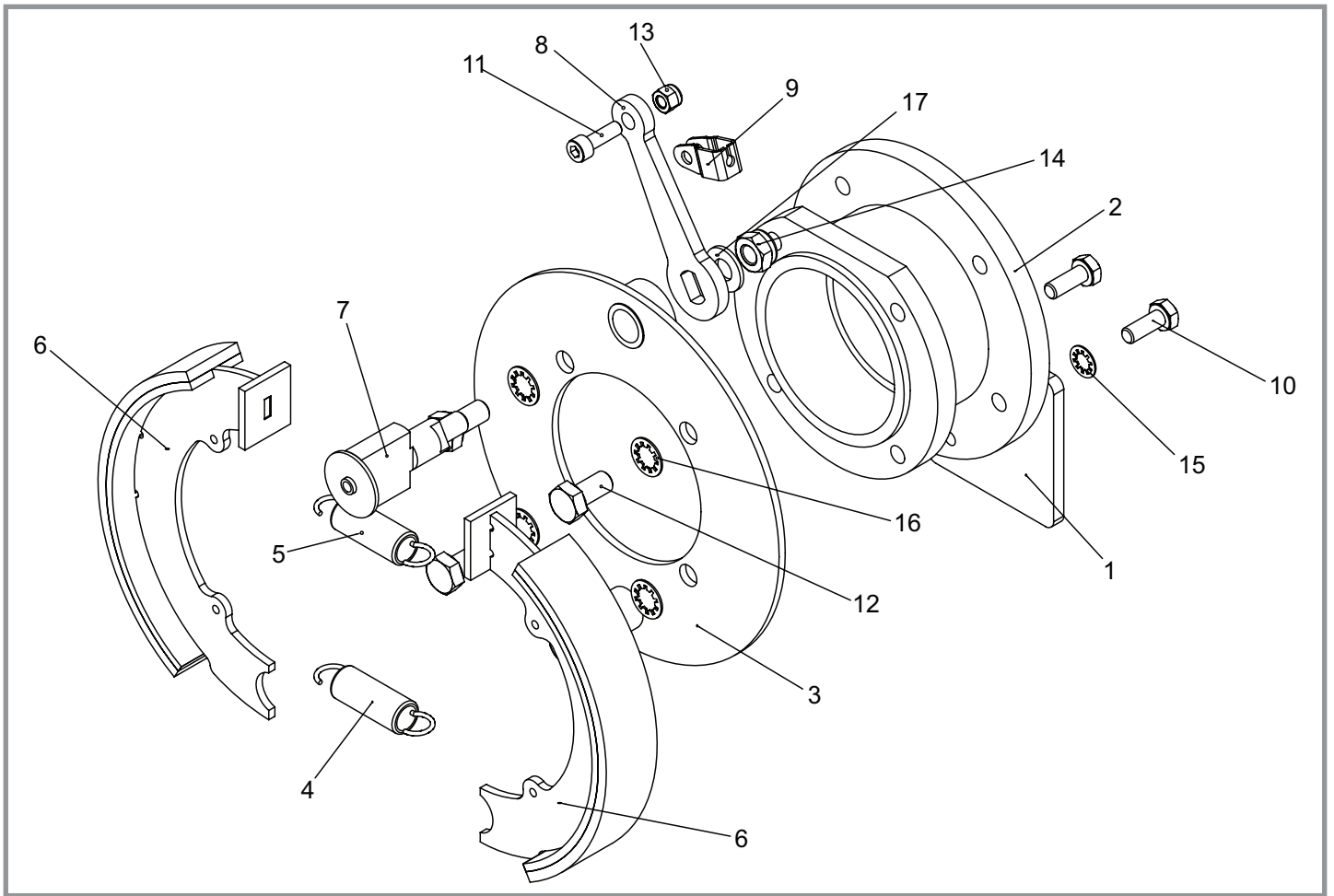
Item No.	Part Number	Description	Quantity
1	016386	Key Woodruff 3/16" x 7/8"	2
2	052602	Gear Differential Pinion	2
3	158356	Thrust Washer Soft	3
4	158357	Washer Thrust Hard	3
5	158372	Gear Diff Double Pinion	1
6	158373	Shaft Differential Pinion	1
7	185664	Centre Roller Prem	1
8	185665	Pivot Differential Pinion	1
9	185666	Oil Seal Housing	2
10	601620	Bush 12DU 16	3
11	603174	Pin Spirol M5 x 35	2
12	604249	Seal Rear Roller (Prem)	2
13	SP01009	Hex Set Screw M8 x 20	12
14	SP03008	Washer M8 Form A	12



## 2.04

## Rear Roller - LH Brake Assembly

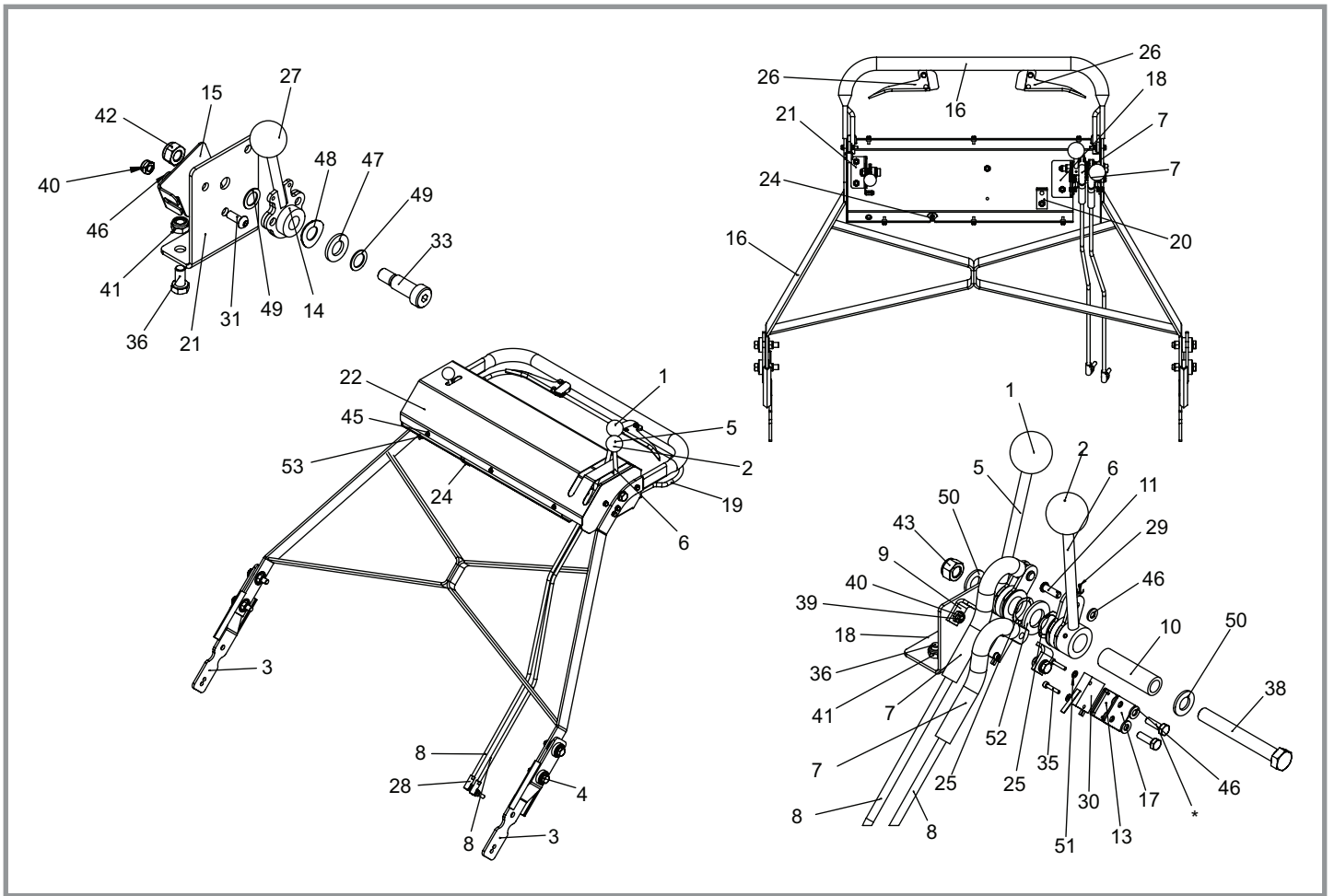
Item No.	Part No.	Description	Quantity
1	185437	Brg Housing Rear Roller L.H.	1
2	MD961	Brake Plate 6"	1
3	SP13004	Spring Brake Steer	2
5	MD964	Brake Shoe	2
6	MD967	Brake Cam L.H.	1
7	MD969	Brake Lever L.H.	1
8	MD971	Cable Shackle (B Steer)	1
9	SP01043	Cap Head M5 x 16	1
10	SP01086	Hex Set Screw 5/16" UNF x 5/8"	4
11	SP02002	Nut M5 Nyloc	1
12	SP02006	Nut M8 Nyloc	1
13	SP03004	Washer M8 Toothed	4
14	SP03008	Washer M8 Form A	1



## 2.05

## Rear Roller - RH Brake Assembly

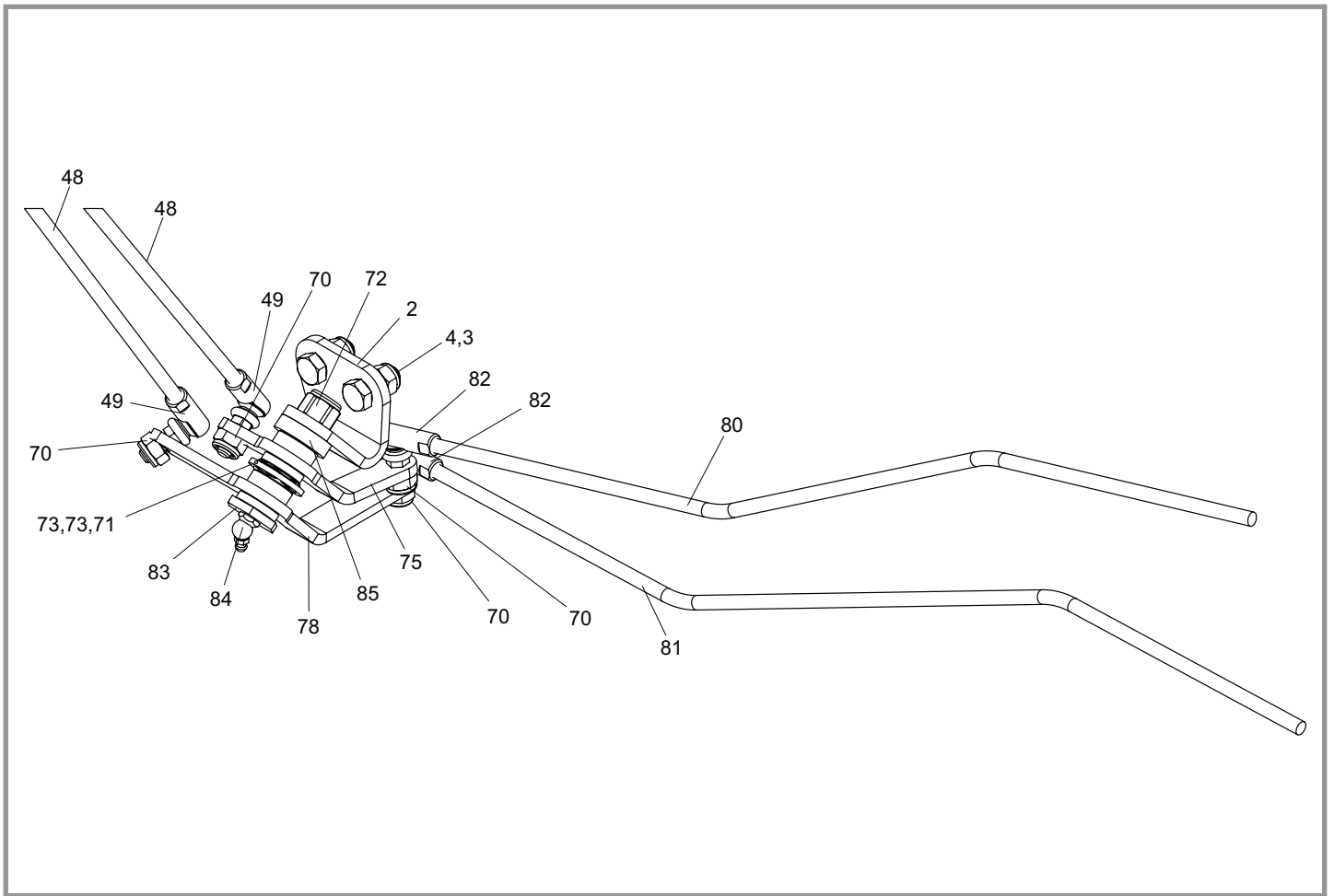
Item No.	Part No.	Description	Quantity
1	176370	Cover Plate	1
2	185436	Brg Housing Rear Roller R.H.	1
3	MD961	Brake Plate 6"	1
4	MD962	Spring Brake Steer (Heavy)	1
5	MD963	Spring Brake Steer (Light)	1
6	MD964	Brake Shoe (Prem)	2
7	MD968	Brake Cam R.H.	1
8	MD970	Brake Lever R.H.	1
9	MD971	Cable Shackle (B Steer)	1
10	SP01008	Hex Set Screw M6 x 16	2
11	SP01043	Cap Head M5 x 16	1
12	SP01086	Hex Set Screw 5/16" UNF x 5/8"	4
13	SP02002	Nut M5 Nyloc	1
14	SP02006	Nut M8 Nyloc	1
15	SP03003	Washer M6 Toothed	2
16	SP03004	Washer M8 Toothed	4
17	SP03008	Washer M8 Form A	1



### 3.01

### Handle

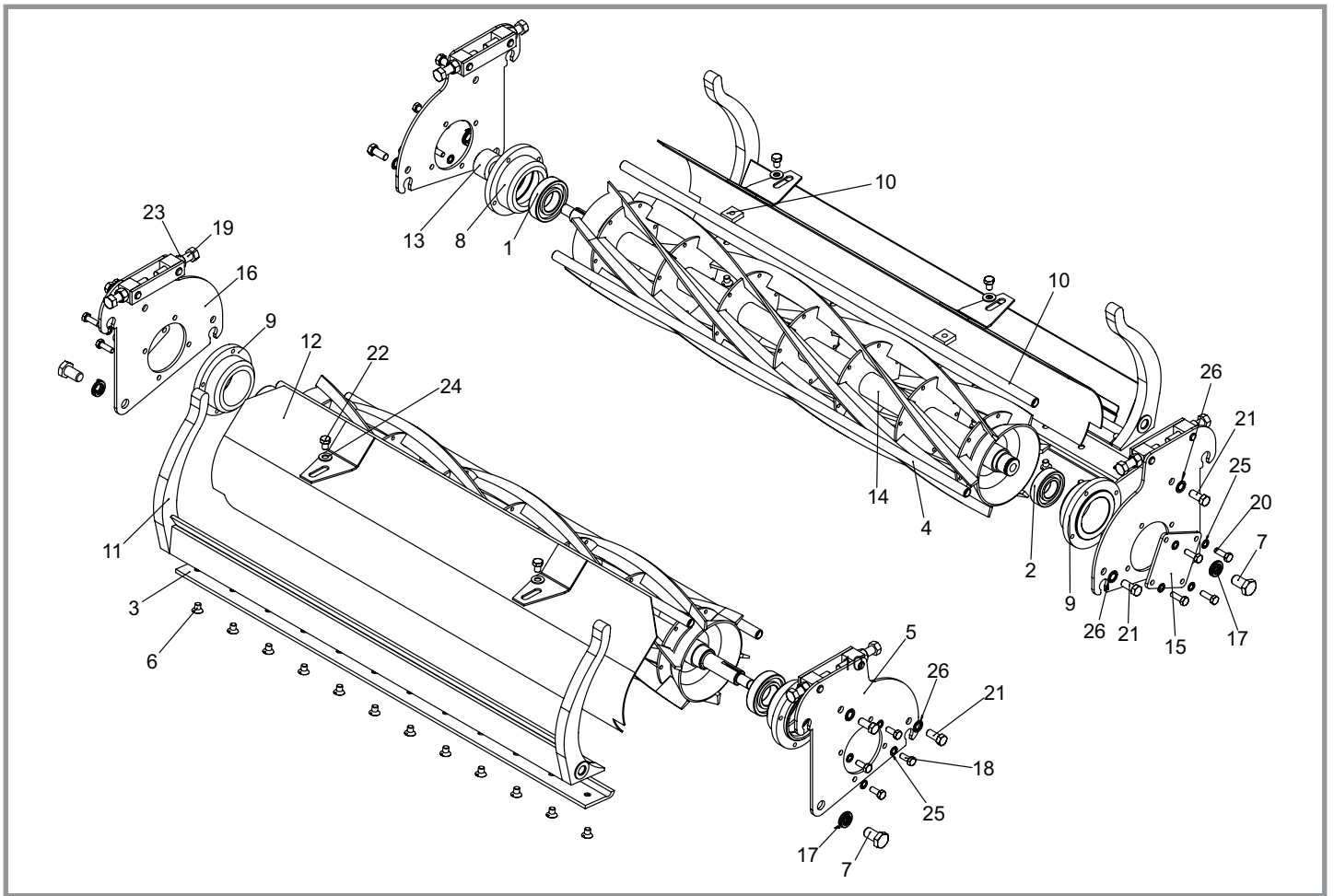
Item No.	Part No.	Description	Quantity	Item No.	Part No.	Description	Quantity
1	127434	Red Knob M10	1	36	SP01076	Hex Set Screw M8 x 16	6
2	176457	Black Knob M10	1	37	SP01082	Hex Set Screw M12 x 50	4
3	178400	Handle Bracket Assy	2	38	SP01087	Hex Bolt 1/2" UNF x 4"	1
4	178403	Void Bush	4	39	SP01088	Hex Set Screw M6 x 12	4
5	185454	Cutter Clutch Lever	1	40	SP02004	Nut M6 Nyloc	11
6	185455	Roller Clutch Lever	1	41	SP02006	Nut M8 Nyloc	6
7	185458	Clutch Rod Fork End	2	42	SP02008	Nut M10 Nyloc	1
8	186391	Upper Linkage Rod	2	43	SP02010	Nut M12 Nyloc	5
9	186415	Clutch Lever Stop	2	44	SP03007	Washer M6 x 18	2
10	186981	Operating Lever Collar	1	45	SP03009	Washer M5 Form A	6
11	192749	Clevis Pin 1/4" x 3/4"	2	46	SP03010	Washer M6 Form A	8
12	228015	Grommet PV37BLK	1	47	SP03012	Washer M12 Form A	3
13	229222	Switch Retainer	3	48	SP03019	Washer M12 Wave	1
14	230190	Throttle Lever W.A.	1	49	SP03020	Shim 12 x 18 x 1	2
15	230197	Cable Plate	1	50	SP03024	Washer 1/2"	2
16	260099	30" Handle W.A.	1	51	SP03028	Washer M3 (SS)	6
16	260100	36" Handle W.A.	1	52	SP03031	Washer M18 Form A	1
17	260106	Micro Switch Bracket	2	53	SP04001	Screw M5 x 16 Slotted	6
18	260107	Support Plate	1	<b>NOT SHOWN</b>			
19	260112	Bale Bar W.A.	1	-	260132	Wiring Harness Kubota	1
20	260113	Relay Bracket	1	-	SP12009	Wiring Harness Honda	1
21	260118	Throttle Bracket	1	-	SP12001	Throttle Cable Premier	1
22	260120	Console Cover	1	-	MD960	Brake Cable	2
23	260122	Bale Bar Pivot Bush	2				
24	260139	Grommet PV271A	1				
25	260142	Washer M20 Wave	2				
26	607509	Brake Steer Lever	2				
27	J20017	Knob - Red	1				
28	J209019	Rod End	2				
29	J209021	Split Pin 1/16" x 1/2"	2				
30	-	Micro Switch [See Harness]	1				
31	SP01019	Button Head M6 x 16	1				
32	SP01028	Hex Set Screw M6 x 20	4				
33	SP01029	Shoulder Bolt 12 x 25 M10	1				
34	SP01054	Hex Set Screw M6 x 35	2				
35	SP01073	Cap Head M3 x 16 (Ss)	6				



### 3.02

### Handle Lower Rods

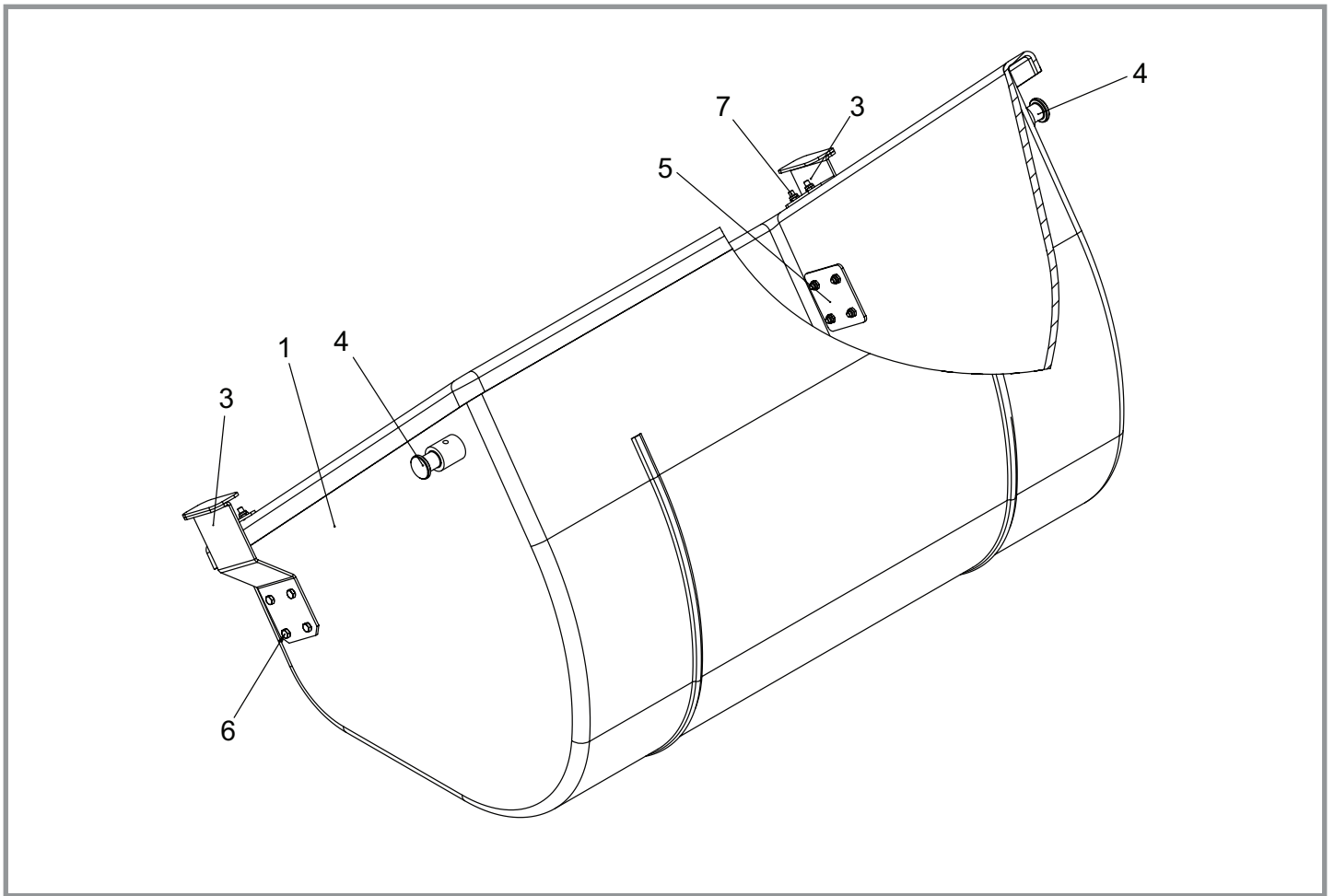
Item No.	Part No.	Description	Quantity
2	186393	Bell Crank Support Bracket	1
3	SP01035	Hex Set Screw M10 x 25	2
4	SP02008	Nut M10 Nyloc (T)	2
48	186391	Upper Linkage Rod	2
49	J209019	Rod End R108g 5/16 UNF	2
70	SP02035	Nut 5/16" Nyloc (T)	4
71	SP03036	Washer 3/4" Heavy Gauge	1
72	SP02036	Nut 1/2" UNF Nyloc (P)	1
73	260142	Washer M20 Wave	2
75	186573	Bell Crank Lever For Cutter	1
78	186395	Bell Crank Lever For Roller	1
80	186410	Clutch Drive Lower Linkage Rod	1
81	186412	Roller Drive Lower Linkage Rod	1
82	J209019	Rod End R108g 5/16 UNF	2
83	186394	Pivot Pin Double Bell Crank	1
84	600199	Grease Nipple 45 Deg 1/8" BSP T	1
85	210127	Cutter Cylinder Drive Collar	1



## 4.01

## Cutting Unit

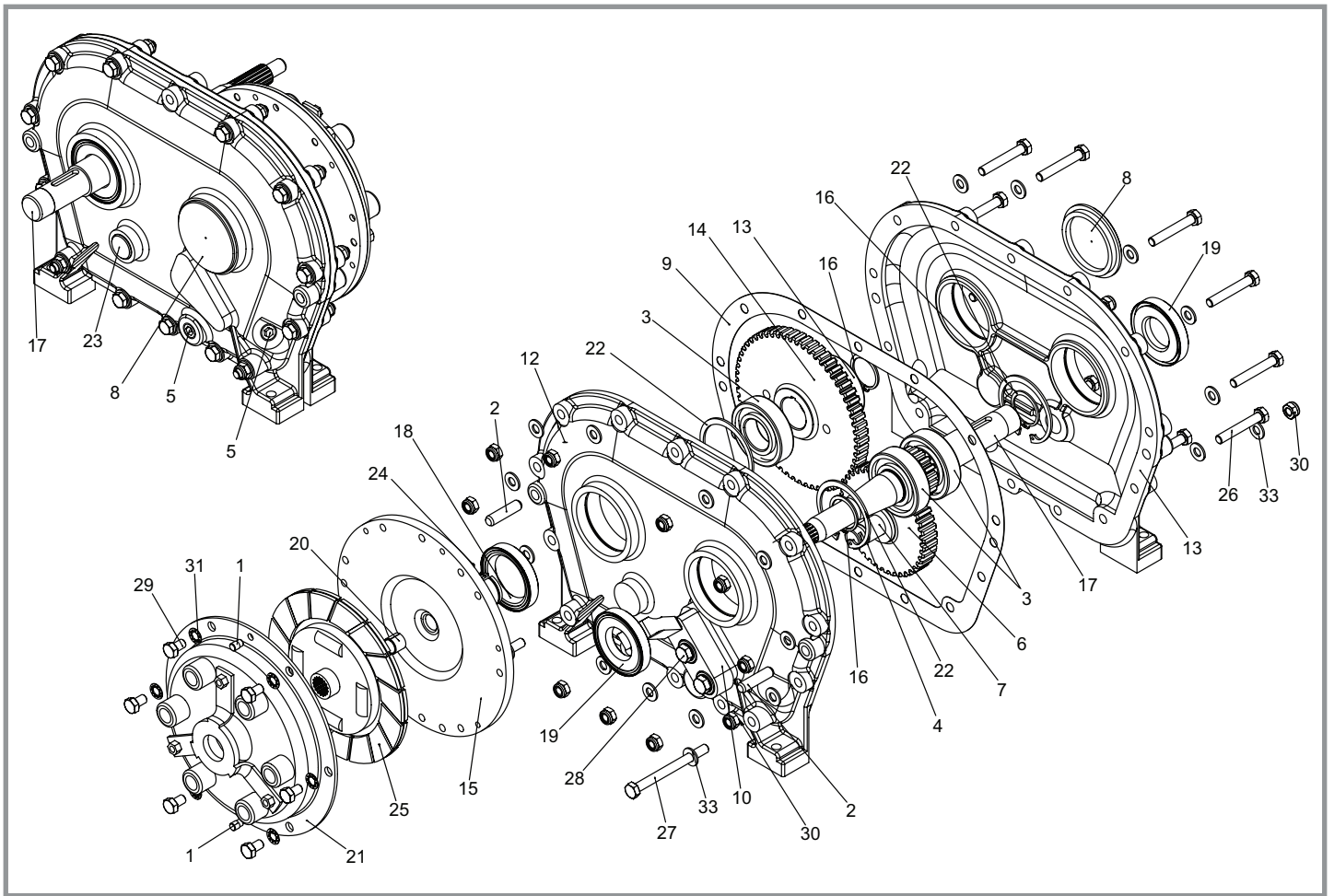
Item No.	Part No.	Description	Quantity
1	062276	Bearing 6207-2RS 3	1
2	065696	Bearing 6206-2RS 3	1
3	067171	30" Shear Blade Lipped	1
3	086792	36" Shear Blade Lipped	1
4	171697	30" Pivot Bar	1
4	171698	36" Pivot Bar	1
5	185369	Cassette Side Plate R.H. W.A.	1
6	185378	Screw 3/8" x 1/2" UNF	12 [36"]
6	185378	Screw 3/8" x 1/2" UNF	10 [30"]
7	185379	5/8" Unf Hex Screw	2
8	185384	Brg Housing R.H. Cutter	1
9	185385	Brg Housing L.H. Cutter	1
10	185413	30" Pivot Bar (Deflector)	1
10	185423	36" Pivot Bar (Deflector)	1
11	185414	30" Shear Blade Carrier W.A.	1
11	185424	36" Shear Blade Carrier W.A.	1
12	185417	30" Deflector Plate W.A.	1
12	185427	36" Deflector Plate W.A.	1
13	214964	Shaft Spacer	1
14	214969	30" Cylinder 6 Blade	1
14	214970	36" Cylinder 6 Blade	1
14	230277	36" Cylinder 8 Blade	1
15	219665	End Plate	1
16	219666	Cassette Side Plate L.H. W.A.	1
17	604760	Thackery Washer	2
18	SP01009	Hex Set Screw M8 x 20	4
19	185371	Hex Set Screw 1/2" UNF x 3"	4
20	SP01045	Hex Set Screw M8 x 25	4
21	SP01089	Hex Set Screw 7/16" UNF x 1"	4
22	SP01090	Hex Set Screw 3/8" UNF x 1/2"	2
23	SP02016	Nut 1/2" UNF	4
24	SP03002	Washer 3/8"	2
25	SP03004	Washer M8 Toothed	8
26	SP03025	Washer 7/16" Toothed	4



## 5.01

## Grassbox

Item No.	Part No.	Description	Quantity
1	209025	30" Grass Box	1
1	209026	36" Grass Box	1
2	208897	Grass Box Bracket R.H.	1
3	208896	Grass Box Bracket L.H.	1
4	209030	Grass Box Pivot Bolt	2
5	208895	Back Plate	2
6	SP01028	Hex Set Screw M6 x 20	12
7	SP02004	Nut M6 Nyloc	12



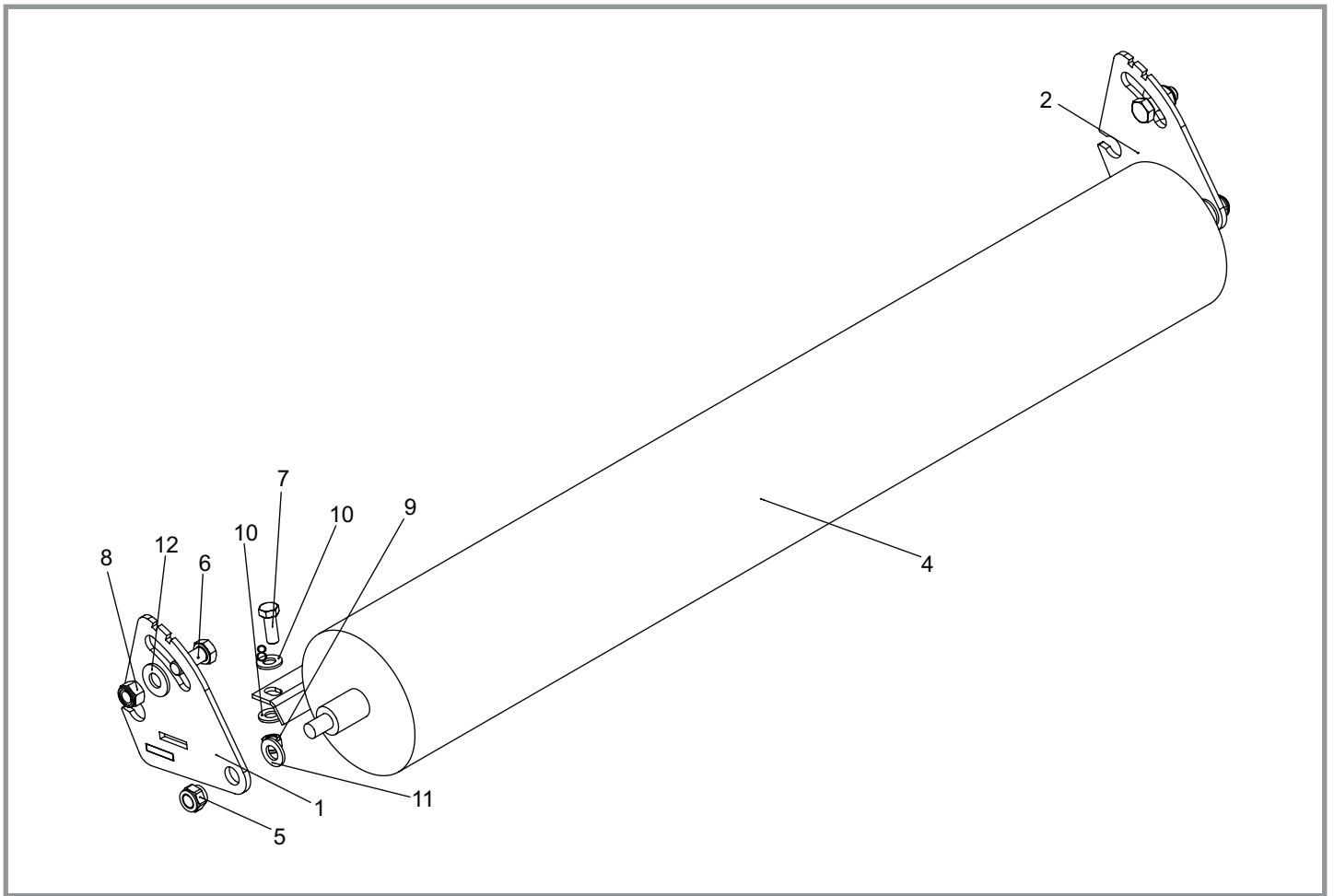
## 6.01

## Gearbox

Item No.	Part No.	Description	Quantity	Item No.	Part No.	Description	Quantity
1	001155	Clutch Pin	2	36	36770	Bearing BA1210Z	1
2	029342	Dowel 3/8" x 1 1/2"	2				
3	065696	Bearing 6206-2RS 3	4				
4	068633	Seal O Ring 9/16" x 3/32"	2				
5	171702	Grub Screw 3/8" BSPT	2				
6	176384	Gear Idler (Prem G'box)	1				
7	176388	Gear Spindle Idler	1				
8	176389	Gear Box Plug	1				
9	176393	Gearbox Paper Seal	1				
10	176494	Cutter Clutch Lever Bracket	1				
11	176503	Gearbox Thrust Washer	2				
12	186045	L.H. Gearbox Case	1				
13	186046	R.H. Gearbox Case	1				
14	186047	Gear Driven	1				
15	186049	Universal Clutch Plate	1				
16	228090	Circlip D1400-0300	3				
17	186058	Drive Shaft (Kubota)	1				
17	230095	Drive Shaft (Honda)	1				
18	600505	Seal Single Lip 42 x 62 x 10	1				
19	600585	Seal Single Lip 30 x 62 x 10	2				
20	601930	Bush 8DU08	1				
21	602722	Clutch Cover	1				
22	604692	Circlip D1300-0620	3				
23	605495	Plug	1				
24	J209029	Key 3/16" x 3/16" x 7/8" Rd End	1				
25	MD952	Clutch Plate	1				
26	SP01072	Hex Set Screw 5/16" UNF x 2"	11				
27	SP01084	Hex Set Screw 5/16" UNF x 3.5"	2				
28	SP01085	Hex Set Screw 3/8" UNC x 1.5"	2				
29	SP01091	Hex Set Screw 5/16" UNF x 1/2"	6				
30	SP02035	Nut 5/16" UNF Nyloc	13				
31	SP03004	Washer M8 Toothed	6				
32	SP03005	Washer M10 Toothed	2				
33	SP03008	Washer M8 Form A	26				
34	SP03011	Washer M10 Form A	2				
35	SP03017	Washer M12 Form C	1				



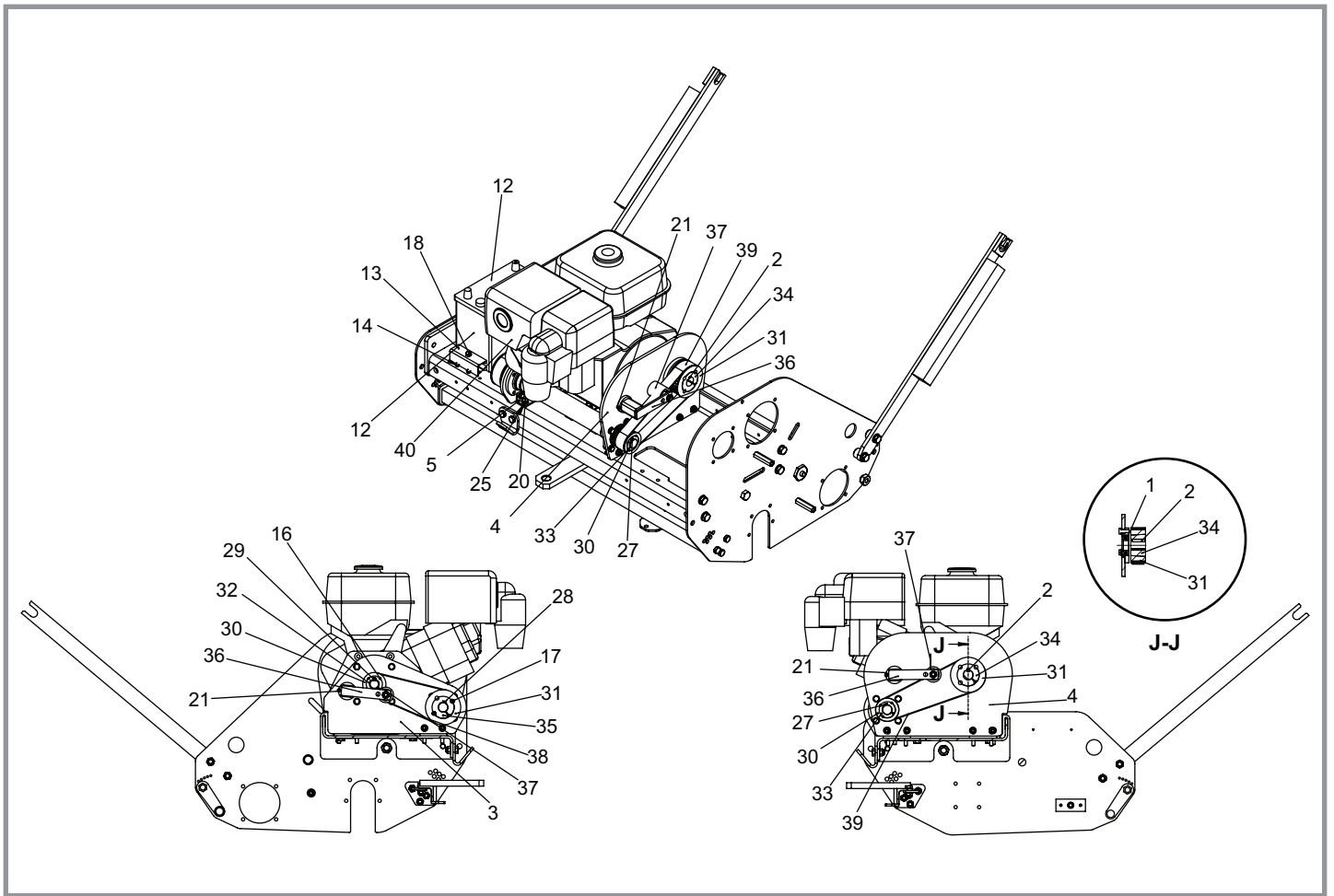




## 8.01

## Front Roller

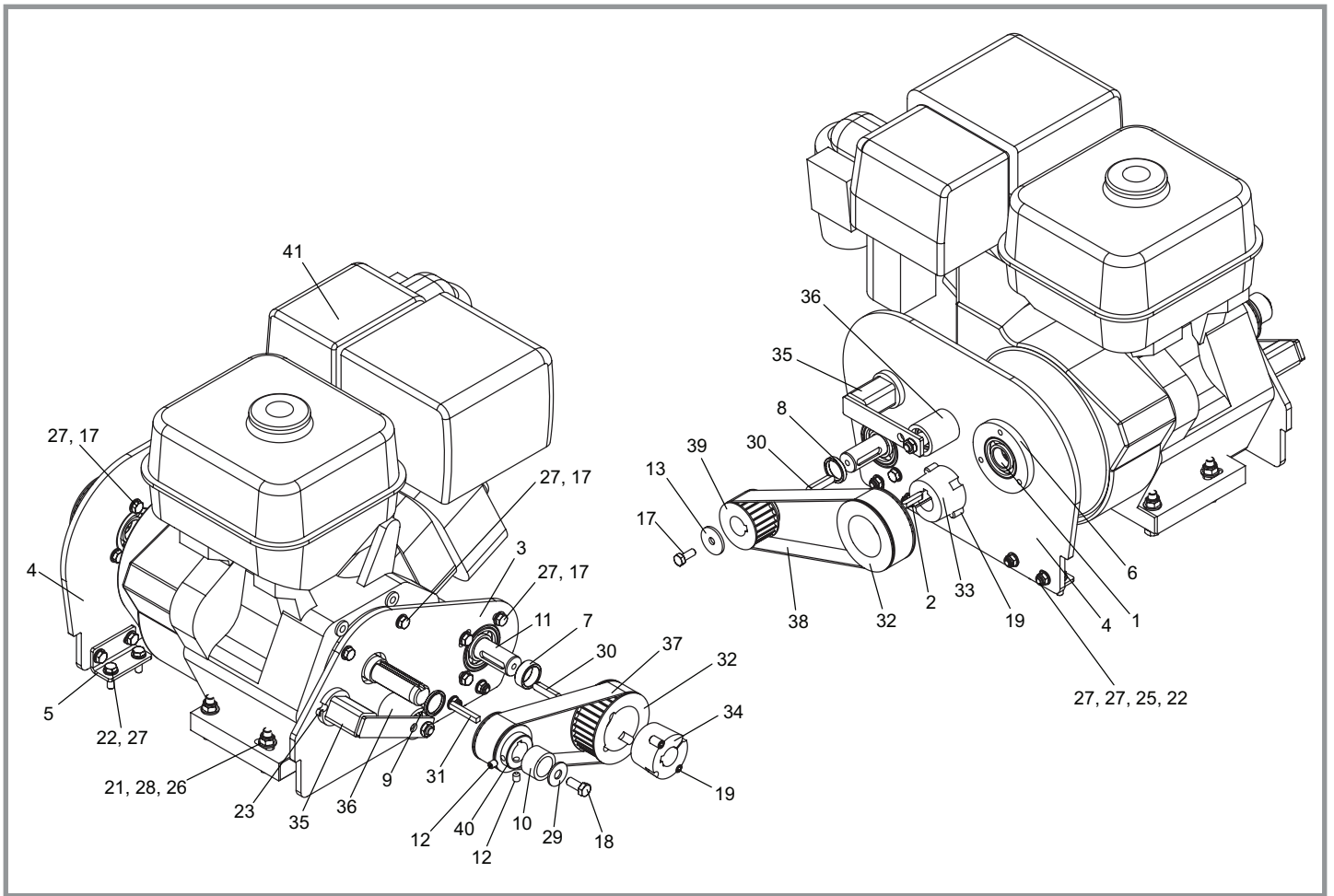
Item No.	Description	Part Number	Quantity
1	176402	Front Roller Brk Assy R.H. (STD)	1
2	176403	Front Roller Brk Assy L.H. (STD)	1
3	176411	30" Scraper Front Roller	1
3	176416	36" Scraper Front Roller	1
4	185880	30" Premier Front Roller	1
4	185883	36" Premier Front Roller	1
5	185885	Front Roller Special Nut (UNF)	2
6	SP01065	Hex Set Screw M12 x 30	2
7	SP01095	Hex Set Screw 3/8" UNF x 1"	2
8	SP02010	Nut M12 Nyloc	2
9	SP02018	Nut 3/8" UNF Nyloc	2
10	SP03002	Washer 3/8"	4
11	SP03012	Washer M12 Form A	2
12	SP03017	Washer M12 Form C	2



## 9.01A

## Honda Drive - Main Assembly > 10/2015

Item No.	Description	Part Number	Quantity
1		Bearing 6205-2RS 3	1
2		Key 1/4" x 1/4" x 1 1/4" Rd End	1
3		Drive Plate	1
4		G'box Guard	1
5		Bracket Honda Prem	3
11	See 1.01	Chassis Assy	1
12	MD407	Battery (015)	1
13	MD674	Battery Clamp	2
14	SP01008	Hex Set Screw M6 x 16	2
16	SP01017	Grub Screw M6 x 12	2
17	SP01018	Grub Screw M10 x 16	2
18	SP01022	Hex Set Screw M8 x 50	2
20	SP01045	Hex Set Screw M8 x 25	14
21	SP01081	Cap Head M5 x 12	2
25	SP03008	Washer M8 Form A	33
27	SP10001	Key 8 x 7 x 20 Rd End	1
28	SP10002	Key 8 x 7 x 40 Rd End	1
29	SP10003	Key 1/4" x 1/4" x 1 3/4" Sq End	1
30	SP11002	Pulley 22-8M-30 HT (Tapered)	2
31	SP11003	Pulley 34-8M-30 HTD (Tapered)	2
32	SP11004	Tapered Bush 1108 - 1"	1
33	SP11005	Tapered Bush 1108 - 25	1
34	SP11006	Tapered Bush 1615 - 1"	1
35	SP11007	Tapered Bush 1615 - 25	1
36	SP11008	Tensioner Arm SE15	2
37	SP11009	Tensioner Roller R18	2
38	SP11010	Belt Htd 600-8M-30	1
39	SP11011	Belt Htd 680-8M-30	1
40	SP15001	Engine Honda GX340U1 QXE4	1



## 9.01B

## Honda Drive - Main Assembly 10/2015 >

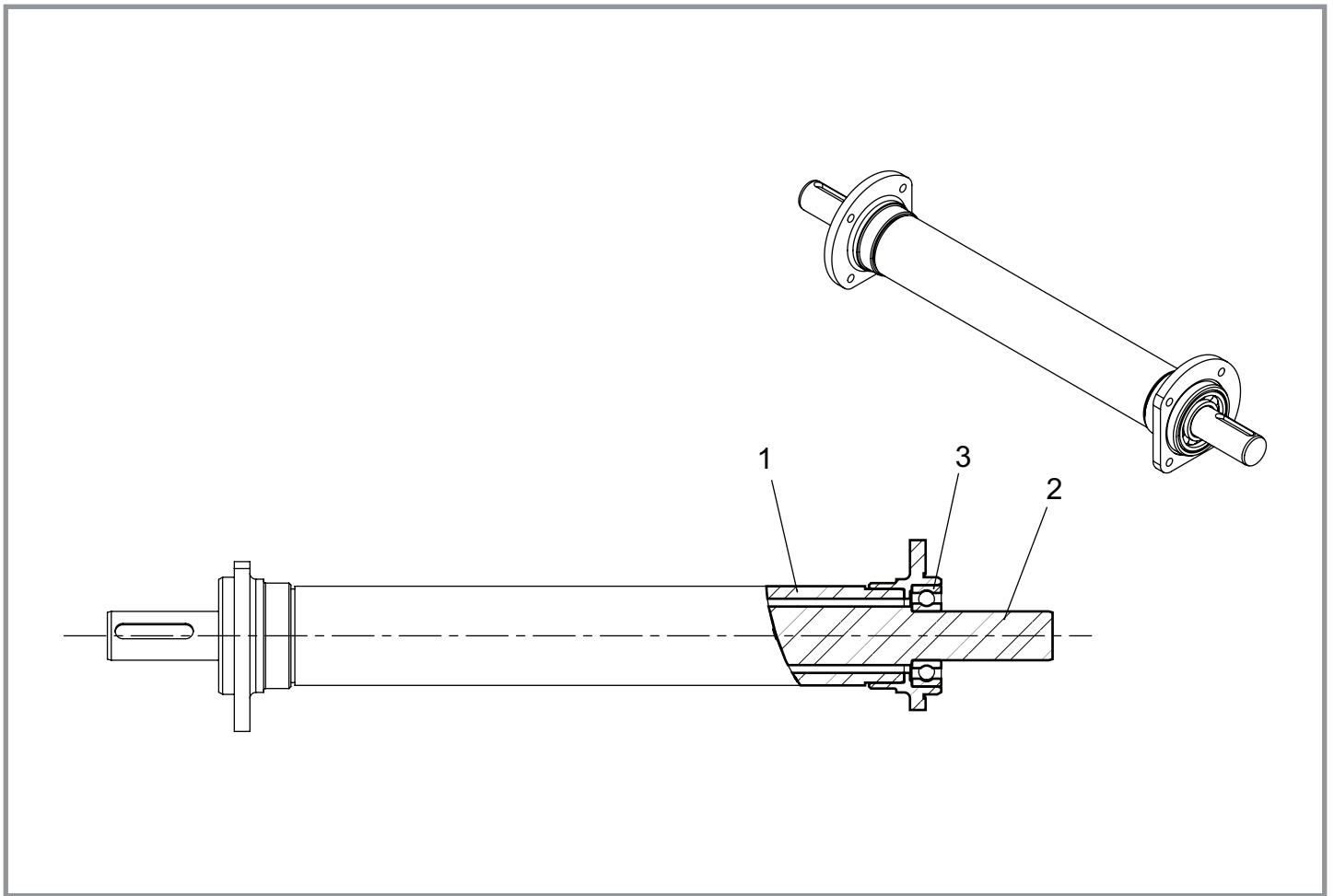
Item No.	Description	Part Number	Quantity	Item No.	Description	Part Number	Quantity
1	62662	Bearing 6205-2RS 3	1	37	SP11010	Belt HTD 600-8M-30	1
2	228049	Key 1/4" x 1/4" x 1 1/4" Rd End	1	38	SP11011	Belt HTD 680-8M-30	1
3	230065	Drive Plate	1	39	SP11040	Pulley 22-8M-30 HTD 25mm	1
4	230066	Gearbox Guard	1	40	SP11041	Pulley 22-8M-30 HTD 1"	1
5	230067	Bracket Honda Prem	3	41	SP15001	Engine Honda GX340U1 QXE4	1
6	230076	Bearing Housing (G'box Plate)	1				
7	230078	Spacer Layshaft Drive	1				
8	230086	Spacer Layshaft Short	1				
9	230087	Spacer Engine Shaft Short	1				
10	402125	Axle Spacer	1				
11	800193	Drive Assy	1				
12	D8153	Grub Screw M8 x 10	4				
13	J209249	Washer 9 x 35 x 3	1				
14	MD407	Battery (015)	1				
15	MD674	Battery Clamp	2				
16	SP01008	Hex Set Screw M6 x 16	2				
17	SP01009	Hex Set Screw M8 x 20	16				
18	SP01011	Hex Set Screw 3/8" Unf x 3/4"	1				
19	SP01018	Grub Screw M10 x 16	4				
20	SP01022	Hex Set Screw M8 x 50	2				
21	SP01031	Hex Set Screw M10 x 50	4				
22	SP01045	Hex Set Screw M8 x 25	14				
23	SP01081	Cap Head M5 x 12	2				
24	SP02004	Nut M6 Nyloc	2				
25	SP02006	Nut M8 Nyloc (T)	6				
26	SP02008	Nut M10 Nyloc (T)	4				
27	SP03008	Washer M8 Form A	33				
28	SP03011	Washer M10 Form A	4				
29	SP03018	Washer M10 Form G	1				
30	SP10002	Key 8 x 7 x 40 Rd End	2				
31	SP10003	Key 1/4" x 1/4" x 1 3/4" Sq End	1				
32	SP11003	Pulley 34-8M-30 HTD (Tapered)	2				
33	SP11006	Tapered Bush 1615 - 1"	1				
34	SP11007	Tapered Bush 1615 - 25	1				
35	SP11008	Tensioner Arm SE15	2				
36	SP11009	Tensioner Roller R18	2				

No Image Available

## 9.02

## Kubota Drive - Main Assembly

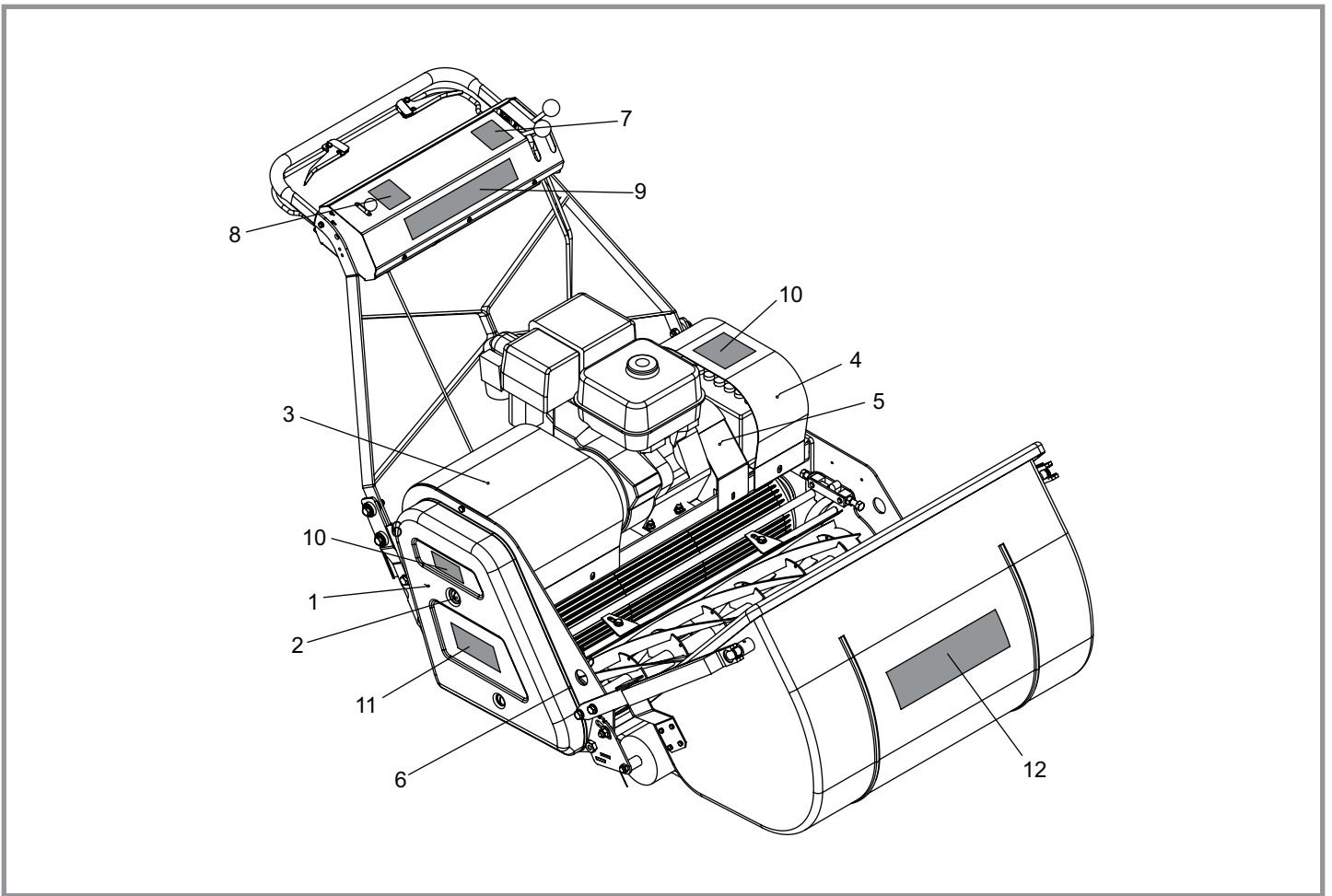
Item No.	Description	Part Number	Quantity
<b>NOT SHOWN</b>			
-	MD914	Engine Kubota OC60 (Diesel)	1
-	MD917	1" Diesel Engine Coupling	2
-	MD002	Coupling Element L110	1
-	228049	"Key 1/4" x 1/4" x 1 1/4" Rd End Gearbox Shaft"	1
-	MD919	"Key 1/4" x 1/4" x 1 3/4" Rd End Engine Shaft"	1



## 9.03

## Drive - Drive Assembly

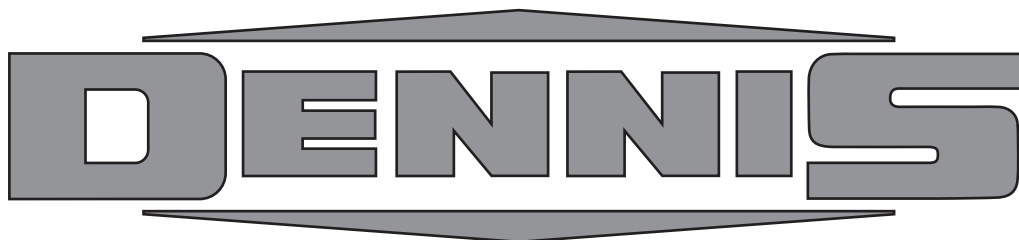
Item No.	Part No.	Description	Quantity
1	230070	Drive Tube Assembly	1
2	230075	Shaft Honda Drive	1
3	062662	Bearing 6205-2RS 3	2



## 10.01

## Guards & Decals

Item No.	Part No.	Description	Quantity
1	212400	Chain Case	1
2	194946	Chain Case Screw	2
3	186379	Gearbox Cover	1
4	MD675	Battery Cover	1
5	230080	Drive Guard (Honda Only)	1
6	228031	Chain Case Seal	1735mm
7	260125	Premier STD Decal	1
8	260140	Throttle Decal	1
9	J20362	Dennis Small Decal	1
10	B32903	Union Jack Decal	2
11	B32902	Medium Dennis Decal	1
12	B21309	Large Dennis Decal	1



**DENNIS**, Ashbourne Road, Kirk Langley, Derby, DE6 4NJ, United Kingdom

**Telephone:-** 01332 824777

**Fax:-** 01332 824 525

**E-mail:-** sales@dennisuk.com

**E-mail:-** spares@dennisuk.com

[www.dennisuk.com](http://www.dennisuk.com)